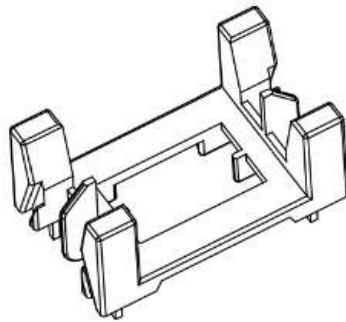
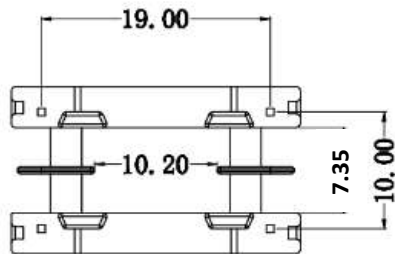
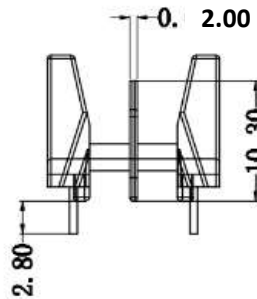
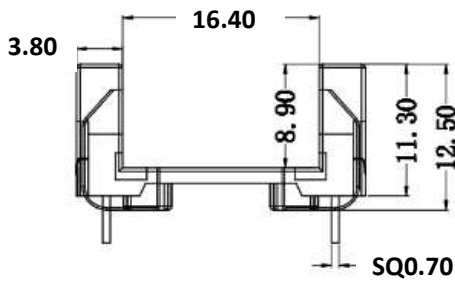
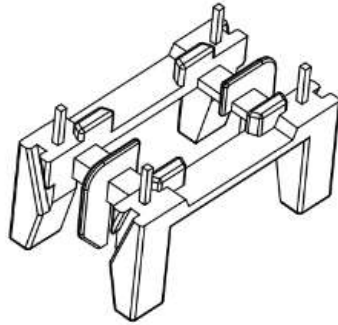
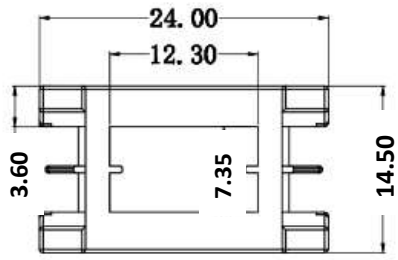




1.外形尺寸Outer Dimension(mm)



DRAWING	Mico Deng	TOLERANCE		MODEL	FK20 (2+2P)		
		0<X<4 ±0.1			ANGLE:	TITLE:	
CHECKED	CHEN SONGHUA	4<X<16 ±0.2		BASE			
		16<X<63 ±0.3		UNIT: MM		BASE MATERIAL	PM-9823
APPROVED		PIN PITCH ±0.2		SCALE: 1:1	PIN MATERIAL	CP Wire	
ACME Electronics Corporation					DATE:	04.12.01	UL 94V-0

CUSTOMER P/N	BASE FK20 (2+2P)
ACME P/N	AMAOT25504BX-W

版本号REV: 0