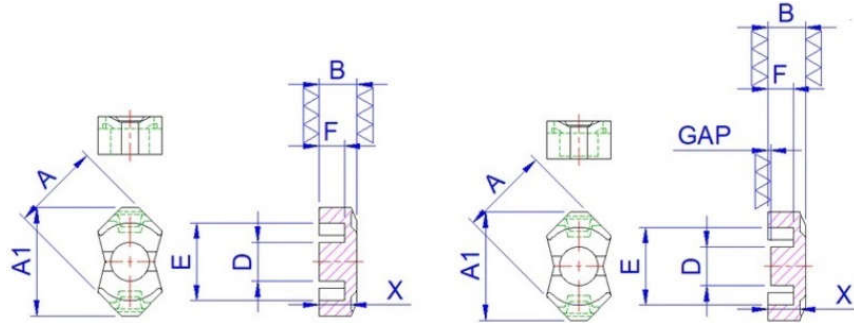


越峰電子材料股份有限公司
ACME Electronics Corporation

客戶規格編號(Customer Spec.No.)

客戶特殊規格書 (Customer Specification)	品名: (Part No.) P41RM6	客戶名稱 (Customer)	生效日期(Effective Date)
-------------------------------------	--------------------------	-----------------	----------------------

客戶料號(Customer Part No.):	版次(Version) 第一版
--------------------------	--------------------



尺寸規格 Dimensions (mm) :

A	A1	B	D	E	F	X
14.40±0.30	17.60±0.30	6.20±0.10	6.30±0.10	12.64±0.25	4.20±0.20	5.20±0.125

Ae	Le	Ve
36.60mm ²	28.60mm	1050 mm ³

電磁特性規格 (Electrical Characteristics):

低鐵損材質 (Low loss Material)

材質 (Material)	初導磁率 μi	電感(Inductance) AL(nH/N ²)	Pv(W)
P41	2400±25%	2330+30%/-20%	0.51 max

測試條件(Testing Condition):

測試條件 Condition	10kHz,50 mV Pv:100kHz,200mT
測試儀器 Equipment	卡尺(callipers)/HP4284A
室溫 Temperature	25°C±3°C Pv:100°C±3°C
線圈 COIL	0.20mm,10Ts (ACME)

REMARK:

核准(Approved by):	審查(Checked by):	制定(Prepared by): Guoqi Tu	頁次(Page)1/1 KS
------------------	-----------------	------------------------------	-------------------