

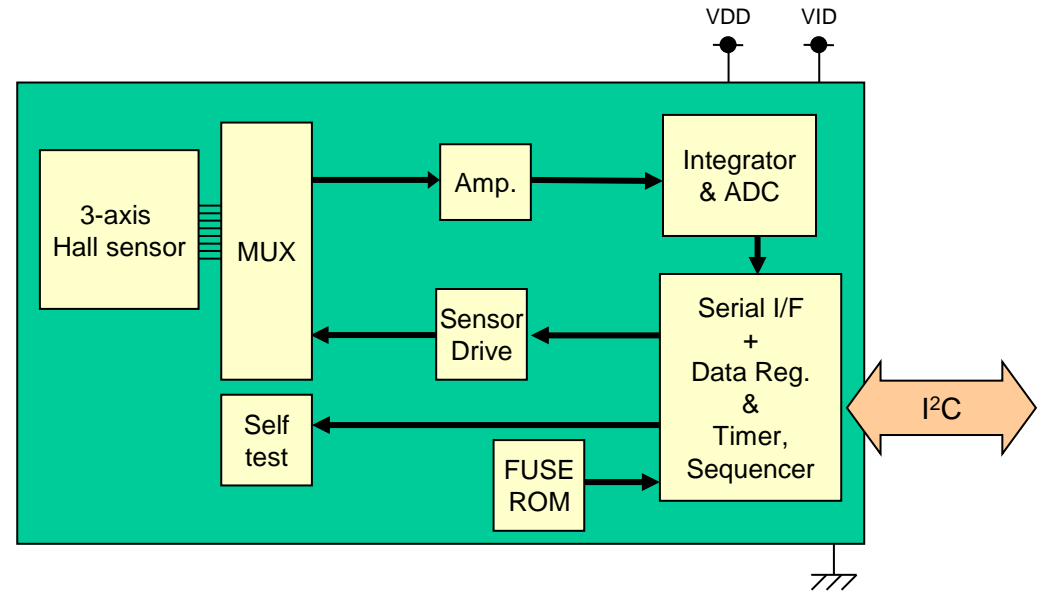
# Product Brief ~3-axis E-compass~



## AK09911C

### Small, next generation of AK8963C

- 3-axis magnetometer device suitable for compass application
- Built-in A to D Converter for magnetometer data out
- 14-bit data out for each 3 axis magnetic components
- Operation modes:  
Power-down, Single measurement, Continuous measurement, Self test and Fuse ROM access.
- DRDY function for measurement data ready
- Magnetic sensor overflow monitor function
- Built-in oscillator for internal clock source
- Power on Reset circuit
- Self test function with built-in internal magnetic source



Operating temperature	-30° C to +85° C
Supply voltage	VDD: +2.4V to +3.6V VID: +1.65V to VDD
Current consumption	Stand-by 3uA Average@100Hz 2.4mA
Sensitivity	0.6uT/LSB
Measurement range	+/- 4900uT
Serial interface	I2C bus
Package	8pin WL-CSP (BGA) 1.2 x 1.2 x 0.5mm

2013/OCT.