

Appearance			
Sensing type	Convergent reflective		
Sensing distance	5~30mm	3~8mm	2~15mm
Spot size	φ20mm /30mm	φ10mm / 8mm	φ10mm / 15mm
Detection object	No-limit		
Hysteresis range	White paper: 15%	White paper: 10%	
Output type	NPN/PNP Open – collector		
Switch type	L.on		
Indicator	Output indicator: Orange; Work indicator: Green; Power indicator: Red		
Response time	≤0.5ms		1.2ms
Power on delay	15ms		50ms
Light source	Infrared 650nm (Modulated)		Infrared 850nm (Modulated)
Operating voltage	12~24V DC ± 10%		10~30V DC ± 10%
Current consumption	≤20mA		
Protective circuit	Overload protection, reverse polarization protection, short circuit protection		
Ambient brightness	Sunlight ≤1000Lux, Incandescent lamp ≤3000Lux		
Ambient temperature	-25°C~+55°C No freezing		
Ambient humidity	35~85%RH No condensation		
Storage temperature	-40°C~+70°C, No freezing		
Storage humidity	35~95%RH, No condensation		
Impact resistance	1000m/s <sup>2</sup> , 3 times in X,Y,Z		
Shock resistance	10~50Hz, Upper and lower amplitude 1.5mm, 2 hours in X,Y,Z direction		
Degree of protection	IP67		
Material	PC		
Connection method	φ2.5*2M/ 3 core cable		
Model No.	NPN PNP	<b>ESL-X30NO</b> <b>ESL-X30PO</b>	<b>ESL-X08NO</b> <b>ESL-X08PO</b>
			<b>ESL-15NO</b> <b>ESL-15PO</b>

Fiber Optic  
Slot Sensors  
**Photoelectric**  
Laser  
Proximity  
Displacement  
Magnetic  
Contact  
Area  
Ultrasonic  
Vision  
Vibration  
Temperature  
Annexes

Guidance

Photoelectric

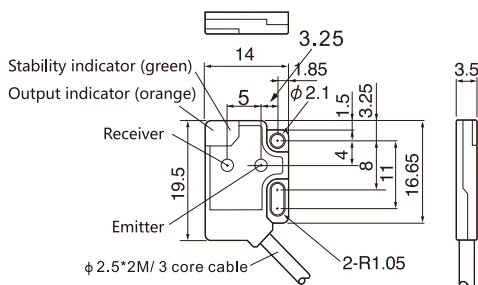
Cylindrical  
Square  
Flat type  
**Thin type**  
BGS  
Transparent detection  
Color/Mark Detection  
TOF reflective  
IP69K high protection type  
Anti-glare type

Reflectors

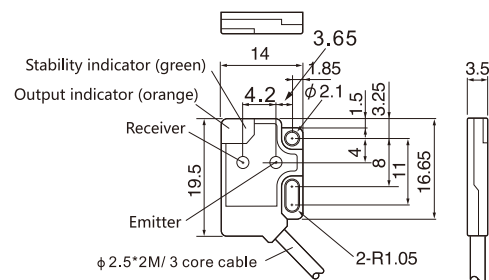
Reflectors

## Dimensions

## ESL-X30

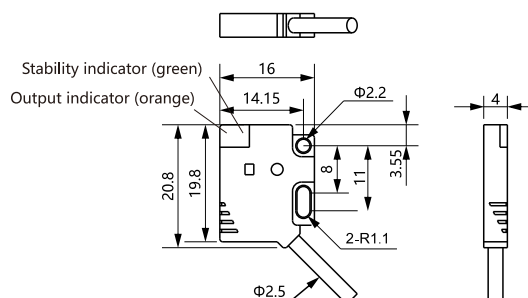


## ESL-X08



Unit: mm

## ESL-15

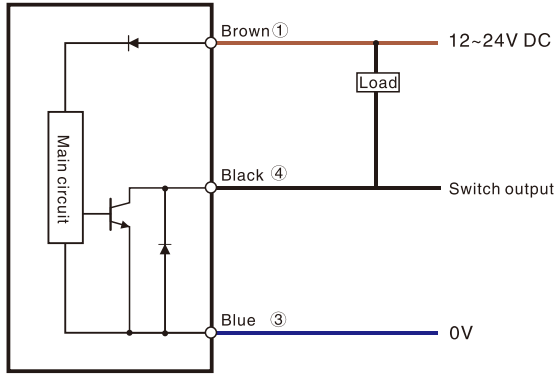


# Thin Type

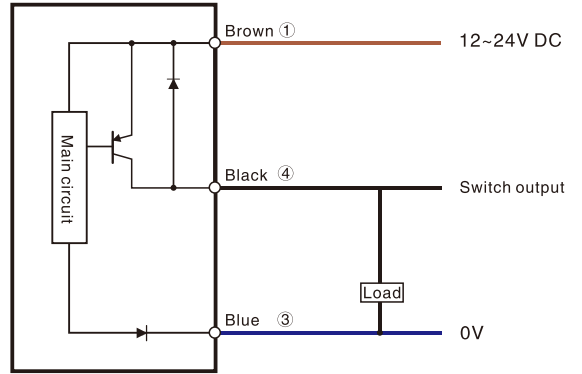
## ESL Series

### ESL-X30/ESL-X08

#### NPN Output

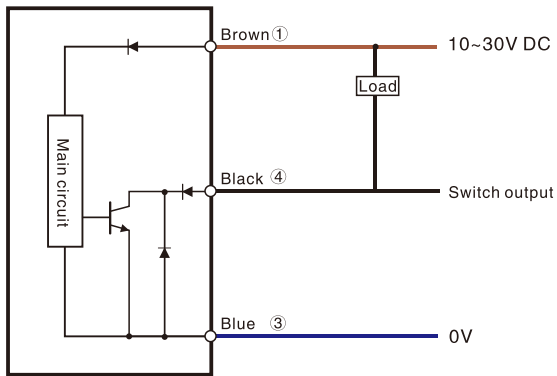


#### PNP Output

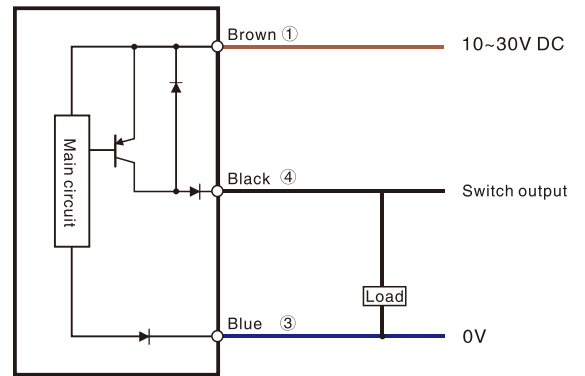


### ESL-15

#### NPN Output



#### PNP Output



Fiber Optic
Slot Sensors
<b>Photoelectric</b>
Laser
Proximity
Displacement
Magnetic
Contact
Area
Ultrasonic
Vision
Vibration
Temperature
Annexes
Guidance
Photoelectric
Cylindrical
Square
Flat type
<b>Thin type</b>
BGS
Transparent detection
Color/Mark Detection
TOF reflective
IP69K high protection type
Anti-glare type
Reflectors
Reflectors