

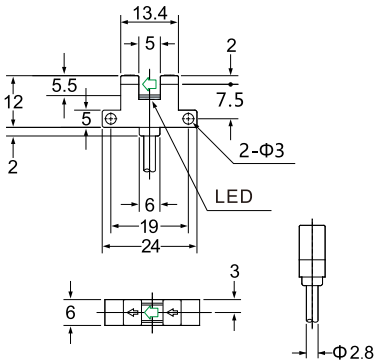
Appearance						
Shape	K shape	L shape	F shape	R shape	U shape	
Sensing distance	5mm (Slot width)					
Standard sensing object	Opaque objects (Size: > 1.2*1.8mm)					
Repeat accuracy	< 0.03mm					
Output type	NPN or PNP open-collector					
Switch type	Selectable L.on/D.on					
Indicator	Light off when objects are detected; light on when no objects are detected					
Response frequency	3KHz					
Light source	Infrared LED (940nm)					
Operating voltage	5~24V DC					
Voltage drop	< 1V(Load current 50mA)					
Current brightness	≤ 16mA					
Protective circuit	Surge protection , Reverse polarity protection					
Ambient brightness	Incandescent lamp < 1000 Lux					
Ambient temperature	Operation: -25°C~+55°C, Storage: -30°C~+80°C, no freezing					
Ambient humidity	Operation: 5%~85%, Storage: 5%~95%, no condensation					
Withstand voltage	AC, 1000V for 1 minute, between all power connection terminals and housing					
Anti-vibration	10 to 55 Hz with 1.5mm amplitude for 2 hours each in X, Y, and Z directions					
Insulation resistance	20MΩ or more between all power connection terminals and housing (based on DC250V)					
Degree of protection	IP50					
Material	ABS					
Connection method	2M 4core cable					
Model No.	NPN	<b>SK-206NA-W</b>	<b>SL-205NA-W</b> <span style="color:red">HOT</span>	<b>SF-202NA-W</b>	<b>SR-204NA-W</b>	<b>SU-201NA-W</b>
	PNP	<b>SK-206PA-W</b>	<b>SL-205PA-W</b>	<b>SF-202PA-W</b>	<b>SR-204PA-W</b>	<b>SU-201PA-W</b>

- Fiber Optic
- Slot Sensors
- Photoelectric
- Laser
- Proximity
- Displacement
- Magnetic
- Contact
- Area
- Ultrasonic
- Vision
- Temperature
- Annexes

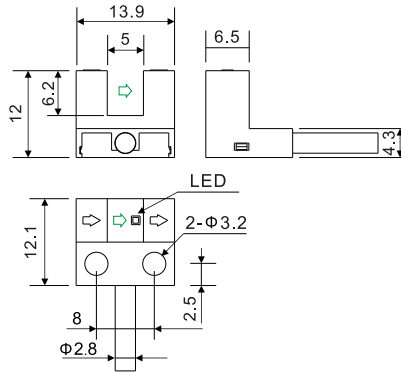
## Dimensions

Unit: mm

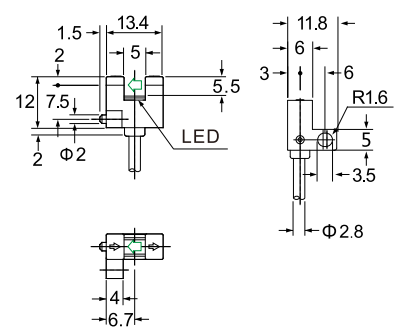
### K Shape



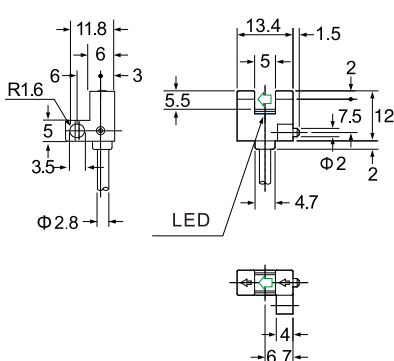
### L Shape



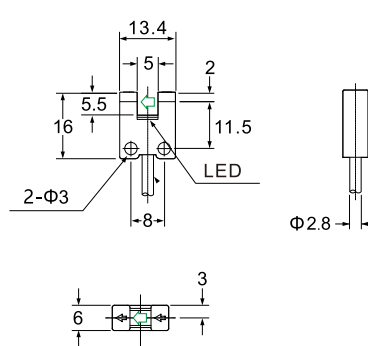
### F Shape



### R Shape



### U Shape



## Guidance

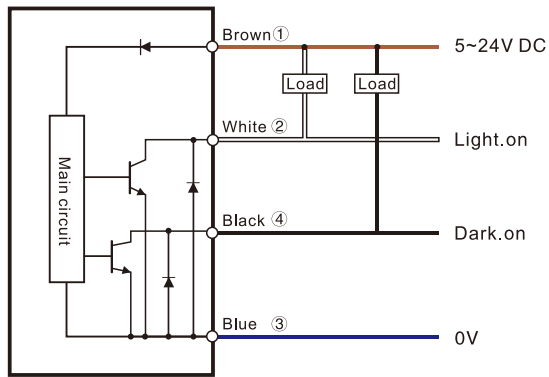
### Slot type sensors

- Micro slot type
- Slot type
- Wide slot type
- Label detection

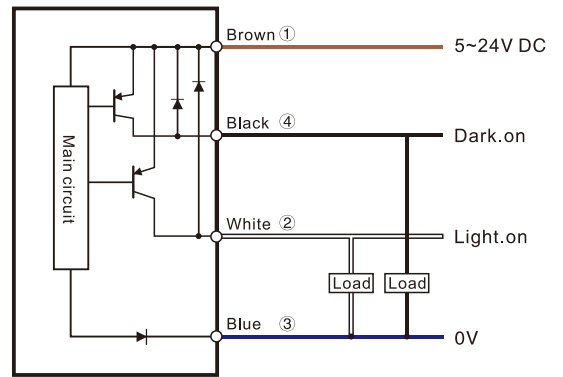
# Micro Slot Type

## Circuit diagram

NPN



PNP



Fiber Optic

Slot Sensors

Photoelectric

Laser

Proximity

Displacement

Magnetic

Contact

Area

Ultrasonic

Vision

Vibration

Temperature

Annexes

Guidance

Slot type sensors

Micro slot type

Slot type

Wide slot type

Label detection