

**ADSP-BF531/ADSP-BF532/ADSP-BF533**
**FEATURES**

Up to 600 MHz high performance Blackfin processor  
 Two 16-bit MACs, two 40-bit ALUs, four 8-bit video ALUs, 40-bit shifter  
 RISC-like register and instruction model for ease of programming and compiler-friendly support  
 Advanced debug, trace, and performance monitoring  
 0.8 V to 1.2 V core  $V_{DD}$  with on-chip voltage regulation  
 3.3 V and 2.5 V tolerant I/O  
 160-ball mini-BGA, 169-ball lead free PBGA, and 176-lead LQFP packages

**MEMORY**

Up to 148K bytes of on-chip memory:  
 16K bytes of instruction SRAM/Cache  
 64K bytes of instruction SRAM  
 32K bytes of data SRAM/Cache  
 32K bytes of data SRAM  
 4K bytes of scratchpad SRAM  
 Two dual-channel memory DMA controllers  
 Memory management unit providing memory protection

External memory controller with glueless support for SDRAM, SRAM, FLASH, and ROM  
 Flexible memory booting options from SPI and external memory

**PERIPHERALS**

Parallel peripheral interface (PPI)/GPIO, supporting ITU-R 656 video data formats  
 Two dual-channel, full duplex synchronous serial ports, supporting eight stereo I<sup>2</sup>S channels  
 12-channel DMA controller  
 SPI-compatible port  
 Three timer/counters with PWM support  
 UART with support for IrDA<sup>®</sup>  
 Event handler  
 Real-time clock  
 Watchdog timer  
 Debug/JTAG interface  
 On-chip PLL capable of 1x to 63x frequency multiplication  
 Core timer

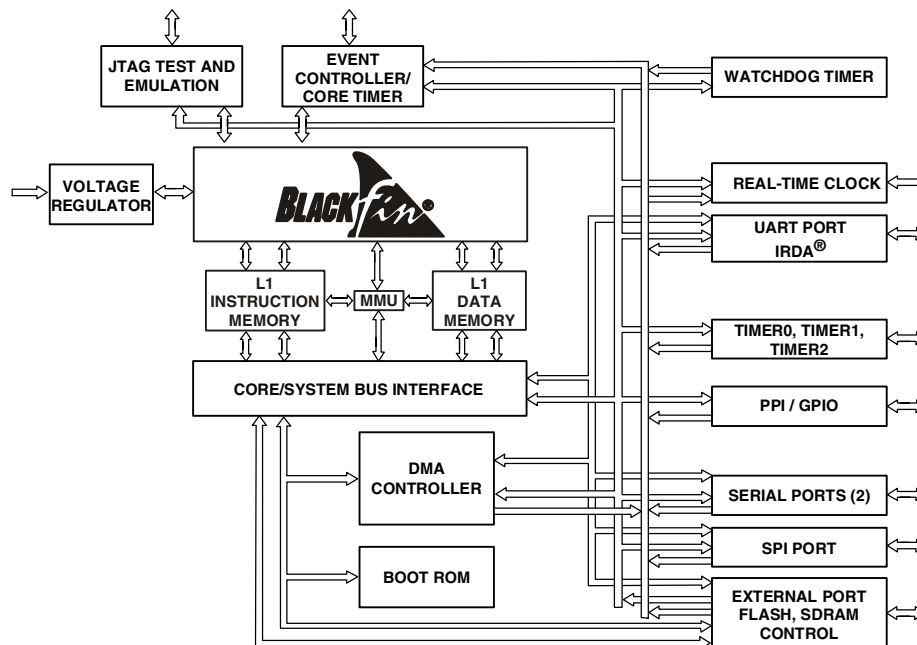


Figure 1. Functional Block Diagram

Blackfin and the Blackfin logo are registered trademarks of Analog Devices, Inc.

**Rev. A**

Information furnished by Analog Devices is believed to be accurate and reliable. However, no responsibility is assumed by Analog Devices for its use, nor for any infringements of patents or other rights of third parties that may result from its use. Specifications subject to change without notice. No license is granted by implication or otherwise under any patent or patent rights of Analog Devices. Trademarks and registered trademarks are the property of their respective owners.

# ADSP-BF531/ADSP-BF532/ADSP-BF533

## TABLE OF CONTENTS

|   |    |   |    |
|---|----|---|----|
| General Description .....                           | 3  | Programmable Flags Cycle Timing .....     | 35 |
| Portable Low Power Architecture .....               | 3  | Timer Cycle Timing .....                  | 36 |
| System Integration .....                            | 3  | JTAG Test and Emulation Port Timing ..... | 37 |
| ADSP-BF531/ADSP-BF532/ADSP-BF533 Processor          |    | Output Drive Currents .....               | 38 |
| Peripherals .....                                   | 3  | Power Dissipation .....                   | 40 |
| Blackfin Processor Core .....                       | 3  | Test Conditions .....                     | 41 |
| DMA Controllers .....                               | 8  | Environmental Conditions .....            | 44 |
| Real-Time Clock .....                               | 8  | 160-Lead BGA Pinout .....                 | 45 |
| Watchdog Timer .....                                | 9  | 169-Ball PBGA Pinout .....                | 48 |
| Timers .....  | 9  | 176-Lead LQFP Pinout .....                | 50 |
| Serial Ports (SPORTs) .....                         | 9  | Outline Dimensions .....                  | 52 |
| Serial Peripheral Interface (SPI) Port .....        | 9  | Ordering Guide .....                      | 55 |
| UART Port .....                                     | 10 |   |    |
| Programmable Flags (PFx) .....                      | 10 |   |    |
| Parallel Peripheral Interface .....                 | 10 |   |    |
| Dynamic Power Management .....                      | 11 |   |    |
| Voltage Regulation .....                            | 12 |   |    |
| Clock Signals .....                                 | 13 |   |    |
| Booting Modes .....                                 | 13 |   |    |
| Instruction Set Description .....                   | 14 |   |    |
| Development Tools .....                             | 14 |   |    |
| Designing an Emulator-Compatible Processor Board .. | 15 |   |    |
| Pin Descriptions .....                              | 16 |   |    |
| Specifications .....                                | 19 |   |    |
| Recommended Operating Conditions .....              | 19 |   |    |
| Electrical Characteristics .....                    | 19 |   |    |
| Absolute Maximum Ratings .....                      | 20 |   |    |
| ESD Sensitivity .....                               | 20 |   |    |
| Timing Specifications .....                         | 21 |   |    |
| Clock and Reset Timing .....                        | 22 |   |    |
| Asynchronous Memory Read Cycle Timing .....         | 23 |   |    |
| Asynchronous Memory Write Cycle Timing .....        | 24 |   |    |
| SDRAM Interface Timing .....                        | 25 |   |    |
| External Port Bus Request and Grant Cycle Timing .. | 26 |   |    |
| Parallel Peripheral Interface Timing .....          | 27 |   |    |
| Serial Ports .....                                  | 28 |   |    |
| Serial Peripheral Interface (SPI) Port              |    |   |    |
| —Master Timing .....                                | 32 |   |    |
| Serial Peripheral Interface (SPI) Port              |    |   |    |
| —Slave Timing .....                                 | 33 |   |    |
| Universal Asynchronous Receiver-Transmitter         |    |   |    |
| (UART) Port—Receive and Transmit Timing .....       | 34 |   |    |

## REVISION HISTORY

### 1/05—Revision A: Changed from Rev. 0 to Rev. A

Deleted tolerance from voltage regulator description and changed part in (Figure 7) [Voltage Regulator Circuit](#) .....12

Defined new nominal voltage for ADSP-BF533 in [Recommended Operating Conditions](#) .....19

Clarified test voltage in [Table 10](#), [Table 11](#), [Table 12](#) .....21

Changed data for 400 MHz in ([Table 30](#)) [Internal Power Dissipation](#) .....40

Changed package height in ([Figure 46](#)) [160-Ball Mini-BGA \(BC-160\)](#).....52

Changed operating voltage for ADSP-BF532 and ADSP-BF533 parts and adds two part numbers to [Ordering Guide](#).....55

Changes to format throughout document.

### 3/04—Revision 0: Initial Version

## GENERAL DESCRIPTION

The ADSP-BF531/ADSP-BF532/ADSP-BF533 processors are members of the Blackfin family of products, incorporating the Analog Devices/Intel Micro Signal Architecture (MSA). Blackfin processors combine a dual-MAC state-of-the-art signal processing engine, the advantages of a clean, orthogonal RISC-like microprocessor instruction set, and single-instruction, multiple-data (SIMD) multimedia capabilities into a single instruction set architecture.

The ADSP-BF531/ADSP-BF532/ADSP-BF533 processors are completely code and pin compatible, differing only with respect to their performance and on-chip memory. Specific performance and memory configurations are shown in [Table 1](#).

**Table 1. Processor Comparison**

|                        | ADSP-BF531           | ADSP-BF532           | ADSP-BF533            |
|------------------------|----------------------|----------------------|-----------------------|
| Maximum Performance    | 400 MHz<br>800 MMACs | 400 MHz<br>800 MMACs | 600 MHz<br>1200 MMACs |
| Instruction SRAM/Cache | 16K bytes            | 16K bytes            | 16K bytes             |
| Instruction SRAM       | 16K bytes            | 32K bytes            | 64K bytes             |
| Data SRAM/Cache        | 16K bytes            | 32K bytes            | 32K bytes             |
| Data SRAM              |                      |                      | 32K bytes             |
| Scratchpad             | 4K bytes             | 4K bytes             | 4K bytes              |

By integrating a rich set of industry-leading system peripherals and memory, Blackfin processors are the platform of choice for next generation applications that require RISC-like programmability, multimedia support, and leading-edge signal processing in one integrated package.

## PORTABLE LOW POWER ARCHITECTURE

Blackfin processors provide world-class power management and performance. Blackfin processors are designed in a low power and low voltage design methodology and feature dynamic power management, the ability to vary both the voltage and frequency of operation to significantly lower overall power consumption. Varying the voltage and frequency can result in a substantial reduction in power consumption, compared with just varying the frequency of operation. This translates into longer battery life for portable appliances.

## SYSTEM INTEGRATION

The ADSP-BF531/ADSP-BF532/ADSP-BF533 processors are highly integrated system-on-a-chip solutions for the next generation of digital communication and consumer multimedia applications. By combining industry-standard interfaces with a high performance signal processing core, users can develop cost-effective solutions quickly without the need for costly external components. The system peripherals include a UART port, an SPI port, two serial ports (SPORTs), four general-purpose timers (three with PWM capability), a real-time clock, a watchdog timer, and a parallel peripheral interface.

## ADSP-BF531/ADSP-BF532/ADSP-BF533 PROCESSOR PERIPHERALS

The ADSP-BF531/ADSP-BF532/ADSP-BF533 processor contains a rich set of peripherals connected to the core via several high bandwidth buses, providing flexibility in system configuration as well as excellent overall system performance (see the functional block diagram in [Figure 1 on Page 1](#)). The general-purpose peripherals include functions such as UART, timers with PWM (pulse width modulation) and pulse measurement capability, general-purpose flag I/O pins, a real-time clock, and a watchdog timer. This set of functions satisfies a wide variety of typical system support needs and is augmented by the system expansion capabilities of the part. In addition to these general-purpose peripherals, the ADSP-BF531/ADSP-BF532/ADSP-BF533 processor contains high speed serial and parallel ports for interfacing to a variety of audio, video, and modem codec functions; an interrupt controller for flexible management of interrupts from the on-chip peripherals or external sources; and power management control functions to tailor the performance and power characteristics of the processor and system to many application scenarios.

All of the peripherals, except for general-purpose I/O, real-time clock, and timers, are supported by a flexible DMA structure. There is also a separate memory DMA channel dedicated to data transfers between the processor's various memory spaces, including external SDRAM and asynchronous memory. Multiple on-chip buses running at up to 133 MHz provide enough bandwidth to keep the processor core running along with activity on all of the on-chip and external peripherals.

The ADSP-BF531/ADSP-BF532/ADSP-BF533 processor includes an on-chip voltage regulator in support of the ADSP-BF531/ADSP-BF532/ADSP-BF533 processor dynamic power management capability. The voltage regulator provides a range of core voltage levels from a single 2.25 V to 3.6 V input. The voltage regulator can be bypassed at the user's discretion.

## BLACKFIN PROCESSOR CORE

As shown in [Figure 2 on Page 5](#), the Blackfin processor core contains two 16-bit multipliers, two 40-bit accumulators, two 40-bit ALUs, four video ALUs, and a 40-bit shifter. The computation units process 8-bit, 16-bit, or 32-bit data from the register file.

The compute register file contains eight 32-bit registers. When performing compute operations on 16-bit operand data, the register file operates as 16 independent 16-bit registers. All operands for compute operations come from the multiplexed register file and instruction constant fields.

Each MAC can perform a 16-bit by 16-bit multiply in each cycle, accumulating the results into the 40-bit accumulators. Signed and unsigned formats, rounding, and saturation are supported.

The ALUs perform a traditional set of arithmetic and logical operations on 16-bit or 32-bit data. In addition, many special instructions are included to accelerate various signal processing

# ADSP-BF531/ADSP-BF532/ADSP-BF533

tasks. These include bit operations such as field extract and population count, modulo  $2^{32}$  multiply, divide primitives, saturation and rounding, and sign/exponent detection. The set of video instructions includes byte alignment and packing operations, 16-bit and 8-bit adds with clipping, 8-bit average operations, and 8-bit subtract/absolute value/accumulate (SAA) operations. Also provided are the compare/select and vector search instructions.

For certain instructions, two 16-bit ALU operations can be performed simultaneously on register pairs (a 16-bit high half and 16-bit low half of a compute register). By also using the second ALU, quad 16-bit operations are possible.

The 40-bit shifter can perform shifts and rotates and is used to support normalization, field extract, and field deposit instructions.

The program sequencer controls the flow of instruction execution, including instruction alignment and decoding. For program flow control, the sequencer supports PC relative and indirect conditional jumps (with static branch prediction), and subroutine calls. Hardware is provided to support zero-overhead looping. The architecture is fully interlocked, meaning that the programmer need not manage the pipeline when executing instructions with data dependencies.

The address arithmetic unit provides two addresses for simultaneous dual fetches from memory. It contains a multiported register file consisting of four sets of 32-bit index, modify, length, and base registers (for circular buffering), and eight additional 32-bit pointer registers (for C-style indexed stack manipulation).

Blackfin processors support a modified Harvard architecture in combination with a hierarchical memory structure. Level 1 (L1) memories are those that typically operate at the full processor speed with little or no latency. At the L1 level, the instruction memory holds instructions only. The two data memories hold data, and a dedicated scratchpad data memory stores stack and local variable information.

In addition, multiple L1 memory blocks are provided, offering a configurable mix of SRAM and cache. The memory management unit (MMU) provides memory protection for individual tasks that may be operating on the core and can protect system registers from unintended access.

The architecture provides three modes of operation: user mode, supervisor mode, and emulation mode. User mode has restricted access to certain system resources, thus providing a protected software environment, while supervisor mode has unrestricted access to the system and core resources.

The Blackfin processor instruction set has been optimized so that 16-bit opcodes represent the most frequently used instructions, resulting in excellent compiled code density. Complex DSP instructions are encoded into 32-bit opcodes, representing fully featured multifunction instructions. Blackfin processors support a limited multi-issue capability, where a 32-bit instruction can be issued in parallel with two 16-bit instructions, allowing the programmer to use many of the core resources in a single instruction cycle.

The Blackfin processor assembly language uses an algebraic syntax for ease of coding and readability. The architecture has been optimized for use in conjunction with the C/C++ compiler, resulting in fast and efficient software implementations.

## MEMORY ARCHITECTURE

The ADSP-BF531/ADSP-BF532/ADSP-BF533 processor views memory as a single unified 4G byte address space, using 32-bit addresses. All resources, including internal memory, external memory, and I/O control registers, occupy separate sections of this common address space. The memory portions of this address space are arranged in a hierarchical structure to provide a good cost/performance balance of some very fast, low latency on-chip memory as cache or SRAM, and larger, lower cost and performance off-chip memory systems. See [Figure 3 on Page 5](#), [Figure 4 on Page 5](#), and [Figure 5 on Page 6](#).

The L1 memory system is the primary highest performance memory available to the Blackfin processor. The off-chip memory system, accessed through the external bus interface unit (EBIU), provides expansion with SDRAM, flash memory, and SRAM, optionally accessing up to 132M bytes of physical memory.

The memory DMA controller provides high bandwidth data-movement capability. It can perform block transfers of code or data between the internal memory and the external memory spaces.

### **Internal (On-Chip) Memory**

The ADSP-BF531/ADSP-BF532/ADSP-BF533 processor has three blocks of on-chip memory providing high bandwidth access to the core.

The first is the L1 instruction memory, consisting of up to 80K bytes SRAM, of which 16K bytes can be configured as a four way set-associative cache. This memory is accessed at full processor speed.

The second on-chip memory block is the L1 data memory, consisting of up to two banks of up to 32K bytes each. Each memory bank is configurable, offering both cache and SRAM functionality. This memory block is accessed at full processor speed.

The third memory block is a 4K byte scratchpad SRAM which runs at the same speed as the L1 memories, but is only accessible as data SRAM and cannot be configured as cache memory.

### **External (Off-Chip) Memory**

The external bus interface can be used with both asynchronous devices such as SRAM, FLASH, EEPROM, ROM, and I/O devices, and synchronous devices such as SDRAMs. The bus width is always 16 bits. A1 is the least significant address of a 16-bit word. 8-bit peripherals should be addressed as if they were 16-bit devices, where only the lower eight bits of data should be used.

# ADSP-BF531/ADSP-BF532/ADSP-BF533

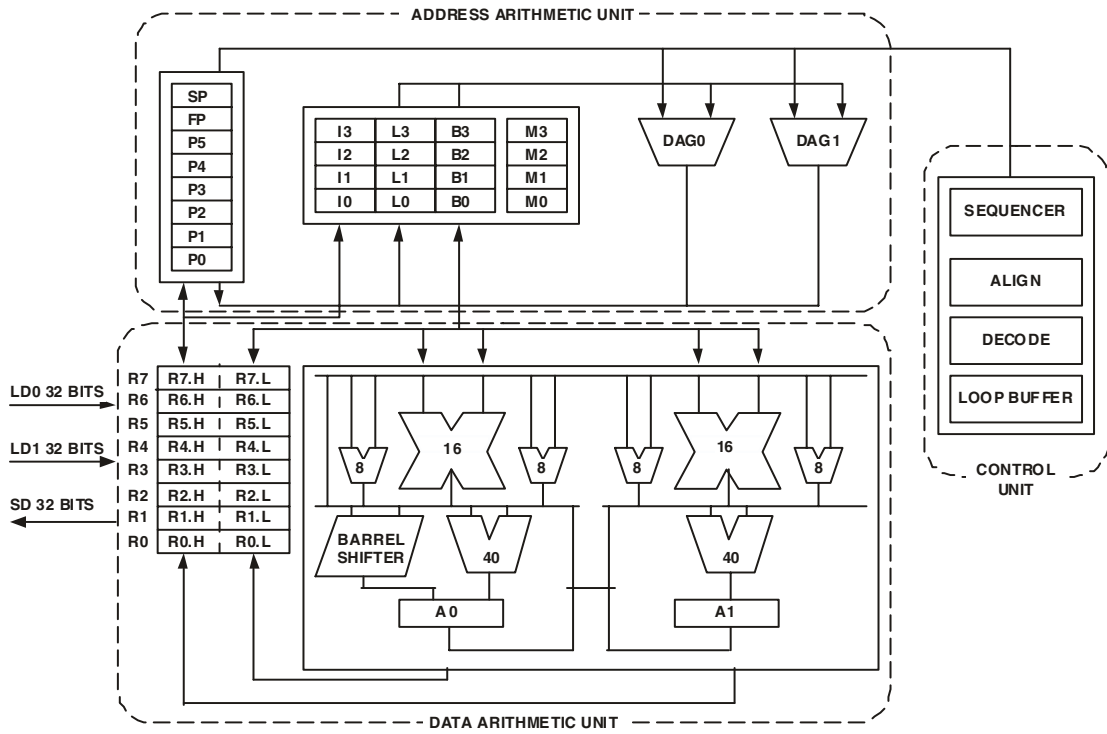


Figure 2. Blackfin Processor Core

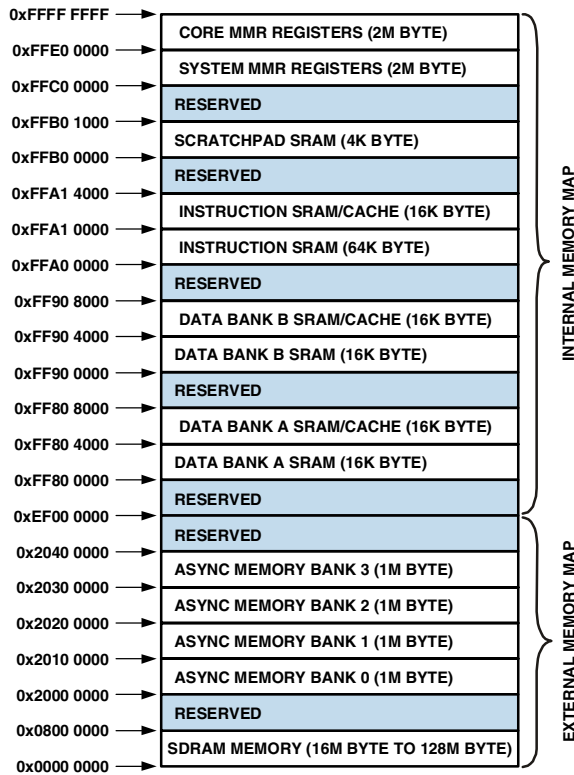


Figure 3. ADSP-BF533 Internal/External Memory Map

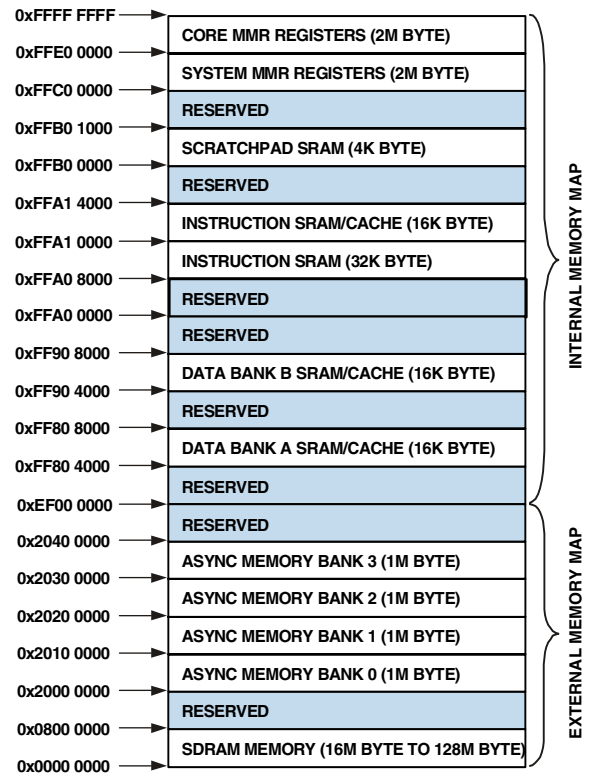


Figure 4. ADSP-BF532 Internal/External Memory Map

# ADSP-BF531/ADSP-BF532/ADSP-BF533

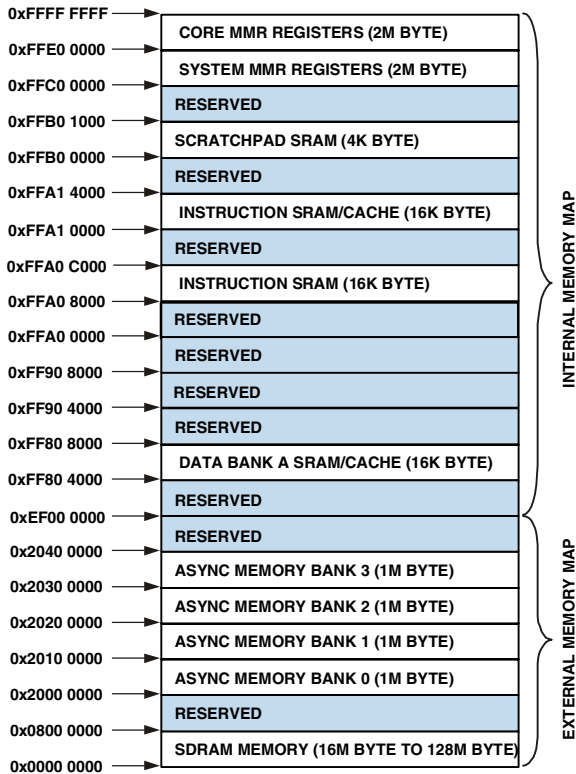


Figure 5. ADSP-BF531 Internal/External Memory Map

The PC133-compliant SDRAM controller can be programmed to interface to up to 128M bytes of SDRAM. The SDRAM controller allows one row to be open for each internal SDRAM bank, for up to four internal SDRAM banks, improving overall system performance.

The asynchronous memory controller can be programmed to control up to four banks of devices with very flexible timing parameters for a wide variety of devices. Each bank occupies a 1M byte segment regardless of the size of the devices used, so that these banks will only be contiguous if each is fully populated with 1M byte of memory.

## I/O Memory Space

Blackfin processors do not define a separate I/O space. All resources are mapped through the flat 32-bit address space. On-chip I/O devices have their control registers mapped into memory mapped registers (MMRs) at addresses near the top of the 4G byte address space. These are separated into two smaller blocks, one of which contains the control MMRs for all core functions, and the other of which contains the registers needed for setup and control of the on-chip peripherals outside of the core. The MMRs are accessible only in supervisor mode and appear as reserved space to on-chip peripherals.

## Booting

The ADSP-BF531/ADSP-BF532/ADSP-BF533 processor contains a small boot kernel, which configures the appropriate peripheral for booting. If the ADSP-BF531/ADSP-BF532/ADSP-BF533 processor is configured to boot from boot ROM memory space, the processor starts executing from the on-chip boot ROM. For more information, see [Booting Modes on Page 13](#).

## Event Handling

The event controller on the ADSP-BF531/ADSP-BF532/ADSP-BF533 processor handles all asynchronous and synchronous events to the processor. The ADSP-BF531/ADSP-BF532/ADSP-BF533 processor provides event handling that supports both nesting and prioritization. Nesting allows multiple event service routines to be active simultaneously. Prioritization ensures that servicing of a higher priority event takes precedence over servicing of a lower priority event. The controller provides support for five different types of events:

- Emulation – An emulation event causes the processor to enter emulation mode, allowing command and control of the processor via the JTAG interface.
- Reset – This event resets the processor.
- Non-Maskable Interrupt (NMI) – The NMI event can be generated by the software watchdog timer or by the NMI input signal to the processor. The NMI event is frequently used as a power-down indicator to initiate an orderly shut-down of the system.
- Exceptions – Events that occur synchronously to program flow (i.e., the exception will be taken before the instruction is allowed to complete). Conditions such as data alignment violations and undefined instructions cause exceptions.
- Interrupts – Events that occur asynchronously to program flow. They are caused by input pins, timers, and other peripherals, as well as by an explicit software instruction.

Each event type has an associated register to hold the return address and an associated return-from-event instruction. When an event is triggered, the state of the processor is saved on the supervisor stack.

The ADSP-BF531/ADSP-BF532/ADSP-BF533 processor event controller consists of two stages, the core event controller (CEC) and the system interrupt controller (SIC). The core event controller works with the system interrupt controller to prioritize and control all system events. Conceptually, interrupts from the peripherals enter into the SIC, and are then routed directly into the general-purpose interrupts of the CEC.

## Core Event Controller (CEC)

The CEC supports nine general-purpose interrupts (IVG15–7), in addition to the dedicated interrupt and exception events. Of these general-purpose interrupts, the two lowest priority interrupts (IVG15–14) are recommended to be reserved for software interrupt handlers, leaving seven prioritized interrupt inputs to support the peripherals of the ADSP-BF531/ADSP-BF532/

ADSP-BF533 processor. Table 2 describes the inputs to the CEC, identifies their names in the event vector table (EVT), and lists their priorities.

**Table 2. Core Event Controller (CEC)**

| Priority<br>(0 is Highest) | Event Class            | EVT Entry |
|----------------------------|------------------------|-----------|
| 0                          | Emulation/Test Control | EMU       |
| 1                          | Reset                  | RST       |
| 2                          | Nonmaskable Interrupt  | NMI       |
| 3                          | Exception              | EVX       |
| 4                          | Reserved               |           |
| 5                          | Hardware Error         | IVHW      |
| 6                          | Core Timer             | IVTMR     |
| 7                          | General Interrupt 7    | IVG7      |
| 8                          | General Interrupt 8    | IVG8      |
| 9                          | General Interrupt 9    | IVG9      |
| 10                         | General Interrupt 10   | IVG10     |
| 11                         | General Interrupt 11   | IVG11     |
| 12                         | General Interrupt 12   | IVG12     |
| 13                         | General Interrupt 13   | IVG13     |
| 14                         | General Interrupt 14   | IVG14     |
| 15                         | General Interrupt 15   | IVG15     |

### System Interrupt Controller (SIC)

The system interrupt controller provides the mapping and routing of events from the many peripheral interrupt sources to the prioritized general-purpose interrupt inputs of the CEC. Although the ADSP-BF531/ADSP-BF532/ADSP-BF533 processor provides a default mapping, the user can alter the mappings and priorities of interrupt events by writing the appropriate values into the interrupt assignment registers (IAR). Table 3 describes the inputs into the SIC and the default mappings into the CEC.

### Event Control

The ADSP-BF531/ADSP-BF532/ADSP-BF533 processor provides the user with a very flexible mechanism to control the processing of events. In the CEC, three registers are used to coordinate and control events. Each register is 16 bits wide:

- CEC interrupt latch register (ILAT) – The ILAT register indicates when events have been latched. The appropriate bit is set when the processor has latched the event and cleared when the event has been accepted into the system. This register is updated automatically by the controller, but it may be written only when its corresponding IMASK bit is cleared.
- CEC interrupt mask register (IMASK) – The IMASK register controls the masking and unmasking of individual events. When a bit is set in the IMASK register, that event is unmasked and will be processed by the CEC when asserted. A cleared bit in the IMASK register masks the event, preventing the processor from servicing the event even though

**Table 3. System Interrupt Controller (SIC)**

| Peripheral Interrupt Event                      | Default Mapping |
|---|-----------------|
| PLL Wakeup                                      | IVG7            |
| DMA Error                                       | IVG7            |
| PPI Error                                       | IVG7            |
| SPORT 0 Error                                   | IVG7            |
| SPORT 1 Error                                   | IVG7            |
| SPI Error                                       | IVG7            |
| UART Error                                      | IVG7            |
| Real-Time Clock                                 | IVG8            |
| DMA Channel 0 (PPI)                             | IVG8            |
| DMA Channel 1 (SPORT 0 RX)                      | IVG9            |
| DMA Channel 2 (SPORT 0 TX)                      | IVG9            |
| DMA Channel 3 (SPORT 1 RX)                      | IVG9            |
| DMA Channel 4 (SPORT 1 TX)                      | IVG9            |
| DMA Channel 5 (SPI)                             | IVG10           |
| DMA Channel 6 (UART RX)                         | IVG10           |
| DMA Channel 7 (UART TX)                         | IVG10           |
| Timer 0   | IVG11           |
| Timer 1   | IVG11           |
| Timer 2   | IVG11           |
| PF Interrupt A                                  | IVG12           |
| PF Interrupt B                                  | IVG12           |
| DMA Channels 8 and 9<br>(Memory DMA Stream 1)   | IVG13           |
| DMA Channels 10 and 11<br>(Memory DMA Stream 0) | IVG13           |
| Software Watchdog Timer                         | IVG13           |

the event may be latched in the ILAT register. This register may be read or written while in supervisor mode. (Note that general-purpose interrupts can be globally enabled and disabled with the STI and CLI instructions, respectively.)

- CEC interrupt pending register (IPEND) – The IPEND register keeps track of all nested events. A set bit in the IPEND register indicates the event is currently active or nested at some level. This register is updated automatically by the controller but may be read while in supervisor mode.

The SIC allows further control of event processing by providing three 32-bit interrupt control and status registers. Each register contains a bit corresponding to each of the peripheral interrupt events shown in Table 3 on Page 7.

- SIC interrupt mask register (SIC\_IMASK) – This register controls the masking and unmasking of each peripheral interrupt event. When a bit is set in the register, that peripheral event is unmasked and will be processed by the

# ADSP-BF531/ADSP-BF532/ADSP-BF533

system when asserted. A cleared bit in the register masks the peripheral event, preventing the processor from servicing the event.

- SIC interrupt status register (SIC\_ISR) – As multiple peripherals can be mapped to a single event, this register allows the software to determine which peripheral event source triggered the interrupt. A set bit indicates the peripheral is asserting the interrupt, and a cleared bit indicates the peripheral is not asserting the event.
- SIC interrupt wakeup enable register (SIC\_IWR) – By enabling the corresponding bit in this register, a peripheral can be configured to wake up the processor, should the core be idled when the event is generated. (For more information, see [Dynamic Power Management on Page 11.](#))

Because multiple interrupt sources can map to a single general-purpose interrupt, multiple pulse assertions can occur simultaneously, before or during interrupt processing for an interrupt event already detected on this interrupt input. The IPEND register contents are monitored by the SIC as the interrupt acknowledgement.

The appropriate ILAT register bit is set when an interrupt rising edge is detected (detection requires two core clock cycles). The bit is cleared when the respective IPEND register bit is set. The IPEND bit indicates that the event has entered into the processor pipeline. At this point the CEC will recognize and queue the next rising edge event on the corresponding event input. The minimum latency from the rising edge transition of the general-purpose interrupt to the IPEND output asserted is three core clock cycles; however, the latency can be much higher, depending on the activity within and the state of the processor.

## DMA CONTROLLERS

The ADSP-BF531/ADSP-BF532/ADSP-BF533 processor has multiple, independent DMA controllers that support automated data transfers with minimal overhead for the processor core. DMA transfers can occur between the ADSP-BF531/ADSP-BF532/ADSP-BF533 processor's internal memories and any of its DMA-capable peripherals. Additionally, DMA transfers can be accomplished between any of the DMA-capable peripherals and external devices connected to the external memory interfaces, including the SDRAM controller and the asynchronous memory controller. DMA-capable peripherals include the SPORTs, SPI port, UART, and PPI. Each individual DMA-capable peripheral has at least one dedicated DMA channel.

The ADSP-BF531/ADSP-BF532/ADSP-BF533 processor DMA controller supports both 1-dimensional (1D) and 2-dimensional (2D) DMA transfers. DMA transfer initialization can be implemented from registers or from sets of parameters called descriptor blocks.

The 2D DMA capability supports arbitrary row and column sizes up to 64K elements by 64K elements, and arbitrary row and column step sizes up to  $\pm 32K$  elements. Furthermore, the column step size can be less than the row step size, allowing

implementation of interleaved data streams. This feature is especially useful in video applications where data can be de-interleaved on the fly.

Examples of DMA types supported by the ADSP-BF531/ADSP-BF532/ADSP-BF533 processor DMA controller include:

- A single, linear buffer that stops upon completion
- A circular, autorefreshing buffer that interrupts on each full or fractionally full buffer
- 1D or 2D DMA using a linked list of descriptors
- 2D DMA using an array of descriptors, specifying only the base DMA address within a common page

In addition to the dedicated peripheral DMA channels, there are two memory DMA channels provided for transfers between the various memories of the ADSP-BF531/ADSP-BF532/ADSP-BF533 processor system. This enables transfers of blocks of data between any of the memories—including external SDRAM, ROM, SRAM, and flash memory—with minimal processor intervention. Memory DMA transfers can be controlled by a very flexible descriptor-based methodology or by a standard register-based autobuffer mechanism.

## REAL-TIME CLOCK

The ADSP-BF531/ADSP-BF532/ADSP-BF533 processor real-time clock (RTC) provides a robust set of digital watch features, including current time, stopwatch, and alarm. The RTC is clocked by a 32.768 kHz crystal external to the ADSP-BF531/ADSP-BF532/ADSP-BF533 processor. The RTC peripheral has dedicated power supply pins so that it can remain powered up and clocked even when the rest of the processor is in a low power state. The RTC provides several programmable interrupt options, including interrupt per second, minute, hour, or day clock ticks, interrupt on programmable stopwatch countdown, or interrupt at a programmed alarm time.

The 32.768 kHz input clock frequency is divided down to a 1 Hz signal by a prescaler. The counter function of the timer consists of four counters: a 60 second counter, a 60 minute counter, a 24 hour counter, and a 32,768 day counter.

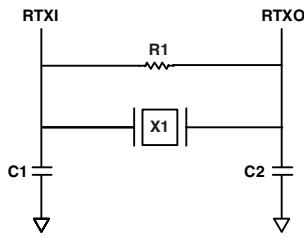
When enabled, the alarm function generates an interrupt when the output of the timer matches the programmed value in the alarm control register. There are two alarms: The first alarm is for a time of day. The second alarm is for a day and time of that day.

The stopwatch function counts down from a programmed value, with one second resolution. When the stopwatch is enabled and the counter underflows, an interrupt is generated.

Like other peripherals, the RTC can wake up the processor from sleep mode upon generation of any RTC wakeup event. Additionally, an RTC wakeup event can wake up the processor from deep sleep mode, and wake up the on-chip internal voltage regulator from a powered-down state.

Connect RTC pins RTXI and RTXO with external components as shown in [Figure 6](#).





**SUGGESTED COMPONENTS:**  
 ECLIPTEK EC38J (THROUGH-HOLE PACKAGE)  
 EPSON MC405 12 PF LOAD (SURFACE-MOUNT PACKAGE)  
 C1 = 22 PF  
 C2 = 22 PF  
 R1 = 10 M OHM

**NOTE: C1 AND C2 ARE SPECIFIC TO CRYSTAL SPECIFIED FOR X1. CONTACT CRYSTAL MANUFACTURER FOR DETAILS. C1 AND C2 SPECIFICATIONS ASSUME BOARD TRACE CAPACITANCE OF 3 PF.**

Figure 6. External Components for RTC

## WATCHDOG TIMER

The ADSP-BF531/ADSP-BF532/ADSP-BF533 processor includes a 32-bit timer that can be used to implement a software watchdog function. A software watchdog can improve system availability by forcing the processor to a known state through generation of a hardware reset, nonmaskable interrupt (NMI), or general-purpose interrupt, if the timer expires before being reset by software. The programmer initializes the count value of the timer, enables the appropriate interrupt, then enables the timer. Thereafter, the software must reload the counter before it counts to zero from the programmed value. This protects the system from remaining in an unknown state where software, which would normally reset the timer, has stopped running due to an external noise condition or software error.

If configured to generate a hardware reset, the watchdog timer resets both the core and the ADSP-BF531/ADSP-BF532/ADSP-BF533 processor peripherals. After a reset, software can determine if the watchdog was the source of the hardware reset by interrogating a status bit in the watchdog timer control register.

The timer is clocked by the system clock (SCLK), at a maximum frequency of  $f_{SCLK}$ .

## TIMERS

There are four general-purpose programmable timer units in the ADSP-BF531/ADSP-BF532/ADSP-BF533 processor. Three timers have an external pin that can be configured either as a pulse width modulator (PWM) or timer output, as an input to clock the timer, or as a mechanism for measuring pulse widths and periods of external events. These timers can be synchronized to an external clock input to the PF1 pin, an external clock input to the PPI\_CLK pin, or to the internal SCLK.

The timer units can be used in conjunction with the UART to measure the width of the pulses in the data stream to provide an autobaud detect function for a serial channel.

The timers can generate interrupts to the processor core providing periodic events for synchronization, either to the system clock or to a count of external signals.

In addition to the three general-purpose programmable timers, a fourth timer is also provided. This extra timer is clocked by the internal processor clock and is typically used as a system tick clock for generation of operating system periodic interrupts.

## SERIAL PORTS (SPORTS)

The ADSP-BF531/ADSP-BF532/ADSP-BF533 processor incorporates two dual-channel synchronous serial ports (SPORT0 and SPORT1) for serial and multiprocessor communications. The SPORTs support the following features:

- I<sup>2</sup>S capable operation.
- Bidirectional operation – Each SPORT has two sets of independent transmit and receive pins, enabling eight channels of I<sup>2</sup>S stereo audio.
- Buffered (8-deep) transmit and receive ports – Each port has a data register for transferring data words to and from other processor components and shift registers for shifting data in and out of the data registers.
- Clocking – Each transmit and receive port can either use an external serial clock or generate its own, in frequencies ranging from ( $f_{SCLK}/131,070$ ) Hz to ( $f_{SCLK}/2$ ) Hz.
- Word length – Each SPORT supports serial data words from 3 to 32 bits in length, transferred most-significant-bit first or least-significant-bit first.
- Framing – Each transmit and receive port can run with or without frame sync signals for each data word. Frame sync signals can be generated internally or externally, active high or low, and with either of two pulse widths and early or late frame sync.
- Companding in hardware – Each SPORT can perform A-law or  $\mu$ -law companding according to ITU recommendation G.711. Companding can be selected on the transmit and/or receive channel of the SPORT without additional latencies.
- DMA operations with single-cycle overhead – Each SPORT can automatically receive and transmit multiple buffers of memory data. The processor can link or chain sequences of DMA transfers between a SPORT and memory.
- Interrupts – Each transmit and receive port generates an interrupt upon completing the transfer of a data-word or after transferring an entire data buffer or buffers through DMA.
- Multichannel capability – Each SPORT supports 128 channels out of a 1,024-channel window and is compatible with the H.100, H.110, MVIP-90, and HMVIP standards.

## SERIAL PERIPHERAL INTERFACE (SPI) PORT

The ADSP-BF531/ADSP-BF532/ADSP-BF533 processor has an SPI-compatible port that enables the processor to communicate with multiple SPI-compatible devices.

The SPI interface uses three pins for transferring data: two data pins (master output-slave input, MOSI, and master input-slave output, MISO) and a clock pin (serial clock, SCK). An SPI chip select input pin ( $\overline{SPISS}$ ) lets other SPI devices select the proces-

# ADSP-BF531/ADSP-BF532/ADSP-BF533

sor, and seven SPI chip select output pins ( $\overline{\text{SPSEL7-1}}$ ) let the processor select other SPI devices. The SPI select pins are reconfigurable programmable flag pins. Using these pins, the SPI port provides a full-duplex, synchronous serial interface, which supports both master/slave modes and multimaster environments.

The SPI port's baud rate and clock phase/polarities are programmable, and it has an integrated DMA controller, configurable to support transmit or receive data streams. The SPI's DMA controller can only service unidirectional accesses at any given time.

The SPI port's clock rate is calculated as:

$$\text{SPI Clock Rate} = \frac{f_{\text{SCLK}}}{2 \times \text{SPI\_Baud}}$$

Where the 16-bit SPI\_Baud register contains a value of 2 to 65,535.

During transfers, the SPI port simultaneously transmits and receives by serially shifting data in and out on its two serial data lines. The serial clock line synchronizes the shifting and sampling of data on the two serial data lines.

## UART PORT

The ADSP-BF531/ADSP-BF532/ADSP-BF533 processor provides a full-duplex universal asynchronous receiver/transmitter (UART) port, which is fully compatible with PC-standard UARTs. The UART port provides a simplified UART interface to other peripherals or hosts, supporting full-duplex, DMA-supported, asynchronous transfers of serial data. The UART port includes support for 5 to 8 data bits, 1 or 2 stop bits, and none, even, or odd parity. The UART port supports two modes of operation:

- PIO (programmed I/O) – The processor sends or receives data by writing or reading I/O-mapped UART registers. The data is double-buffered on both transmit and receive.
- DMA (direct memory access) – The DMA controller transfers both transmit and receive data. This reduces the number and frequency of interrupts required to transfer data to and from memory. The UART has two dedicated DMA channels, one for transmit and one for receive. These DMA channels have lower default priority than most DMA channels because of their relatively low service rates.

The UART port's baud rate, serial data format, error code generation and status, and interrupts are programmable:

- Supporting bit rates ranging from ( $f_{\text{SCLK}}/1,048,576$ ) to ( $f_{\text{SCLK}}/16$ ) bits per second.
- Supporting data formats from seven to 12 bits per frame.
- Both transmit and receive operations can be configured to generate maskable interrupts to the processor.

The UART port's clock rate is calculated as:

$$\text{UART Clock Rate} = \frac{f_{\text{SCLK}}}{16 \times \text{UART\_Divisor}}$$

Where the 16-bit UART\_Divisor comes from the DLH register (most significant 8 bits) and DLL register (least significant 8 bits).

In conjunction with the general-purpose timer functions, autobaud detection is supported.

The capabilities of the UART are further extended with support for the Infrared Data Association (IrDA<sup>®</sup>) Serial Infrared Physical Layer Link Specification (SIR) protocol.

## PROGRAMMABLE FLAGS (PFX)

The ADSP-BF531/ADSP-BF532/ADSP-BF533 processor has 16 bidirectional, general-purpose programmable flag (PF15–0) pins. Each programmable flag can be individually controlled by manipulation of the flag control, status and interrupt registers:

- Flag direction control register – Specifies the direction of each individual PFX pin as input or output.
- Flag control and status registers – The ADSP-BF531/ADSP-BF532/ADSP-BF533 processor employs a “write one to modify” mechanism that allows any combination of individual flags to be modified in a single instruction, without affecting the level of any other flags. Four control registers are provided. One register is written in order to set flag values, one register is written in order to clear flag values, one register is written in order to toggle flag values, and one register is written in order to specify a flag value. Reading the flag status register allows software to interrogate the sense of the flags.
- Flag interrupt mask registers – The two flag interrupt mask registers allow each individual PFX pin to function as an interrupt to the processor. Similar to the two flag control registers that are used to set and clear individual flag values, one flag interrupt mask register sets bits to enable interrupt function, and the other flag interrupt mask register clears bits to disable interrupt function. PFX pins defined as inputs can be configured to generate hardware interrupts, while output PFX pins can be triggered by software interrupts.
- Flag interrupt sensitivity registers – The two flag interrupt sensitivity registers specify whether individual PFX pins are level- or edge-sensitive and specify—if edge-sensitive—whether just the rising edge or both the rising and falling edges of the signal are significant. One register selects the type of sensitivity, and one register selects which edges are significant for edge-sensitivity.

## PARALLEL PERIPHERAL INTERFACE

The processor provides a parallel peripheral interface (PPI) that can connect directly to parallel A/D and D/A converters, ITU-R 601/656 video encoders and decoders, and other general-purpose peripherals. The PPI consists of a dedicated input clock pin, up to three frame synchronization pins, and up to 16 data pins. The input clock supports parallel data rates up to half the system clock rate.

In ITU-R 656 modes, the PPI receives and parses a data stream of 8-bit or 10-bit data elements. On-chip decode of embedded preamble control and synchronization information is supported.

Three distinct ITU-R 656 modes are supported:

- Active video only – The PPI does not read in any data between the end of active video (EAV) and start of active video (SAV) preamble symbols, or any data present during the vertical blanking intervals. In this mode, the control byte sequences are not stored to memory; they are filtered by the PPI.
- Vertical blanking only – The PPI only transfers vertical blanking interval (VBI) data, as well as horizontal blanking information and control byte sequences on VBI lines.
- Entire field – The entire incoming bitstream is read in through the PPI. This includes active video, control preamble sequences, and ancillary data that may be embedded in horizontal and vertical blanking intervals.

Though not explicitly supported, ITU-R 656 output functionality can be achieved by setting up the entire frame structure (including active video, blanking, and control information) in memory and streaming the data out the PPI in a frame sync-less mode. The processor's 2D DMA features facilitate this transfer by allowing the static frame buffer (blanking and control codes) to be placed in memory once, and simply updating the active video information on a per-frame basis.

The general-purpose modes of the PPI are intended to suit a wide variety of data capture and transmission applications. The modes are divided into four main categories, each allowing up to 16 bits of data transfer per PPI\_CLK cycle:

- Data receive with internally generated frame syncs
- Data receive with externally generated frame syncs
- Data transmit with internally generated frame syncs
- Data transmit with externally generated frame syncs

These modes support ADC/DAC connections, as well as video communication with hardware signaling. Many of the modes support more than one level of frame synchronization. If desired, a programmable delay can be inserted between assertion of a frame sync and reception/transmission of data.

## DYNAMIC POWER MANAGEMENT

The ADSP-BF531/ADSP-BF532/ADSP-BF533 processor provides five operating modes, each with a different performance/power profile. In addition, dynamic power management provides the control functions to dynamically alter the processor core supply voltage, further reducing power dissipation. Control of clocking to each of the ADSP-BF531/ADSP-BF532/ADSP-BF533 processor peripherals also reduces power consumption. See [Table 4](#) for a summary of the power settings for each mode.

### Full-On Operating Mode—Maximum Performance

In the full-on mode, the PLL is enabled and is not bypassed, providing capability for maximum operational frequency. This is the power-up default execution state in which maximum performance can be achieved. The processor core and all enabled peripherals run at full speed.

### Active Operating Mode—Moderate Power Savings

In the active mode, the PLL is enabled but bypassed. Because the PLL is bypassed, the processor's core clock (CCLK) and system clock (SCLK) run at the input clock (CLKIN) frequency. In this mode, the CLKIN to CCLK multiplier ratio can be changed, although the changes are not realized until the full-on mode is entered. DMA access is available to appropriately configured L1 memories.

In the active mode, it is possible to disable the PLL through the PLL control register (PLL\_CTL). If disabled, the PLL must be re-enabled before transitioning to the full-on or sleep modes.

**Table 4. Power Settings**

| Mode       | PLL              | PLL Bypassed | Core Clock (CCLK) | System Clock (SCLK) | Core Power |
|------------|------------------|--------------|-------------------|---------------------|------------|
| Full-On    | Enabled          | No           | Enabled           | Enabled             | On         |
| Active     | Enabled/Disabled | Yes          | Enabled           | Enabled             | On         |
| Sleep      | Enabled          |              | Disabled          | Enabled             | On         |
| Deep Sleep | Disabled         |              | Disabled          | Disabled            | On         |
| Hibernate  | Disabled         |              | Disabled          | Disabled            | Off        |

### Hibernate Operating Mode—Maximum Static Power Savings

The hibernate mode maximizes static power savings by disabling the voltage and clocks to the processor core (CCLK) and to all the synchronous peripherals (SCLK). The internal voltage regulator for the processor can be shut off by writing b#00 to the FREQ bits of the VR\_CTL register. This disables both CCLK and SCLK. Furthermore, it sets the internal power supply voltage ( $V_{DDINT}$ ) to 0 V to provide the lowest static power dissipation. Any critical information stored internally (memory contents, register contents, etc.) must be written to a nonvolatile storage device prior to removing power if the processor state is to be preserved. Since  $V_{DDEXT}$  is still supplied in this mode, all of the external pins three-state, unless otherwise specified. This allows other devices that may be connected to the processor to have power still applied without drawing unwanted current. The internal supply regulator can be woken up either by a real-time clock wakeup or by asserting the  $\overline{RESET}$  pin.

### Sleep Operating Mode—High Dynamic Power Savings

The sleep mode reduces dynamic power dissipation by disabling the clock to the processor core (CCLK). The PLL and system clock (SCLK), however, continue to operate in this mode. Typically an external event or RTC activity will wake up the processor. When in the sleep mode, assertion of wakeup will

# ADSP-BF531/ADSP-BF532/ADSP-BF533

cause the processor to sense the value of the BYPASS bit in the PLL control register (PLL\_CTL). If BYPASS is disabled, the processor will transition to the full-on mode. If BYPASS is enabled, the processor will transition to the active mode.

When in the sleep mode, system DMA access to L1 memory is not supported.

## Deep Sleep Operating Mode—Maximum Dynamic Power Savings

The deep sleep mode maximizes dynamic power savings by disabling the clocks to the processor core (CCLK) and to all synchronous peripherals (SCLK). Asynchronous peripherals, such as the RTC, may still be running but will not be able to access internal resources or external memory. This powered-down mode can only be exited by assertion of the reset interrupt (RESET) or by an asynchronous interrupt generated by the RTC. When in deep sleep mode, an RTC asynchronous interrupt causes the processor to transition to the active mode. assertion of  $\overline{\text{RESET}}$  while in deep sleep mode causes the processor to transition to the full-on mode.

## Power Savings

As shown in Table 5, the ADSP-BF531/ADSP-BF532/ADSP-BF533 processor supports three different power domains. The use of multiple power domains maximizes flexibility, while maintaining compliance with industry standards and conventions. By isolating the internal logic of the ADSP-BF531/ADSP-BF532/ADSP-BF533 processor into its own power domain, separate from the RTC and other I/O, the processor can take advantage of dynamic power management, without affecting the RTC or other I/O devices. There are no sequencing requirements for the various power domains.

Table 5. Power Domains

| Power Domain                       | VDD Range          |
|------------------------------------|--------------------|
| All internal logic, except RTC     | $V_{\text{DDINT}}$ |
| RTC internal logic and crystal I/O | $V_{\text{DDRTC}}$ |
| All other I/O                      | $V_{\text{DDEXT}}$ |

The power dissipated by a processor is largely a function of the clock frequency of the processor and the square of the operating voltage. For example, reducing the clock frequency by 25% results in a 25% reduction in dynamic power dissipation, while reducing the voltage by 25% reduces dynamic power dissipation by more than 40%. Further, these power savings are additive, in that if the clock frequency and supply voltage are both reduced, the power savings can be dramatic.

The dynamic power management feature of the ADSP-BF531/ADSP-BF532/ADSP-BF533 processor allows both the processor's input voltage ( $V_{\text{DDINT}}$ ) and clock frequency ( $f_{\text{CCLK}}$ ) to be dynamically controlled.

The savings in power dissipation can be modeled using the power savings factor and % power savings calculations.

The power savings factor is calculated as:

power savings factor

$$= \frac{f_{\text{CCLKRED}}}{f_{\text{CCLKNOM}}} \times \left( \frac{V_{\text{DDINTRED}}}{V_{\text{DDINTNOM}}} \right)^2 \times \left( \frac{T_{\text{RED}}}{T_{\text{NOM}}} \right)$$

where the variables in the equations are:

- $f_{\text{CCLKNOM}}$  is the nominal core clock frequency
- $f_{\text{CCLKRED}}$  is the reduced core clock frequency
- $V_{\text{DDINTNOM}}$  is the nominal internal supply voltage
- $V_{\text{DDINTRED}}$  is the reduced internal supply voltage
- $T_{\text{NOM}}$  is the duration running at  $f_{\text{CCLKNOM}}$
- $T_{\text{RED}}$  is the duration running at  $f_{\text{CCLKRED}}$

The percent power savings is calculated as:

$$\% \text{ power savings} = (1 - \text{power savings factor}) \times 100\%$$

## VOLTAGE REGULATION

The Blackfin processor provides an on-chip voltage regulator that can generate processor core voltage levels 0.85 V to 1.2 V from an external 2.25 V to 3.6 V supply. Figure 7 shows the typical external components required to complete the power management system. The regulator controls the internal logic voltage levels and is programmable with the voltage regulator control register (VR\_CTL) in increments of 50 mV. To reduce standby power consumption, the internal voltage regulator can be programmed to remove power to the processor core while keeping I/O power ( $V_{\text{DDEXT}}$ ) supplied. While in hibernation,  $V_{\text{DDEXT}}$  can still be applied, eliminating the need for external buffers. The voltage regulator can be activated from this power-down state either through an RTC wakeup or by asserting  $\overline{\text{RESET}}$ , which will then initiate a boot sequence. The regulator can also be disabled and bypassed at the user's discretion.

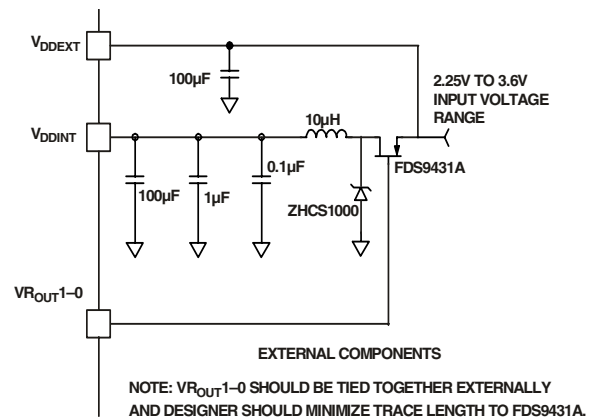


Figure 7. Voltage Regulator Circuit

\* See EE-228: Switching Regulator Design Considerations for ADSP-BF533 Blackfin Processors.

## CLOCK SIGNALS

The ADSP-BF531/ADSP-BF532/ADSP-BF533 processor can be clocked by an external crystal, a sine wave input, or a buffered, shaped clock derived from an external clock oscillator.

If an external clock is used, it must not be halted, changed, or operated below the specified frequency during normal operation. This signal is connected to the processor's CLKIN pin. When an external clock is used, the XTAL pin must be left unconnected.

Alternatively, because the ADSP-BF531/ADSP-BF532/ADSP-BF533 processor includes an on-chip oscillator circuit, an external crystal may be used. The crystal should be connected across the CLKIN and XTAL pins, with two capacitors connected as shown in Figure 8. Capacitor values are dependent on crystal type and should be specified by the crystal manufacturer. A parallel-resonant, fundamental frequency, microprocessor-grade crystal should be used.

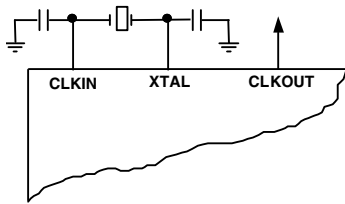


Figure 8. External Crystal Connections

As shown in Figure 9 on Page 13, the core clock (CCLK) and system peripheral clock (SCLK) are derived from the input clock (CLKIN) signal. An on-chip PLL is capable of multiplying the CLKIN signal by a user programmable 1x to 63x multiplication factor (bounded by specified minimum and maximum VCO frequencies). The default multiplier is 10x, but it can be modified by a software instruction sequence. On-the-fly frequency changes can be effected by simply writing to the PLL\_DIV register.

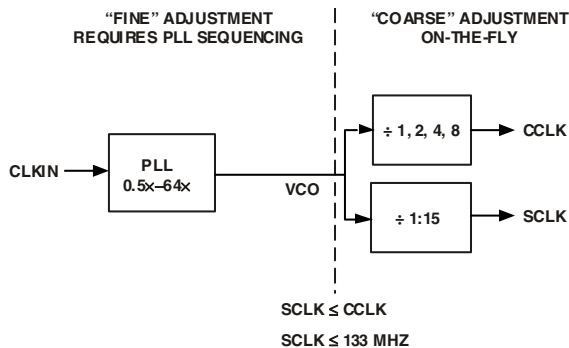


Figure 9. Frequency Modification Methods

All on-chip peripherals are clocked by the system clock (SCLK). The system clock frequency is programmable by means of the SSEL3-0 bits of the PLL\_DIV register. The values programmed

into the SSEL fields define a divide ratio between the PLL output (VCO) and the system clock. SCLK divider values are 1 through 15. Table 6 illustrates typical system clock ratios.

Table 6. Example System Clock Ratios

| Signal Name<br>SSEL3-0 | Divider Ratio<br>VCO/SCLK | Example Frequency Ratios<br>(MHz) |      |
|------------------------|---------------------------|-----------------------------------|------|
|                        |                           | VCO                               | SCLK |
| 0001                   | 1:1                       | 100                               | 100  |
| 0011                   | 3:1                       | 400                               | 133  |
| 1010                   | 10:1                      | 500                               | 50   |

The maximum frequency of the system clock is  $f_{SCLK}$ . Note that the divisor ratio must be chosen to limit the system clock frequency to its maximum of  $f_{SCLK}$ . The SSEL value can be changed dynamically without any PLL lock latencies by writing the appropriate values to the PLL divisor register (PLL\_DIV).

The core clock (CCLK) frequency can also be dynamically changed by means of the CSEL1-0 bits of the PLL\_DIV register. Supported CCLK divider ratios are 1, 2, 4, and 8, as shown in Table 7. This programmable core clock capability is useful for fast core frequency modifications.

Table 7. Core Clock Ratios

| Signal Name<br>CSEL1-0 | Divider Ratio<br>VCO/CCLK | Example Frequency Ratios<br>VCO | CCLK |
|------------------------|---------------------------|---------------------------------|------|
| 00                     | 1:1                       | 300                             | 300  |
| 01                     | 2:1                       | 300                             | 150  |
| 10                     | 4:1                       | 500                             | 125  |
| 11                     | 8:1                       | 200                             | 25   |

## BOOTING MODES

The ADSP-BF531/ADSP-BF532/ADSP-BF533 processor has two mechanisms (listed in Table 8) for automatically loading internal L1 instruction memory after a reset. A third mode is provided to execute from external memory, bypassing the boot sequence.

Table 8. Booting Modes

| BMODE1-0 | Description  |
|----------|--|
| 00       | Execute from 16-bit external memory (bypass boot ROM)          |
| 01       | Boot from 8-bit or 16-bit FLASH                                |
| 10       | Boot from SPI host slave mode)                                 |
| 11       | Boot from SPI serial EEPROM (8-, 16-, or 24-bit address range) |

# ADSP-BF531/ADSP-BF532/ADSP-BF533

The BMODE pins of the reset configuration register, sampled during power-on resets and software-initiated resets, implement the following modes:

- Execute from 16-bit external memory – Execution starts from address 0x2000 0000 with 16-bit packing. The boot ROM is bypassed in this mode. All configuration settings are set for the slowest device possible (3-cycle hold time; 15-cycle R/W access times; 4-cycle setup).
- Boot from 8-bit or 16-bit external flash memory – The flash boot routine located in boot ROM memory space is set up using asynchronous memory bank 0. All configuration settings are set for the slowest device possible (3-cycle hold time; 15-cycle R/W access times; 4-cycle setup).
- Boot from SPI serial EEPROM (8, 16, or 24-bit addressable) – The SPI uses the PF2 output pin to select a single SPI EEPROM device, submits successive read commands at addresses 0x00, 0x0000, and 0x000000 until a valid 8-, 16-, or 24-bit addressable EEPROM is detected, and begins clocking data into the beginning of L1 instruction memory.

For each of the boot modes, a 10-byte header is first read from an external memory device. The header specifies the number of bytes to be transferred and the memory destination address. Multiple memory blocks may be loaded by any boot sequence. Once all blocks are loaded, program execution commences from the start of L1 instruction SRAM.

In addition, Bit 4 of the reset configuration register can be set by application code to bypass the normal boot sequence during a software reset. For this case, the processor jumps directly to the beginning of L1 instruction memory.

## INSTRUCTION SET DESCRIPTION

The Blackfin processor family assembly language instruction set employs an algebraic syntax designed for ease of coding and readability. The instructions have been specifically tuned to provide a flexible, densely encoded instruction set that compiles to a very small final memory size. The instruction set also provides fully featured multifunction instructions that allow the programmer to use many of the processor core resources in a single instruction. Coupled with many features more often seen on microcontrollers, this instruction set is very efficient when compiling C and C++ source code. In addition, the architecture supports both user (algorithm/application code) and supervisor (O/S kernel, device drivers, debuggers, ISRs) modes of operation, allowing multiple levels of access to core processor resources.

The assembly language, which takes advantage of the processor's unique architecture, offers the following advantages:

- Seamlessly integrated DSP/CPU features are optimized for both 8-bit and 16-bit operations.
- A multi-issue load/store modified Harvard architecture, which supports two 16-bit MAC or four 8-bit ALU + two load/store + two pointer updates per cycle.

- All registers, I/O, and memory are mapped into a unified 4G byte memory space, providing a simplified programming model.
- Microcontroller features, such as arbitrary bit and bit-field manipulation, insertion, and extraction; integer operations on 8-, 16-, and 32-bit data types; and separate user and supervisor stack pointers.
- Code density enhancements, which include intermixing of 16- and 32-bit instructions (no mode switching, no code segregation). Frequently used instructions are encoded in 16 bits.

## DEVELOPMENT TOOLS

The ADSP-BF531/ADSP-BF532/ADSP-BF533 processor is supported with a complete set of CROSSCORE<sup>†</sup> software and hardware development tools, including Analog Devices emulators and VisualDSP++<sup>‡</sup> development environment. The same emulator hardware that supports other Blackfin processors also fully emulates the ADSP-BF531/ADSP-BF532/ADSP-BF533 processor.

The VisualDSP++ project management environment lets programmers develop and debug an application. This environment includes an easy to use assembler (which is based on an algebraic syntax), an archiver (librarian/library builder), a linker, a loader, a cycle-accurate instruction level simulator, a C/C++ compiler, and a C/C++ runtime library that includes DSP and mathematical functions. A key point for these tools is C/C++ code efficiency. The compiler has been developed for efficient translation of C/C++ code to processor assembly. The processor has architectural features that improve the efficiency of compiled C/C++ code.

The VisualDSP++ debugger has a number of important features. Data visualization is enhanced by a plotting package that offers a significant level of flexibility. This graphical representation of user data enables the programmer to quickly determine the performance of an algorithm. As algorithms grow in complexity, this capability can have increasing significance on the designer's development schedule, increasing productivity. Statistical profiling enables the programmer to nonintrusively poll the processor as it is running the program. This feature, unique to VisualDSP++, enables the software developer to passively gather important code execution metrics without interrupting the real-time characteristics of the program. Essentially, the developer can identify bottlenecks in software quickly and efficiently. By using the profiler, the programmer can focus on those areas in the program that impact performance and take corrective action.

<sup>†</sup>CROSSCORE is a registered trademark of Analog Devices, Inc.

<sup>‡</sup>VisualDSP++ is a registered trademark of Analog Devices, Inc.

Debugging both C/C++ and assembly programs with the VisualDSP++ debugger, programmers can:

- View mixed C/C++ and assembly code (interleaved source and object information).
- Insert breakpoints.
- Set conditional breakpoints on registers, memory, and stacks.
- Trace instruction execution.
- Perform linear or statistical profiling of program execution.
- Fill, dump, and graphically plot the contents of memory.
- Perform source level debugging.
- Create custom debugger windows.

The VisualDSP++ IDDE lets programmers define and manage software development. Its dialog boxes and property pages let programmers configure and manage all of the Blackfin development tools, including the color syntax highlighting in the VisualDSP++ editor. This capability permits programmers to:

- Control how the development tools process inputs and generate outputs.
- Maintain a one-to-one correspondence with the tool's command line switches.

The VisualDSP++ Kernel (VDK) incorporates scheduling and resource management tailored specifically to address the memory and timing constraints of DSP programming. These capabilities enable engineers to develop code more effectively, eliminating the need to start from the very beginning, when developing new application code. The VDK features include threads, critical and unscheduled regions, semaphores, events, and device flags. The VDK also supports priority-based, preemptive, cooperative, and time-sliced scheduling approaches. In addition, the VDK was designed to be scalable. If the application does not use a specific feature, the support code for that feature is excluded from the target system.

Because the VDK is a library, a developer can decide whether to use it or not. The VDK is integrated into the VisualDSP++ development environment, but can also be used via standard command line tools. When the VDK is used, the development environment assists the developer with many error prone tasks and assists in managing system resources, automating the generation of various VDK-based objects, and visualizing the system state, when debugging an application that uses the VDK.

VCSE is Analog Devices technology for creating, using, and reusing software components (independent modules of substantial functionality) to quickly and reliably assemble software applications. Components can be downloaded from the Web and dropped into the application. Component archives can be published from within VisualDSP++. VCSE supports component implementation in C/C++ or assembly language.

Use the expert linker to visually manipulate the placement of code and data on the embedded system. View memory utilization in a color coded graphical form, easily move code and data to different areas of the processor or external memory with the drag of the mouse, and examine runtime stack and heap usage.

The expert linker is fully compatible with existing linker definition file (LDF), allowing the developer to move between the graphical and textual environments.

Analog Devices emulators use the IEEE 1149.1 JTAG test access port of the ADSP-BF531/ADSP-BF532/ADSP-BF533 processor to monitor and control the target board processor during emulation. The emulator provides full speed emulation, allowing inspection and modification of memory, registers, and processor stacks. Nonintrusive in-circuit emulation is assured by the use of the processor's JTAG interface—the emulator does not affect target system loading or timing.

In addition to the software and hardware development tools available from Analog Devices, third parties provide a wide range of tools supporting the Blackfin processor family. Hardware tools include Blackfin processor PC plug-in cards. Third party software tools include DSP libraries, real-time operating systems, and block diagram design tools.

## DESIGNING AN EMULATOR-COMPATIBLE PROCESSOR BOARD

The Analog Devices family of emulators are tools that every system developer needs to test and debug hardware and software systems. Analog Devices has supplied an IEEE 1149.1 JTAG test access port (TAP) on each JTAG processor. The emulator uses the TAP to access the internal features of the processor, allowing the developer to load code, set breakpoints, observe variables, observe memory, and examine registers. The processor must be halted to send data and commands, but once an operation has been completed by the emulator, the processor system is set running at full speed with no impact on system timing.

To use these emulators, the target board must include a header that connects the processor's JTAG port to the emulator.

For details on target board design issues including mechanical layout, single processor connections, multiprocessor scan chains, signal buffering, signal termination, and emulator pod logic, see the *EE-68: Analog Devices JTAG Emulation Technical Reference* on the Analog Devices website ([www.analog.com](http://www.analog.com))—use site search on “EE-68.” This document is updated regularly to keep pace with improvements to emulator support.

# ADSP-BF531/ADSP-BF532/ADSP-BF533

## PIN DESCRIPTIONS

ADSP-BF531/ADSP-BF532/ADSP-BF533 processor pin definitions are listed in [Table 9](#).

All pins are three-stated during and immediately after reset, except the memory interface, asynchronous memory control, and synchronous memory control pins, which are driven high.

If  $\overline{BR}$  is active, then the memory pins are also three-stated. All unused I/O pins have their input buffers disabled with the exception of the pins that need pull-ups or pull-downs as noted in the table footnotes.

In order to maintain maximum functionality and reduce package size and pin count, some pins have dual, multiplexed functionality. In cases where pin functionality is reconfigurable, the default state is shown in plain text, while alternate functionality is shown in italics.

**Table 9. Pin Descriptions**

| Pin Name                               | I/O | Function                                      | Driver Type <sup>1</sup> |
|--|-----|---|--------------------------|
| <i>Memory Interface</i>                |     |   |                          |
| ADDR19–1                               | O   | Address Bus for Async/Sync Access             | A <sup>2</sup>           |
| DATA15–0                               | I/O | Data Bus for Async/Sync Access                | A <sup>2</sup>           |
| $\overline{ABE1-0}/\overline{SDQM1-0}$ | O   | Byte Enables/Data Masks for Async/Sync Access | A <sup>2</sup>           |
| $\overline{BR}^3$                      | I   | Bus Request                                   |                          |
| $\overline{BG}$                        | O   | Bus Grant                                     | A <sup>2</sup>           |
| $\overline{BGH}$                       | O   | Bus Grant Hang                                | A <sup>2</sup>           |
| <i>Asynchronous Memory Control</i>     |     |   |                          |
| $\overline{AMS3-0}$                    | O   | Bank Select                                   | A <sup>2</sup>           |
| ARDY                                   | I   | Hardware Ready Control                        |                          |
| $\overline{AOE}$                       | O   | Output Enable                                 | A <sup>2</sup>           |
| $\overline{ARE}$                       | O   | Read Enable                                   | A <sup>2</sup>           |
| $\overline{AWE}$                       | O   | Write Enable                                  | A <sup>2</sup>           |
| <i>Synchronous Memory Control</i>      |     |   |                          |
| $\overline{SRAS}$                      | O   | Row Address Strobe                            | A <sup>2</sup>           |
| $\overline{SCAS}$                      | O   | Column Address Strobe                         | A <sup>2</sup>           |
| $\overline{SWE}$                       | O   | Write Enable                                  | A <sup>2</sup>           |
| SCKE                                   | O   | Clock Enable                                  | A <sup>2</sup>           |
| CLKOUT                                 | O   | Clock Output                                  | B <sup>4</sup>           |
| SA10                                   | O   | A10 Pin                                       | A <sup>2</sup>           |
| $\overline{SMS}$                       | O   | Bank Select                                   | A <sup>2</sup>           |
| <i>Timers</i>                          |     |   |                          |
| TMR0                                   | I/O | Timer 0                                       | C <sup>5</sup>           |
| TMR1/PPI_FS1                           | I/O | Timer 1/PPI Frame Sync1                       | C <sup>5</sup>           |
| TMR2/PPI_FS2                           | I/O | Timer 2/PPI Frame Sync2                       | C <sup>5</sup>           |



**Table 9. Pin Descriptions (Continued)**

| Pin Name                                       | I/O | Function   | Driver Type <sup>1</sup> |
|--|-----|--|--------------------------|
| <i>Parallel Peripheral Interface Port/GPIO</i> |     |  |                          |
| PF0/ $\overline{SPISS}$                        | I/O | Programmable Flag 0/ <i>SPI Slave Select Input</i>                             | C <sup>5</sup>           |
| PF1/ <i>SPISEL1/TMRCLK</i>                     | I/O | Programmable Flag 1/ <i>SPI Slave Select Enable 1/External Timer Reference</i> | C <sup>5</sup>           |
| PF2/ <i>SPISEL2</i>                            | I/O | Programmable Flag 2/ <i>SPI Slave Select Enable 2</i>                          | C <sup>5</sup>           |
| PF3/ <i>SPISEL3/PPI_FS3</i>                    | I/O | Programmable Flag 3/ <i>SPI Slave Select Enable 3/PPI Frame Sync 3</i>         | C <sup>5</sup>           |
| PF4/ <i>SPISEL4/PPI15</i>                      | I/O | Programmable Flag 4/ <i>SPI Slave Select Enable 4 / PPI 15</i>                 | C <sup>5</sup>           |
| PF5/ <i>SPISEL5/PPI14</i>                      | I/O | Programmable Flag 5/ <i>SPI Slave Select Enable 5 / PPI 14</i>                 | C <sup>5</sup>           |
| PF6/ <i>SPISEL6/PPI13</i>                      | I/O | Programmable Flag 6/ <i>SPI Slave Select Enable 6 / PPI 13</i>                 | C <sup>5</sup>           |
| PF7/ <i>SPISEL7/PPI12</i>                      | I/O | Programmable Flag 7/ <i>SPI Slave Select Enable 7 / PPI 12</i>                 | C <sup>5</sup>           |
| PF8/ <i>PPI11</i>                              | I/O | Programmable Flag 8/ <i>PPI 11</i>   | C <sup>5</sup>           |
| PF9/ <i>PPI10</i>                              | I/O | Programmable Flag 9/ <i>PPI 10</i>   | C <sup>5</sup>           |
| PF10/ <i>PPI9</i>                              | I/O | Programmable Flag 10/ <i>PPI 9</i>   | C <sup>5</sup>           |
| PF11/ <i>PPI8</i>                              | I/O | Programmable Flag 11/ <i>PPI 8</i>   | C <sup>5</sup>           |
| PF12/ <i>PPI7</i>                              | I/O | Programmable Flag 12/ <i>PPI 7</i>   | C <sup>5</sup>           |
| PF13/ <i>PPI6</i>                              | I/O | Programmable Flag 13/ <i>PPI 6</i>   | C <sup>5</sup>           |
| PF14/ <i>PPI5</i>                              | I/O | Programmable Flag 14/ <i>PPI 5</i>   | C <sup>5</sup>           |
| PF15/ <i>PPI4</i>                              | I/O | Programmable Flag 15/ <i>PPI 4</i>   | C <sup>5</sup>           |
| PPI3-0   | I/O | PPI3-0   | C <sup>5</sup>           |
| PPI_CLK  | I   | PPI Clock  | C <sup>5</sup>           |
| <i>Serial Ports</i>                            |     |  |                          |
| RSCLK0   | I/O | SPORT0 Receive Serial Clock  | D <sup>6</sup>           |
| RFS0   | I/O | SPORT0 Receive Frame Sync  | C <sup>5</sup>           |
| DR0PRI   | I   | SPORT0 Receive Data Primary  |                          |
| DR0SEC   | I   | SPORT0 Receive Data Secondary  |                          |
| TSCLK0   | I/O | SPORT0 Transmit Serial Clock   | D <sup>6</sup>           |
| TFS0   | I/O | SPORT0 Transmit Frame Sync   | C <sup>5</sup>           |
| DT0PRI   | O   | SPORT0 Transmit Data Primary   | C <sup>5</sup>           |
| DT0SEC   | O   | SPORT0 Transmit Data Secondary   | C <sup>5</sup>           |
| RSCLK1   | I/O | SPORT1 Receive Serial Clock  | D <sup>6</sup>           |
| RFS1   | I/O | SPORT1 Receive Frame Sync  | C <sup>5</sup>           |
| DR1PRI   | I   | SPORT1 Receive Data Primary  |                          |
| DR1SEC   | I   | SPORT1 Receive Data Secondary  |                          |
| TSCLK1   | I/O | SPORT1 Transmit Serial Clock   | D <sup>6</sup>           |
| TFS1   | I/O | SPORT1 Transmit Frame Sync   | C <sup>5</sup>           |
| DT1PRI   | O   | SPORT1 Transmit Data Primary   | C <sup>5</sup>           |
| DT1SEC   | O   | SPORT1 Transmit Data Secondary   | C <sup>5</sup>           |
| <i>SPI Port</i>                                |     |  |                          |
| MOSI   | I/O | Master Out Slave In  | C <sup>5</sup>           |
| MISO <sup>7</sup>                              | I/O | Master In Slave Out  | C <sup>5</sup>           |
| SCK  | I/O | SPI Clock  | D <sup>6</sup>           |

# ADSP-BF531/ADSP-BF532/ADSP-BF533

Table 9. Pin Descriptions (Continued)

| Pin Name                   | I/O | Function                     | Driver Type <sup>1</sup> |
|----------------------------|-----|------------------------------|--------------------------|
| <i>UART Port</i>           |     |                              |                          |
| RX                         | I   | UART Receive                 |                          |
| TX                         | O   | UART Transmit                | C <sup>5</sup>           |
| <i>Real-Time Clock</i>     |     |                              |                          |
| RTXI <sup>8</sup>          | I   | RTC Crystal Input            |                          |
| RTXO                       | O   | RTC Crystal Output           |                          |
| <i>JTAG Port</i>           |     |                              |                          |
| TCK                        | I   | JTAG Clock                   |                          |
| TDO                        | O   | JTAG Serial Data Out         | C <sup>5</sup>           |
| TDI                        | I   | JTAG Serial Data In          |                          |
| TMS                        | I   | JTAG Mode Select             |                          |
| $\overline{\text{TRST}}^9$ | I   | JTAG Reset                   |                          |
| $\overline{\text{EMU}}$    | O   | Emulation Output             | C <sup>5</sup>           |
| <i>Clock</i>               |     |                              |                          |
| CLKIN                      | I   | Clock/Crystal Input          |                          |
| XTAL                       | O   | Crystal Output               |                          |
| <i>Mode Controls</i>       |     |                              |                          |
| $\overline{\text{RESET}}$  | I   | Reset                        |                          |
| NMI <sup>8</sup>           | I   | Nonmaskable Interrupt        |                          |
| BMODE1-0                   | I   | Boot Mode Strap              |                          |
| <i>Voltage Regulator</i>   |     |                              |                          |
| VROUT1-0                   | O   | External FET Drive           |                          |
| <i>Supplies</i>            |     |                              |                          |
| V <sub>DDEXT</sub>         | P   | I/O Power Supply             |                          |
| V <sub>DDINT</sub>         | P   | Core Power Supply            |                          |
| V <sub>DDRTC</sub>         | P   | Real-Time Clock Power Supply |                          |
| GND                        | G   | External Ground              |                          |

<sup>1</sup>Refer to Figure 26 on Page 38 to Figure 30 on Page 39.

<sup>2</sup>See Figure 25 and Figure 26 on Page 38

<sup>3</sup>This pin should be pulled HIGH when not used.

<sup>4</sup>See Figure 27 and Figure 28 on Page 38

<sup>5</sup>See Figure 29 and Figure 30 on Page 39

<sup>6</sup>See Figure 31 and Figure 32 on Page 39

<sup>7</sup>This pin should always be pulled HIGH through a 4.7 k $\Omega$  resistor if booting via the SPI port.

<sup>8</sup>This pin should always be pulled LOW when not used.

<sup>9</sup>This pin should be pulled LOW if the JTAG port will not be used.

## SPECIFICATIONS

Component specifications are subject to change without notice.

### RECOMMENDED OPERATING CONDITIONS

| Parameter     |   | Minimum | Nominal    | Maximum | Unit |
|---------------|---|---------|------------|---------|------|
| $V_{DDINT}$   | Internal Supply Voltage (ADSP-BF531 and ADSP-BF532)             | 0.8     | 1.2        | 1.32    | V    |
| $V_{DDINT}$   | Internal Supply Voltage (ADSP-BF533)                            | 0.8     | 1.26       | 1.32    | V    |
| $V_{DDEXT}$   | External Supply Voltage   | 2.25    | 2.5 or 3.3 | 3.6     | V    |
| $V_{DDRTC}$   | Real-Time Clock Power Supply Voltage                            | 2.25    |            | 3.6     | V    |
| $V_{IH}$      | High Level Input Voltage <sup>1,2</sup> @ $V_{DDEXT}$ = maximum | 2.0     |            | 3.6     | V    |
| $V_{IHCLKIN}$ | High Level Input Voltage <sup>3</sup> @ $V_{DDEXT}$ = maximum   | 2.2     |            | 3.6     | V    |
| $V_{IL}$      | Low Level Input Voltage <sup>2,4</sup> @ $V_{DDEXT}$ = minimum  | -0.3    |            | 0.6     | V    |

<sup>1</sup>The ADSP-BF531/ADSP-BF532/ADSP-BF533 processor is 3.3 V tolerant (always accepts up to 3.6 V maximum  $V_{IH}$ ), but voltage compliance (on outputs,  $V_{OH}$ ) depends on the input  $V_{DDEXT}$ , because  $V_{OH}$  (maximum) approximately equals  $V_{DDEXT}$  (maximum). This 3.3 V tolerance applies to bidirectional pins (DATA15-0, TMR2-0, PF15-0, PPI3-0, RSCLK1-0, TSCLK1-0, RFS1-0, TFS1-0, MOSI, MISO, SCK) and input only pins ( $\overline{BR}$ , ARDY, PPI\_CLK, DR0PRI, DR0SEC, DR1PRI, DR1SEC, RX, RTXI, TCK, TDI, TMS,  $\overline{TRST}$ , CLKIN, RESET, NMI, and BMODE1-0).

<sup>2</sup>Parameter value applies to all input and bidirectional pins except CLKIN.

<sup>3</sup>Parameter value applies to CLKIN pin only.

<sup>4</sup>Parameter value applies to all input and bidirectional pins.

### ELECTRICAL CHARACTERISTICS

| Parameter |  | Test Conditions   | Minimum | Maximum | Unit          |
|-----------|--|---|---------|---------|---------------|
| $V_{OH}$  | High Level Output Voltage <sup>1</sup>     | @ $V_{DDEXT} = 3.0V$ , $I_{OH} = -0.5$ mA                             | 2.4     |         | V             |
| $V_{OL}$  | Low Level Output Voltage <sup>2</sup>      | @ $V_{DDEXT} = 3.0V$ , $I_{OL} = 2.0$ mA                              |         | 0.4     | V             |
| $I_{IH}$  | High Level Input Current <sup>2</sup>      | @ $V_{DDEXT} = \text{maximum}$ , $V_{IN} = V_{DD}$ maximum            |         | 10.0    | $\mu\text{A}$ |
| $I_{IHP}$ | High Level Input Current JTAG <sup>3</sup> | @ $V_{DDEXT} = \text{maximum}$ , $V_{IN} = V_{DD}$ maximum            |         | 20.0    | $\mu\text{A}$ |
| $I_{IL}$  | Low Level Input Current <sup>4</sup>       | @ $V_{DDEXT} = \text{maximum}$ , $V_{IN} = 0$ V                       |         | 10.0    | $\mu\text{A}$ |
| $I_{OZH}$ | Three-State Leakage Current <sup>4</sup>   | @ $V_{DDEXT} = \text{maximum}$ , $V_{IN} = V_{DD}$ maximum            |         | 10.0    | $\mu\text{A}$ |
| $I_{OZL}$ | Three-State Leakage Current <sup>5</sup>   | @ $V_{DDEXT} = \text{maximum}$ , $V_{IN} = 0$ V                       |         | 10.0    | $\mu\text{A}$ |
| $C_{IN}$  | Input Capacitance <sup>5,6</sup>           | $f_{IN} = 1$ MHz, $T_{AMBIENT} = 25^\circ\text{C}$ , $V_{IN} = 2.5$ V |         | 8.0     | pF            |

<sup>1</sup>Applies to output and bidirectional pins.

<sup>2</sup>Applies to input pins except JTAG inputs.

<sup>3</sup>Applies to JTAG input pins (TCK, TDI, TMS,  $\overline{TRST}$ ).

<sup>4</sup>Applies to three-statable pins.

<sup>5</sup>Applies to all signal pins.

<sup>6</sup>Guaranteed, but not tested.

# ADSP-BF531/ADSP-BF532/ADSP-BF533

## ABSOLUTE MAXIMUM RATINGS

Stresses greater than those listed in the table may cause permanent damage to the device. These are stress ratings only. Functional operation of the device at these or any other conditions greater than those indicated in the operational sections of this specification is not implied. Exposure to absolute maximum rating conditions for extended periods may affect device reliability.

For proper SDRAM controller operation, the maximum load capacitance is 50 pF (at 3.3 V) or 30 pF (at 2.5 V) for ADDR19-1, DATA15-0, ABE1-0/SDQM1-0, CLKOUT, SCKE, SA10, SRA $\bar{S}$ , SCA $\bar{S}$ , SWE, and SMS.

| Parameter                                      | Rating                        |
|--|-------------------------------|
| Internal (Core) Supply Voltage ( $V_{DDINT}$ ) | -0.3 V to +1.4 V              |
| External (I/O) Supply Voltage ( $V_{DDEXT}$ )  | -0.3 V to +3.8 V              |
| Input Voltage                                  | -0.5 V to 3.6 V               |
| Output Voltage Swing                           | -0.5 V to $V_{DDEXT} + 0.5$ V |
| Load Capacitance                               | 200 pF                        |
| ADSP-BF533 Core Clock (CCLK)                   | 600 MHz                       |
| ADSP-BF532/BF531 Core Clock (CCLK)             | 400 MHz                       |
| Peripheral Clock (SCLK)                        | 133 MHz                       |
| Storage Temperature Range                      | -65°C to +150°C               |
| Junction Temperature Under Bias                | 125°C                         |

## ESD SENSITIVITY

### CAUTION

ESD (electrostatic discharge) sensitive device. Electrostatic charges as high as 4000 V readily accumulate on the human body and test equipment and can discharge without detection. Although the ADSP-BF531/ADSP-BF532/ADSP-BF533 processor features proprietary ESD protection circuitry, permanent damage may occur on devices subjected to high energy electrostatic discharges. Therefore, proper ESD precautions are recommended to avoid performance degradation or loss of functionality.



# ADSP-BF531/ADSP-BF532/ADSP-BF533

## TIMING SPECIFICATIONS

Table 10 through Table 14 describe the timing requirements for the ADSP-BF531/ADSP-BF532/ADSP-BF533 processor clocks. Take care in selecting MSEL, SSEL, and CSEL ratios so as not to exceed the maximum core clock and system clock as described

in Absolute Maximum Ratings on Page 20, and the voltage controlled oscillator (VCO) operating frequencies described in Table 13. Table 13 describes phase-locked loop operating conditions.

**Table 10. Core and System Clock Requirements—ADSP-BF533SKBC600**

| Parameter  | Min                                 | Max | Unit |
|--|-------------------------------------|-----|------|
| t <sub>CCLK</sub> Core Cycle Period (V <sub>DDINT</sub> = 1.2 V minimum)   | 1.67                                |     | ns   |
| t <sub>CCLK</sub> Core Cycle Period (V <sub>DDINT</sub> = 1.045 V minimum) | 2.10                                |     | ns   |
| t <sub>CCLK</sub> Core Cycle Period (V <sub>DDINT</sub> = 0.95 V minimum)  | 2.35                                |     | ns   |
| t <sub>CCLK</sub> Core Cycle Period (V <sub>DDINT</sub> = 0.85 V minimum)  | 2.66                                |     | ns   |
| t <sub>CCLK</sub> Core Cycle Period (V <sub>DDINT</sub> = 0.8 V)           | 4.00                                |     | ns   |
| t <sub>SCLK</sub> System Clock Period                                      | Maximum of 7.5 or t <sub>CCLK</sub> |     | ns   |

**Table 11. Core and System Clock Requirements—ADSP-BF533SBBC500 and ADSP-BF533SBBZ500**

| Parameter  | Min                                 | Max | Unit |
|--|-------------------------------------|-----|------|
| t <sub>CCLK</sub> Core Cycle Period (V <sub>DDINT</sub> = 1.2 V minimum)   | 2.0                                 |     | ns   |
| t <sub>CCLK</sub> Core Cycle Period (V <sub>DDINT</sub> = 1.045 V minimum) | 2.25                                |     | ns   |
| t <sub>CCLK</sub> Core Cycle Period (V <sub>DDINT</sub> = 0.95 V minimum)  | 2.50                                |     | ns   |
| t <sub>CCLK</sub> Core Cycle Period (V <sub>DDINT</sub> = 0.85 V minimum)  | 3.00                                |     | ns   |
| t <sub>CCLK</sub> Core Cycle Period (V <sub>DDINT</sub> = 0.8 V)           | 4.00                                |     | ns   |
| t <sub>SCLK</sub> System Clock Period                                      | Maximum of 7.5 or t <sub>CCLK</sub> |     | ns   |

**Table 12. Core and System Clock Requirements—ADSP-BF532/ADSP-BF531 All Package Types**

| Parameter  | Min                                 | Max | Unit |
|--|-------------------------------------|-----|------|
| t <sub>CCLK</sub> Core Cycle Period (V <sub>DDINT</sub> = 1.14 V minimum)  | 2.5                                 |     | ns   |
| t <sub>CCLK</sub> Core Cycle Period (V <sub>DDINT</sub> = 1.045 V minimum) | 2.75                                |     | ns   |
| t <sub>CCLK</sub> Core Cycle Period (V <sub>DDINT</sub> = 0.95 V minimum)  | 3.00                                |     | ns   |
| t <sub>CCLK</sub> Core Cycle Period (V <sub>DDINT</sub> = 0.85 V minimum)  | 3.25                                |     | ns   |
| t <sub>CCLK</sub> Core Cycle Period (V <sub>DDINT</sub> = 0.8 V)           | 4.0                                 |     | ns   |
| t <sub>SCLK</sub> System Clock Period                                      | Maximum of 7.5 or t <sub>CCLK</sub> |     | ns   |

**Table 13. Phase-Locked Loop Operating Conditions**

| Parameter  | Min | Max      | Unit |
|--|-----|----------|------|
| f <sub>VCO</sub> Voltage Controlled Oscillator (VCO) Frequency | 50  | Max CCLK | MHz  |

**Table 14. Maximum SCLK Conditions**

| Parameter         | Condition                   | V <sub>DDEXT</sub> = 3.3 V | V <sub>DDEXT</sub> = 2.5 V | Unit |
|-------------------|-----------------------------|----------------------------|----------------------------|------|
| MBGA              |                             |                            |                            |      |
| f <sub>SCLK</sub> | V <sub>DDINT</sub> ≥ 1.14 V | 133                        | 133                        | MHz  |
| f <sub>SCLK</sub> | V <sub>DDINT</sub> < 1.14 V | 100                        | 100                        | MHz  |
| LQFP              |                             |                            |                            |      |
| f <sub>SCLK</sub> | V <sub>DDINT</sub> ≥ 1.14 V | 133                        | 133 <sup>1</sup>           | MHz  |
| f <sub>SCLK</sub> | V <sub>DDINT</sub> < 1.14 V | 83                         | 83 <sup>1</sup>            | MHz  |

<sup>1</sup> Set Bit 7 (output delay) of PLL\_CTL register.

# ADSP-BF531/ADSP-BF532/ADSP-BF533

## Clock and Reset Timing

Table 15 and Figure 10 describe clock and reset operations. Per Absolute Maximum Ratings on Page 20, combinations of CLKIN and clock multipliers must not select core/peripheral clocks in excess of 600/133 MHz.

Table 15. Clock and Reset Timing

| Parameter   | Min           | Max   | Unit |
|---|---------------|-------|------|
| <i>Timing Requirements</i>  |               |       |      |
| $t_{CKIN}$ CLKIN Period   | 25.0          | 100.0 | ns   |
| $t_{CKINL}$ CLKIN Low Pulse <sup>1</sup>                            | 10.0          |       | ns   |
| $t_{CKINH}$ CLKIN High Pulse <sup>1</sup>                           | 10.0          |       | ns   |
| $t_{WRST}$ $\overline{RESET}$ Asserted Pulse Width Low <sup>2</sup> | $11 t_{CKIN}$ |       | ns   |

<sup>1</sup>Applies to bypass mode and non-bypass mode.

<sup>2</sup>Applies after power-up sequence is complete. At power-up, the processor's internal phase-locked loop requires no more than 2,000 CLKIN cycles, while  $\overline{RESET}$  is asserted, assuming stable power supplies and CLKIN (not including start-up time of external clock oscillator).

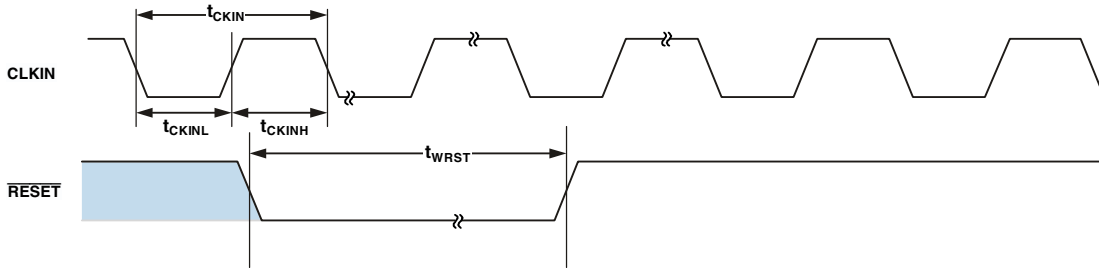


Figure 10. Clock and Reset Timing

## Asynchronous Memory Read Cycle Timing

**Table 16. Asynchronous Memory Read Cycle Timing**

| Parameter                        |  | Min | Max | Unit |
|----------------------------------|--|-----|-----|------|
| <i>Timing Requirements</i>       |  |     |     |      |
| $t_{SDAT}$                       | DATA15-0 Setup Before CLKOUT           | 2.1 |     | ns   |
| $t_{HDAT}$                       | DATA15-0 Hold After CLKOUT             | 0.8 |     | ns   |
| $t_{SARDY}$                      | ARDY Setup Before CLKOUT               | 4.0 |     | ns   |
| $t_{HARDY}$                      | ARDY Hold After CLKOUT                 | 0.0 |     | ns   |
| <i>Switching Characteristics</i> |  |     |     |      |
| $t_{DO}$                         | Output Delay After CLKOUT <sup>1</sup> |     | 6.0 | ns   |
| $t_{HO}$                         | Output Hold After CLKOUT <sup>1</sup>  | 0.8 |     | ns   |

<sup>1</sup> Output pins include  $\overline{AMS3-0}$ ,  $\overline{ABE1-0}$ , ADDR19-1,  $\overline{AOE}$ ,  $\overline{ARE}$ .

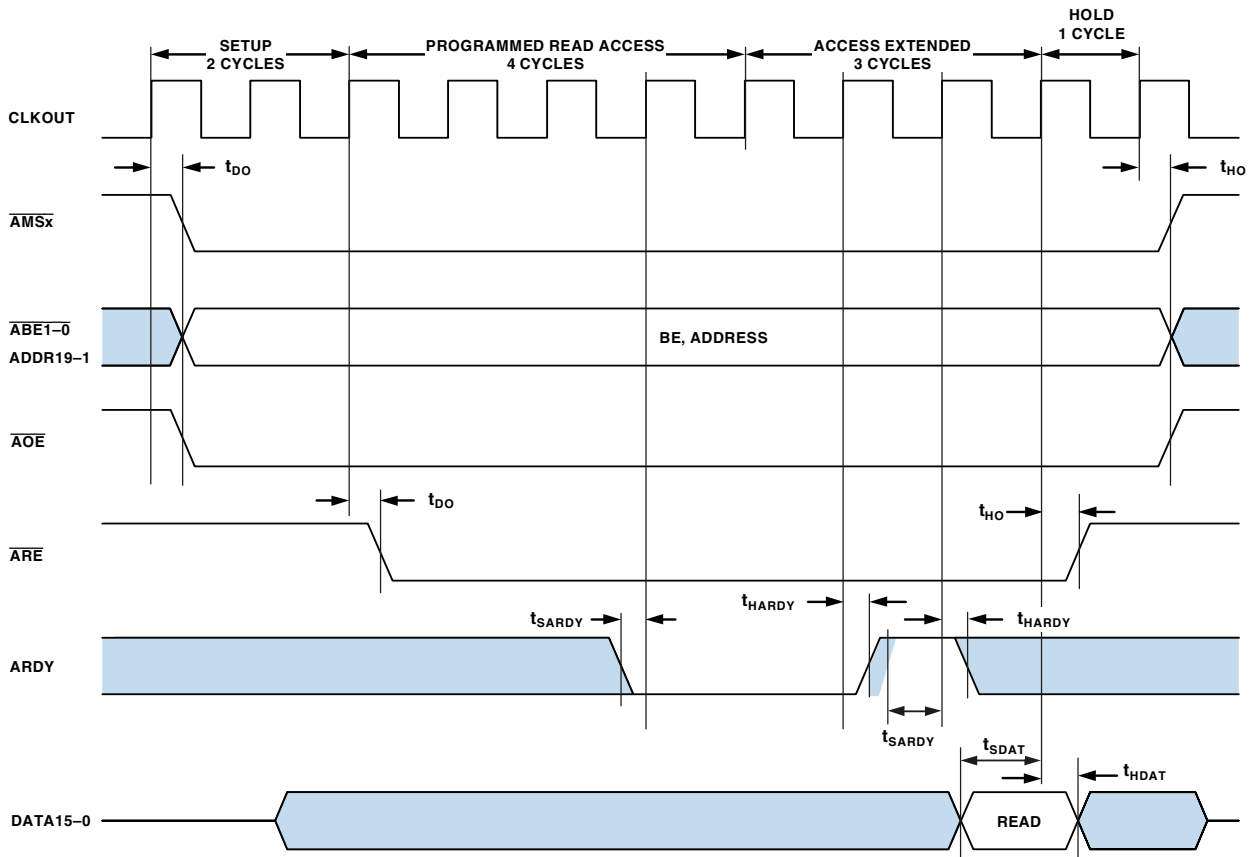


Figure 11. Asynchronous Memory Read Cycle Timing

# ADSP-BF531/ADSP-BF532/ADSP-BF533

## Asynchronous Memory Write Cycle Timing

Table 17. Asynchronous Memory Write Cycle Timing

| Parameter                        |  | Min | Max | Unit |
|----------------------------------|--|-----|-----|------|
| <i>Timing Requirements</i>       |  |     |     |      |
| $t_{SARDY}$                      | ARDY Setup Before CLKOUT               | 4.0 |     | ns   |
| $t_{HARDY}$                      | ARDY Hold After CLKOUT                 | 0.0 |     | ns   |
| <i>Switching Characteristics</i> |  |     |     |      |
| $t_{DDAT}$                       | DATA15-0 Disable After CLKOUT          |     | 6.0 | ns   |
| $t_{ENDAT}$                      | DATA15-0 Enable After CLKOUT           | 1.0 |     | ns   |
| $t_{DO}$                         | Output Delay After CLKOUT <sup>1</sup> |     | 6.0 | ns   |
| $t_{HO}$                         | Output Hold After CLKOUT <sup>1</sup>  | 0.8 |     | ns   |

<sup>1</sup>Output pins include  $\overline{AMS3-0}$ ,  $\overline{ABE1-0}$ , ADDR19-1, DATA15-0,  $\overline{AOE}$ ,  $\overline{AWE}$ .

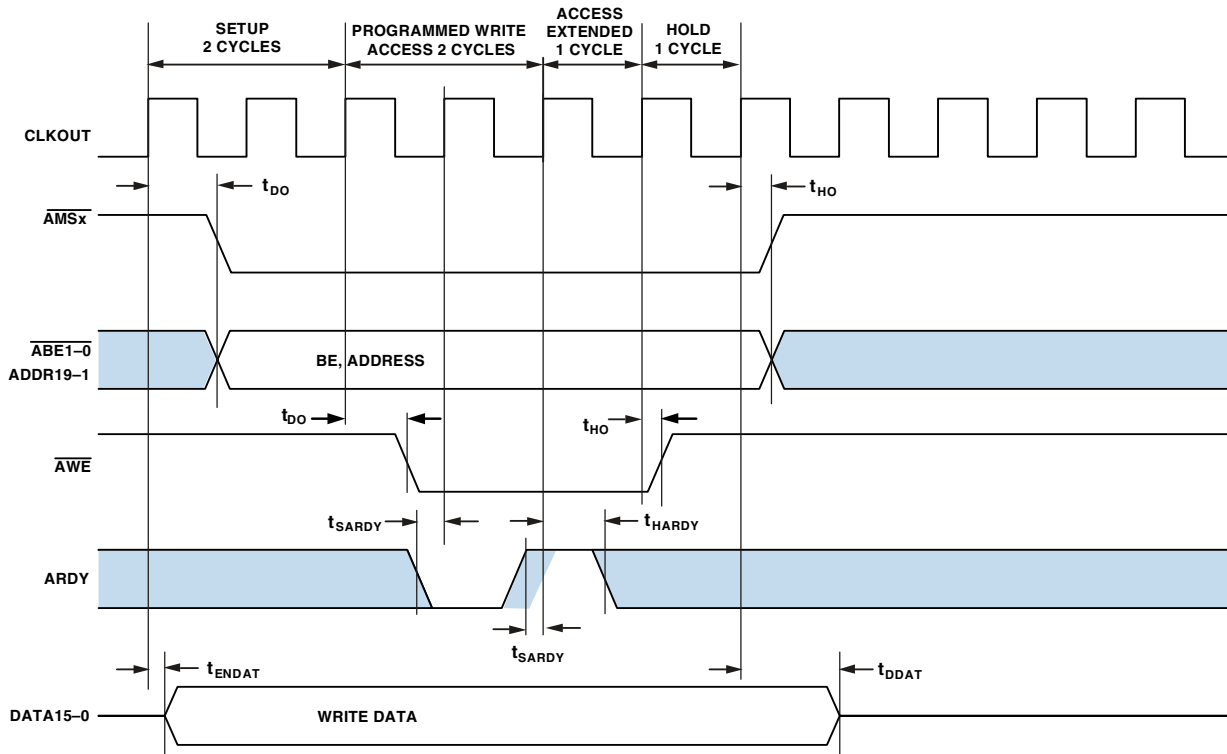


Figure 12. Asynchronous Memory Write Cycle Timing



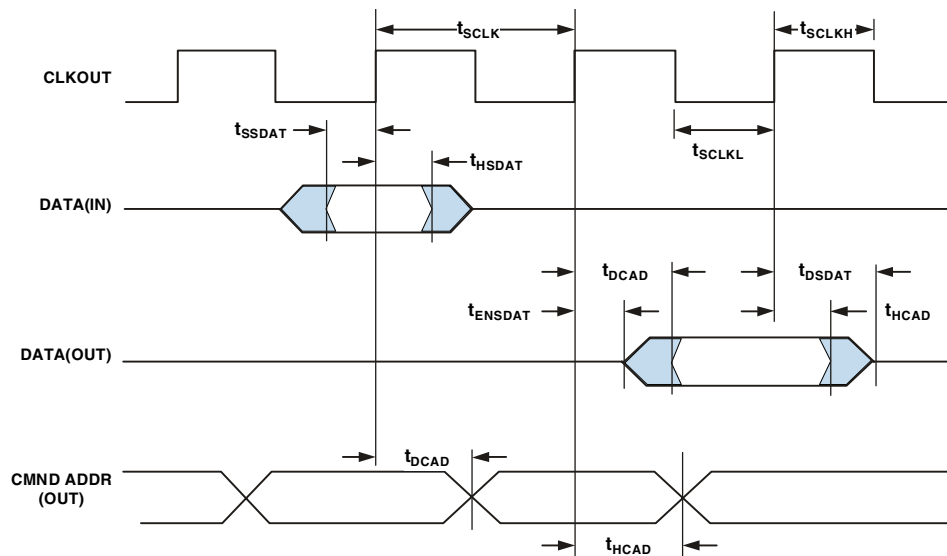
## SDRAM Interface Timing

Table 18. SDRAM Interface Timing<sup>1</sup>

| Parameter                        |   | Min | Max | Unit |
|----------------------------------|---|-----|-----|------|
| <i>Timing Requirements</i>       |   |     |     |      |
| $t_{SSDAT}$                      | DATA Setup Before CLKOUT                            | 2.1 |     | ns   |
| $t_{HSDAT}$                      | DATA Hold After CLKOUT                              | 0.8 |     | ns   |
| <i>Switching Characteristics</i> |   |     |     |      |
| $t_{SCLK}$                       | CLKOUT Period                                       | 7.5 |     | ns   |
| $t_{SCLKH}$                      | CLKOUT Width High                                   | 2.5 |     | ns   |
| $t_{SCLKL}$                      | CLKOUT Width Low                                    | 2.5 |     | ns   |
| $t_{DCAD}$                       | Command, ADDR, Data Delay After CLKOUT <sup>2</sup> |     | 6.0 | ns   |
| $t_{HCAD}$                       | Command, ADDR, Data Hold After CLKOUT <sup>1</sup>  | 0.8 |     | ns   |
| $t_{DSDAT}$                      | Data Disable After CLKOUT                           |     | 6.0 | ns   |
| $t_{ENSDAT}$                     | Data Enable After CLKOUT                            | 1.0 |     | ns   |

<sup>1</sup> For  $V_{DDINT} = 1.2$  V.

<sup>2</sup> Command pins include:  $\overline{SRAS}$ ,  $\overline{SCAS}$ ,  $\overline{SWE}$ ,  $\overline{SDQM}$ ,  $\overline{SMS}$ , SA10,  $\overline{SCKE}$ .



NOTE: COMMAND =  $\overline{SRAS}$ ,  $\overline{SCAS}$ ,  $\overline{SWE}$ ,  $\overline{SDQM}$ ,  $\overline{SMS}$ , SA10,  $\overline{SCKE}$ .

Figure 13. SDRAM Interface Timing

# ADSP-BF531/ADSP-BF532/ADSP-BF533

## External Port Bus Request and Grant Cycle Timing

Table 19 and Figure 14 describe external port bus request and bus grant operations.

Table 19. External Port Bus Request and Grant Cycle Timing

| Parameter <sup>1,2</sup>         |   | Min | Max | Unit |
|----------------------------------|---|-----|-----|------|
| <i>Timing Requirements</i>       |   |     |     |      |
| $t_{BS}$                         | $\overline{BR}$ Asserted to CLKOUT High Setup                                       | 4.6 |     | ns   |
| $t_{BH}$                         | CLKOUT High to $\overline{BR}$ Deasserted Hold Time                                 | 0.0 |     | ns   |
| <i>Switching Characteristics</i> |   |     |     |      |
| $t_{SD}$                         | CLKOUT Low to $\overline{xMS}$ , Address, and $\overline{RD}/\overline{WR}$ disable |     | 4.5 | ns   |
| $t_{SE}$                         | CLKOUT Low to $\overline{xMS}$ , Address, and $\overline{RD}/\overline{WR}$ enable  |     | 4.5 | ns   |
| $t_{DBG}$                        | CLKOUT High to $\overline{BG}$ High Setup   |     | 3.6 | ns   |
| $t_{EBG}$                        | CLKOUT High to $\overline{BG}$ Deasserted Hold Time                                 |     | 3.6 | ns   |
| $t_{DBH}$                        | CLKOUT High to $\overline{BGH}$ High Setup  |     | 3.6 | ns   |
| $t_{EBH}$                        | CLKOUT High to $\overline{BGH}$ Deasserted Hold Time                                |     | 3.6 | ns   |

<sup>1</sup>These are preliminary timing parameters that are based on worst-case operating conditions.

<sup>2</sup>The pad loads for these timing parameters are 20 pF.

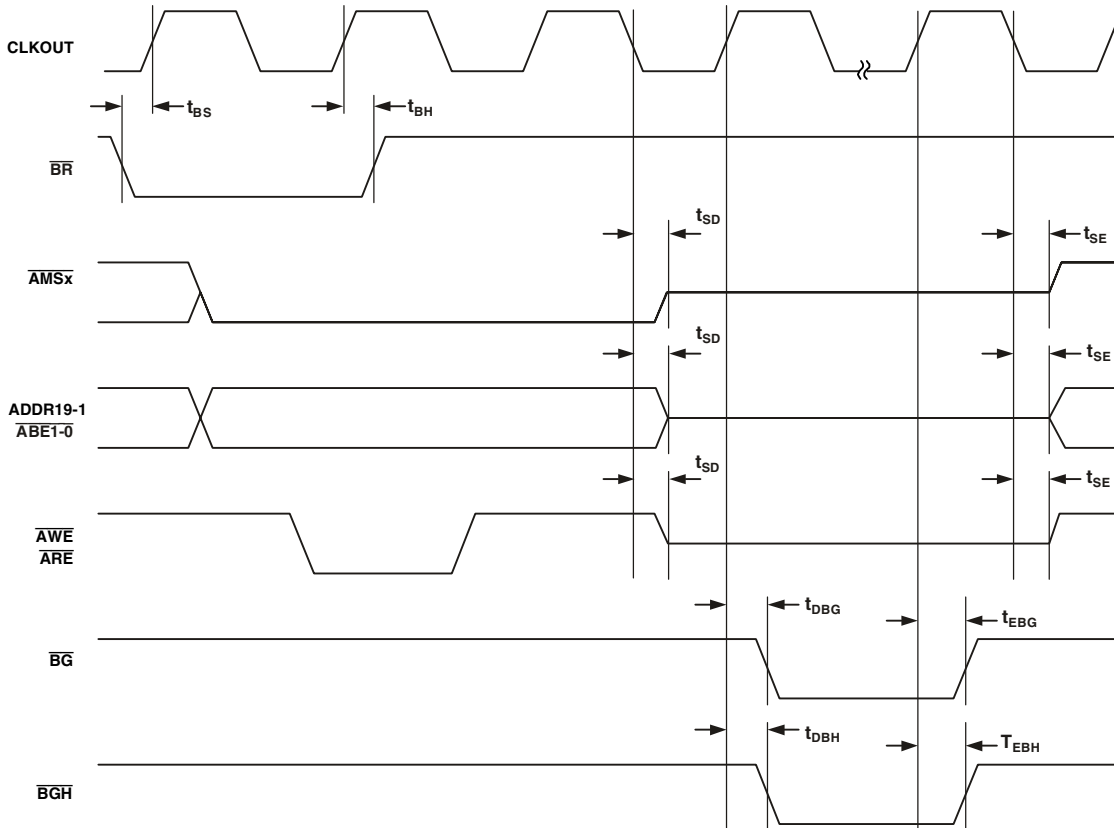


Figure 14. External Port Bus Request and Grant Cycle Timing

## Parallel Peripheral Interface Timing

Table 20 and Figure 15 on Page 27 describe parallel peripheral interface operations.

**Table 20. Parallel Peripheral Interface Timing**

| Parameter  | Min  | Max  | Unit |
|--|------|------|------|
| <i>Timing Requirements</i>   |      |      |      |
| $t_{PCLKW}$ PPI_CLK Width  | 6.0  |      | ns   |
| $t_{PCLK}$ PPI_CLK Period <sup>1</sup>                             | 15.0 |      | ns   |
| $t_{SFSPE}$ External Frame Sync Setup Before PPI_CLK               | 3.0  |      | ns   |
| $t_{HFSPE}$ External Frame Sync Hold After PPI_CLK                 | 3.0  |      | ns   |
| $t_{SDRPE}$ Receive Data Setup Before PPI_CLK                      | 2.0  |      | ns   |
| $t_{HDRPE}$ Receive Data Hold After PPI_CLK                        | 4.0  |      | ns   |
| <i>Switching Characteristics—GP Output and Frame Capture Modes</i> |      |      |      |
| $t_{DFSPE}$ Internal Frame Sync Delay After PPI_CLK                |      | 10.0 | ns   |
| $t_{HOFSPPE}$ Internal Frame Sync Hold After PPI_CLK               | 0.0  |      | ns   |
| $t_{DDTPE}$ Transmit Data Delay After PPI_CLK                      |      | 10.0 | ns   |
| $t_{HDTPE}$ Transmit Data Hold After PPI_CLK                       | 0.0  |      | ns   |

<sup>1</sup>PPI\_CLK frequency cannot exceed  $f_{SCLK}/2$

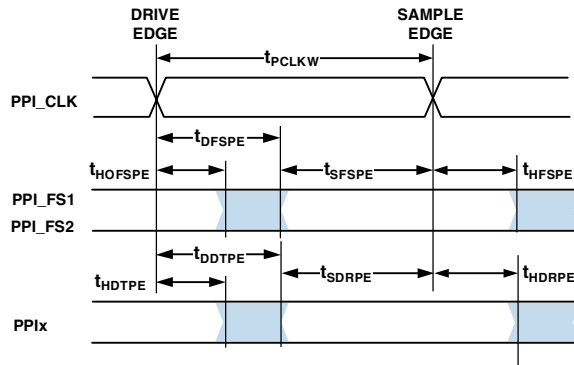


Figure 15. GP Output Mode and Frame Capture Timing

# ADSP-BF531/ADSP-BF532/ADSP-BF533

## Serial Ports

Table 21 on Page 28 through Table 24 on Page 29 and Figure 16 on Page 29 through Figure 18 on Page 31 describe Serial Port operations.

**Table 21. Serial Ports—External Clock**

| Parameter  | Min  | Max  | Unit |
|--|------|------|------|
| <i>Timing Requirements</i>   |      |      |      |
| $t_{SFSE}$ TFS/RFS Setup Before TSCLK/RSCLK <sup>1</sup>                               | 3.0  |      | ns   |
| $t_{HFSE}$ TFS/RFS Hold After TSCLK/RSCLK <sup>1</sup>                                 | 3.0  |      | ns   |
| $t_{SDRE}$ Receive Data Setup Before RSCLK <sup>1</sup>                                | 3.0  |      | ns   |
| $t_{HDRE}$ Receive Data Hold After RSCLK <sup>1</sup>                                  | 3.0  |      | ns   |
| $t_{SCLKEW}$ TSCLK/RSCLK Width   | 4.5  |      | ns   |
| $t_{SCLKE}$ TSCLK/RSCLK Period   | 15.0 |      | ns   |
| <i>Switching Characteristics</i>   |      |      |      |
| $t_{DFSE}$ TFS/RFS Delay After TSCLK/RSCLK (Internally Generated TFS/RFS) <sup>2</sup> |      | 10.0 | ns   |
| $t_{HOFSE}$ TFS/RFS Hold After TSCLK/RSCLK (Internally Generated TFS/RFS) <sup>1</sup> | 0.0  |      | ns   |
| $t_{DDTE}$ Transmit Data Delay After TSCLK <sup>1</sup>                                |      | 10.0 | ns   |
| $t_{HDTE}$ Transmit Data Hold After TSCLK <sup>1</sup>                                 | 0.0  |      | ns   |

<sup>1</sup>Referenced to sample edge.

<sup>2</sup>Referenced to drive edge.

**Table 22. Serial Ports—Internal Clock**

| Parameter  | Min  | Max | Unit |
|--|------|-----|------|
| <i>Timing Requirements</i>   |      |     |      |
| $t_{SFSI}$ TFS/RFS Setup Before TSCLK/RSCLK <sup>1</sup>                               | 8.0  |     | ns   |
| $t_{HFSI}$ TFS/RFS Hold After TSCLK/RSCLK <sup>1</sup>                                 | –2.0 |     | ns   |
| $t_{SDRI}$ Receive Data Setup Before RSCLK <sup>1</sup>                                | 6.0  |     | ns   |
| $t_{HDRI}$ Receive Data Hold After RSCLK <sup>1</sup>                                  | 0.0  |     | ns   |
| $t_{SCLKEW}$ TSCLK/RSCLK Width   | 4.5  |     | ns   |
| $t_{SCLKE}$ TSCLK/RSCLK Period   | 15.0 |     | ns   |
| <i>Switching Characteristics</i>   |      |     |      |
| $t_{DFSI}$ TFS/RFS Delay After TSCLK/RSCLK (Internally Generated TFS/RFS) <sup>2</sup> |      | 3.0 | ns   |
| $t_{HOFSI}$ TFS/RFS Hold After TSCLK/RSCLK (Internally Generated TFS/RFS) <sup>1</sup> | –1.0 |     | ns   |
| $t_{DDTI}$ Transmit Data Delay After TSCLK <sup>1</sup>                                |      | 3.0 | ns   |
| $t_{HDTI}$ Transmit Data Hold After TSCLK <sup>1</sup>                                 | –2.0 |     | ns   |
| $t_{SCLKIW}$ TSCLK/RSCLK Width   | 4.5  |     | ns   |

<sup>1</sup>Referenced to sample edge.

<sup>2</sup>Referenced to drive edge.

**Table 23. Serial Ports—Enable and Three-State**

| Parameter   | Min  | Max  | Unit |
|---|------|------|------|
| <i>Switching Characteristics</i>                                |      |      |      |
| $t_{DTENE}$ Data Enable Delay from External TSCLK <sup>1</sup>  | 0    |      | ns   |
| $t_{DDTTE}$ Data Disable Delay from External TSCLK <sup>1</sup> |      | 10.0 | ns   |
| $t_{DTENI}$ Data Enable Delay from Internal TSCLK <sup>1</sup>  | –2.0 |      | ns   |
| $t_{DDTTI}$ Data Disable Delay from Internal TSCLK <sup>1</sup> |      | 3.0  | ns   |

<sup>1</sup>Referenced to drive edge.

**Table 24. External Late Frame Sync**

| Parameter  | Min | Max  | Unit |
|--|-----|------|------|
| <i>Switching Characteristics</i>   |     |      |      |
| $t_{DDTLFSE}$ Data Delay from Late External TFS or External RFS with MCE = 1, MFD = 0 <sup>1,2</sup> | 0   | 10.0 | ns   |
| $t_{DTENLFS}$ Data Enable from Late FS or MCE = 1, MFD = 0 <sup>1,2</sup>                            | 0   | 10.0 | ns   |

<sup>1</sup>MCE = 1, TFS enable and TFS valid follow  $t_{DTENLFS}$  and  $t_{DDTLFSE}$ .

<sup>2</sup>If external RFS/TFS setup to RSCLK/TSCLK >  $t_{SCLKE}/2$ , then  $t_{DDTE/I}$  and  $t_{DTENE/I}$  apply; otherwise  $t_{DDTLFSE}$  and  $t_{DTENLFS}$  apply.

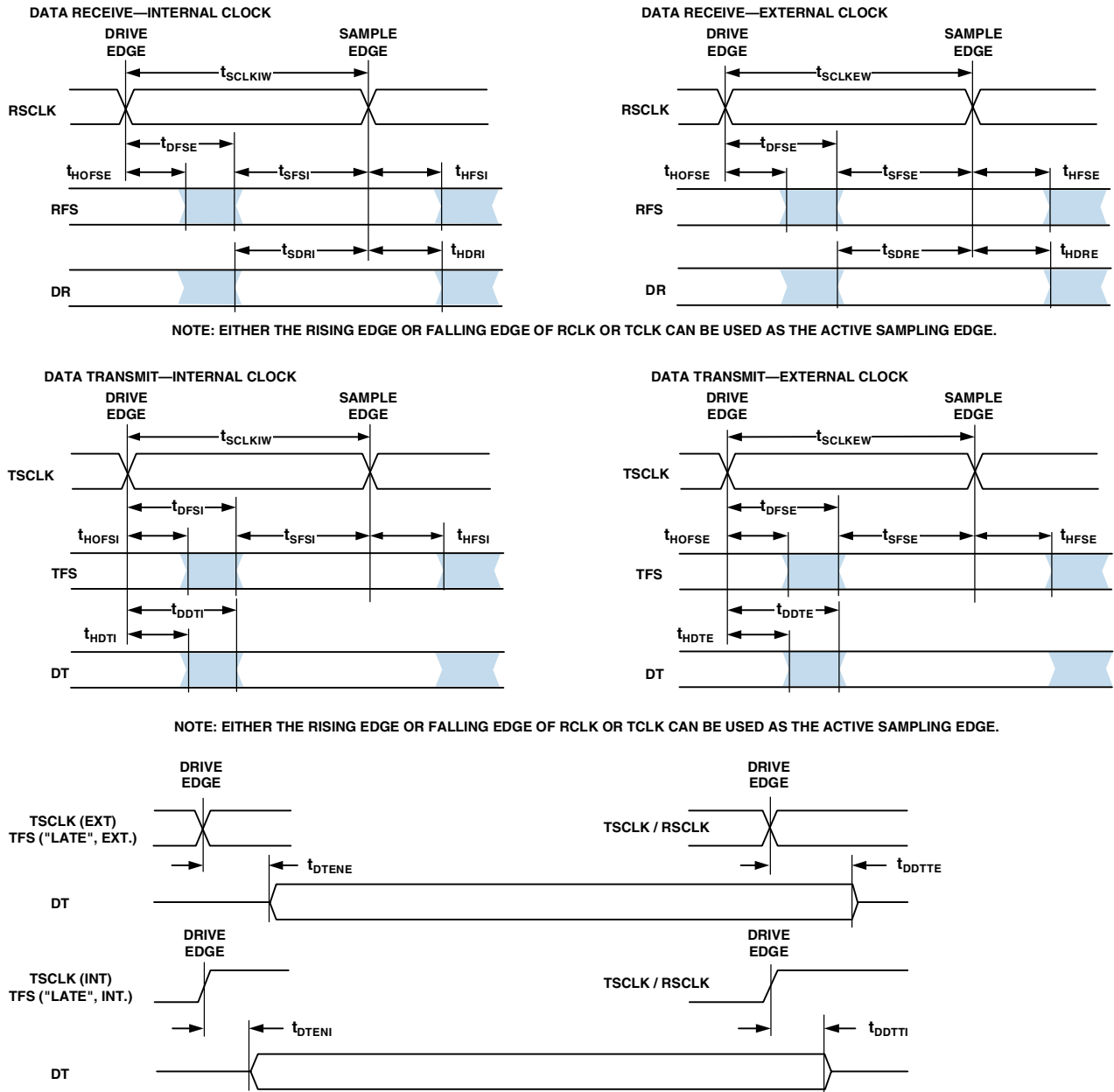
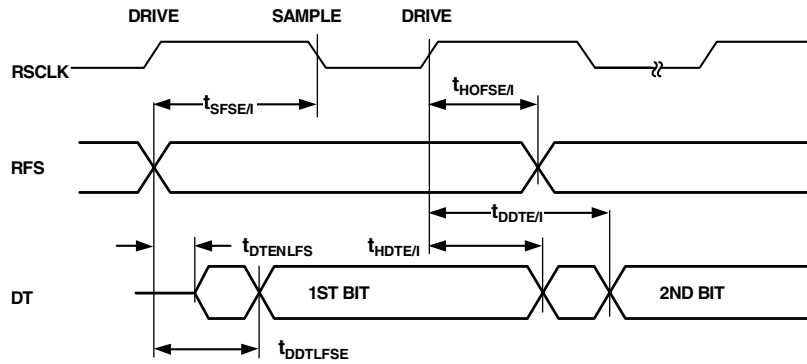


Figure 16. Serial Ports

# ADSP-BF531/ADSP-BF532/ADSP-BF533

EXTERNAL RFS WITH MCE = 1, MFD = 0



LATE EXTERNAL TFS

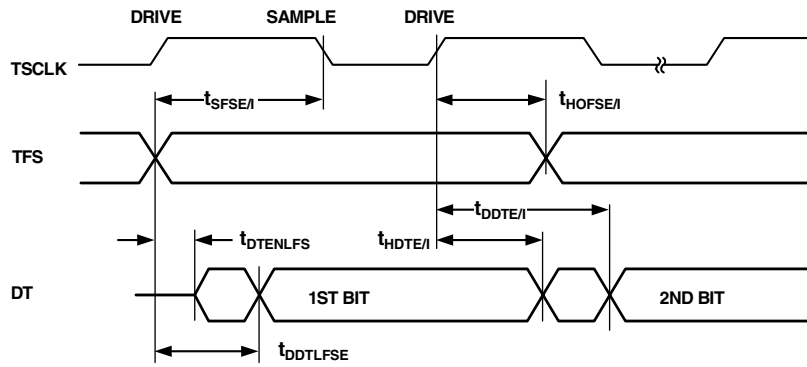
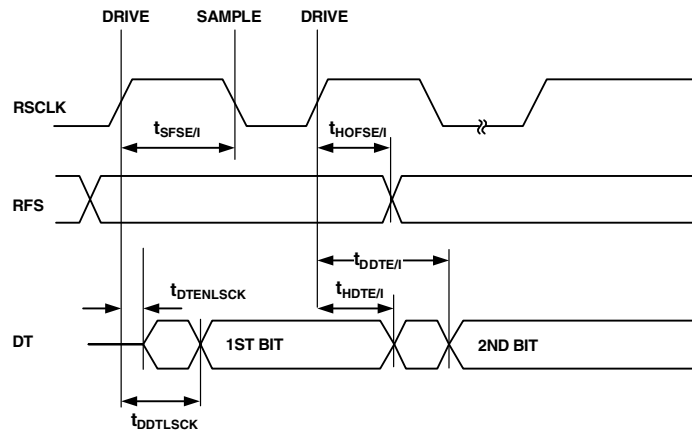


Figure 17. External Late Frame Sync (Frame Sync Setup <  $t_{SCLK}/2$ )

EXTERNAL RFS WITH MCE = 1, MFD = 0



LATE EXTERNAL TFS

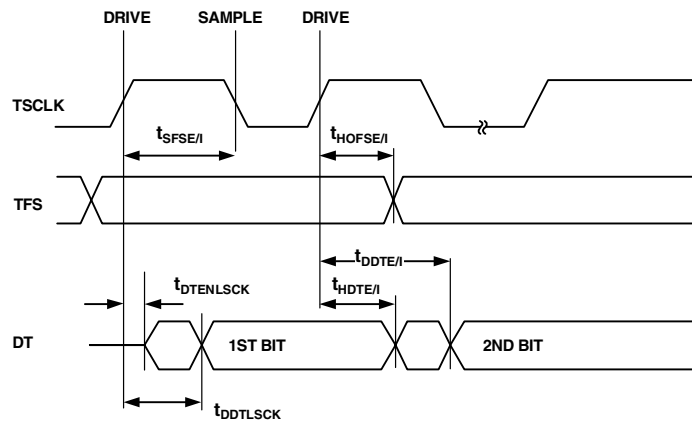


Figure 18. External Late Frame Sync (Frame Sync Setup >  $t_{SCLKE}/2$ )

# ADSP-BF531/ADSP-BF532/ADSP-BF533

## Serial Peripheral Interface (SPI) Port —Master Timing

Table 25 and Figure 19 describe SPI port master operations.

Table 25. Serial Peripheral Interface (SPI) Port—Master Timing

| Parameter                        |   | Min               | Max | Unit |
|----------------------------------|---|-------------------|-----|------|
| <i>Timing Requirements</i>       |   |                   |     |      |
| $t_{SSPIDM}$                     | Data Input Valid to SCK Edge (Data Input Setup)       | 7.5               |     | ns   |
| $t_{HSPIDM}$                     | SCK Sampling Edge to Data Input Invalid               | -1.5              |     | ns   |
| <i>Switching Characteristics</i> |   |                   |     |      |
| $t_{SDSCIM}$                     | $\overline{SPISELx}$ Low to First SCK edge (x=0 or 1) | $2t_{SCLK} - 1.5$ |     | ns   |
| $t_{SPICHM}$                     | Serial Clock High period                              | $2t_{SCLK} - 1.5$ |     | ns   |
| $t_{SPICLM}$                     | Serial Clock Low period                               | $2t_{SCLK} - 1.5$ |     | ns   |
| $t_{SPICLK}$                     | Serial Clock Period                                   | $4t_{SCLK} - 1.5$ |     | ns   |
| $t_{HDSM}$                       | Last SCK Edge to $\overline{SPISELx}$ High (x=0 or 1) | $2t_{SCLK} - 1.5$ |     | ns   |
| $t_{SPITDM}$                     | Sequential Transfer Delay                             | $2t_{SCLK} - 1.5$ |     | ns   |
| $t_{DDSPIDM}$                    | SCK Edge to Data Out Valid (Data Out Delay)           | 0                 | 6   | ns   |
| $t_{HDSPIDM}$                    | SCK Edge to Data Out Invalid (Data Out Hold)          | -1.0              | 4.0 | ns   |

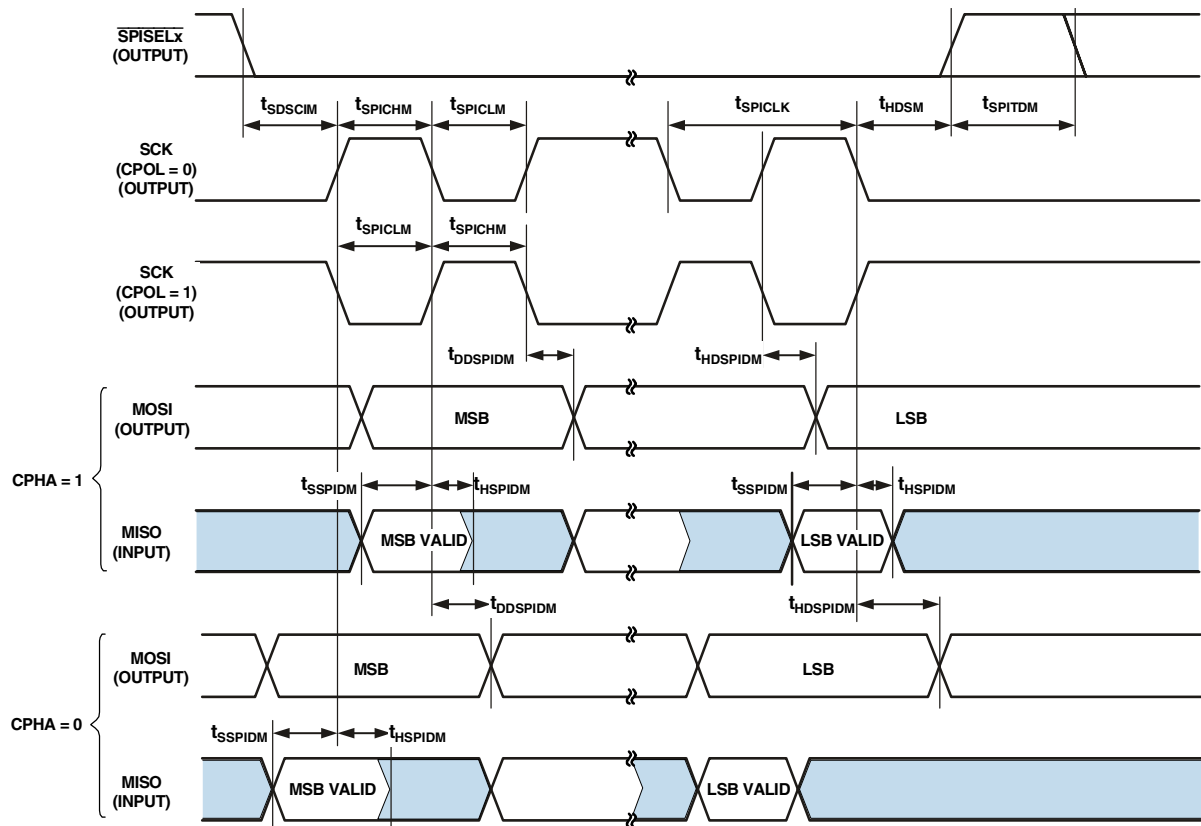


Figure 19. Serial Peripheral Interface (SPI) Port—Master Timing



## Serial Peripheral Interface (SPI) Port —Slave Timing

Table 26 and Figure 20 describe SPI port slave operations.

**Table 26. Serial Peripheral Interface (SPI) Port—Slave Timing**

| Parameter                        |   | Min               | Max | Unit |
|----------------------------------|---|-------------------|-----|------|
| <i>Timing Requirements</i>       |   |                   |     |      |
| $t_{SPICHS}$                     | Serial Clock High Period                              | $2t_{SCLK} - 1.5$ |     | ns   |
| $t_{SPICLS}$                     | Serial Clock Low Period                               | $2t_{SCLK} - 1.5$ |     | ns   |
| $t_{SPICLK}$                     | Serial Clock Period                                   | $4t_{SCLK} - 1.5$ |     | ns   |
| $t_{HDS}$                        | Last SCK Edge to $\overline{SPISS}$ Not Asserted      | $2t_{SCLK} - 1.5$ |     | ns   |
| $t_{SPITDS}$                     | Sequential Transfer Delay                             | $2t_{SCLK} - 1.5$ |     | ns   |
| $t_{SDSCI}$                      | $\overline{SPISS}$ Assertion to First SCK Edge        | $2t_{SCLK} - 1.5$ |     | ns   |
| $t_{SSPID}$                      | Data Input Valid to SCK Edge (Data Input Setup)       | 1.6               |     | ns   |
| $t_{HSPID}$                      | SCK Sampling Edge to Data Input Invalid               | 1.6               |     | ns   |
| <i>Switching Characteristics</i> |   |                   |     |      |
| $t_{DSOE}$                       | $\overline{SPISS}$ Assertion to Data Out Active       | 0                 | 8   | ns   |
| $t_{DSDHI}$                      | $\overline{SPISS}$ Deassertion to Data High Impedance | 0                 | 8   | ns   |
| $t_{DDSPID}$                     | SCK Edge to Data Out Valid (Data Out Delay)           | 0                 | 10  | ns   |
| $t_{HDSPID}$                     | SCK Edge to Data Out Invalid (Data Out Hold)          | 0                 | 10  | ns   |

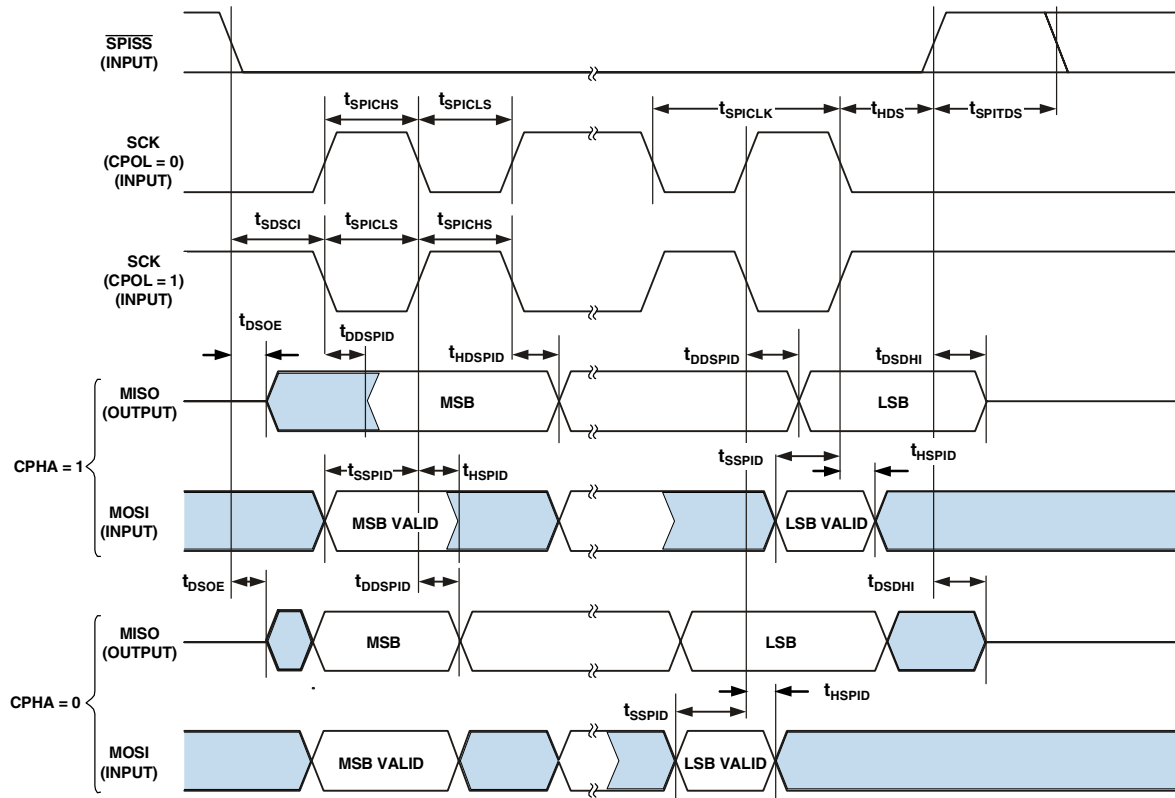


Figure 20. Serial Peripheral Interface (SPI) Port—Slave Timing

# ADSP-BF531/ADSP-BF532/ADSP-BF533

## Universal Asynchronous Receiver-Transmitter (UART) Port—Receive and Transmit Timing

Figure 21 describes UART port receive and transmit operations. The maximum baud rate is  $SCLK/16$ . As shown in Figure 21 there is some latency between the generation internal UART interrupts and the external data operations. These latencies are negligible at the data transmission rates for the UART.

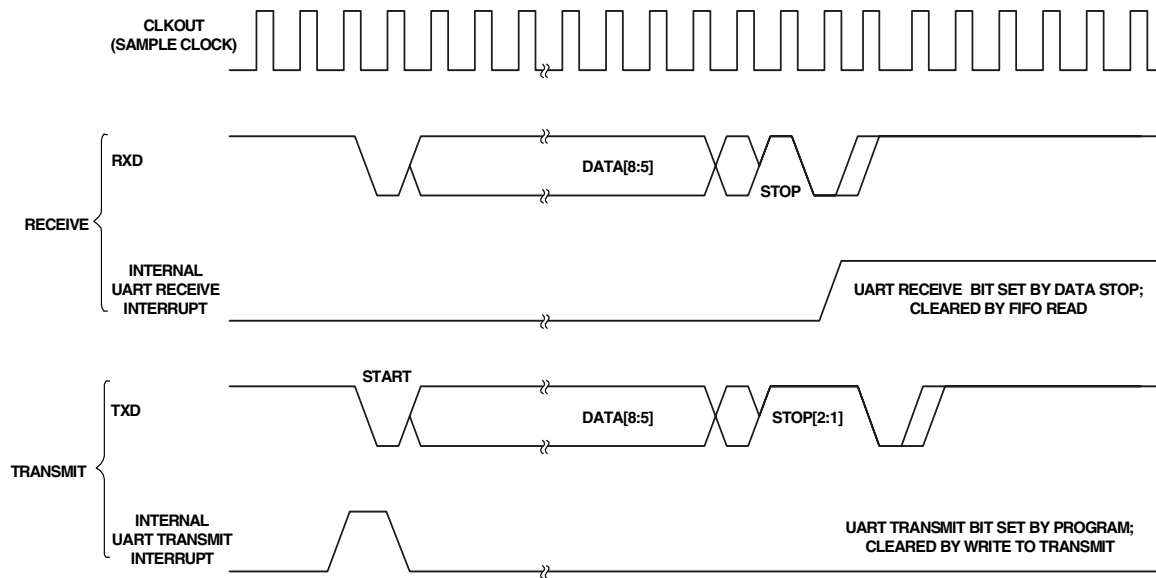


Figure 21. UART Port—Receive and Transmit Timing

## Programmable Flags Cycle Timing

Table 27 and Figure 22 describe programmable flag operations.

**Table 27. Programmable Flags Cycle Timing**

| Parameter                                   | Min            | Max | Unit |
|---|----------------|-----|------|
| <i>Timing Requirements</i>                  |                |     |      |
| $t_{WFI}$ Flag Input Pulse Width            | $t_{SCLK} + 1$ |     | ns   |
| <i>Switching Characteristics</i>            |                |     |      |
| $t_{DFO}$ Flag Output Delay from CLKOUT Low |                | 6   | ns   |

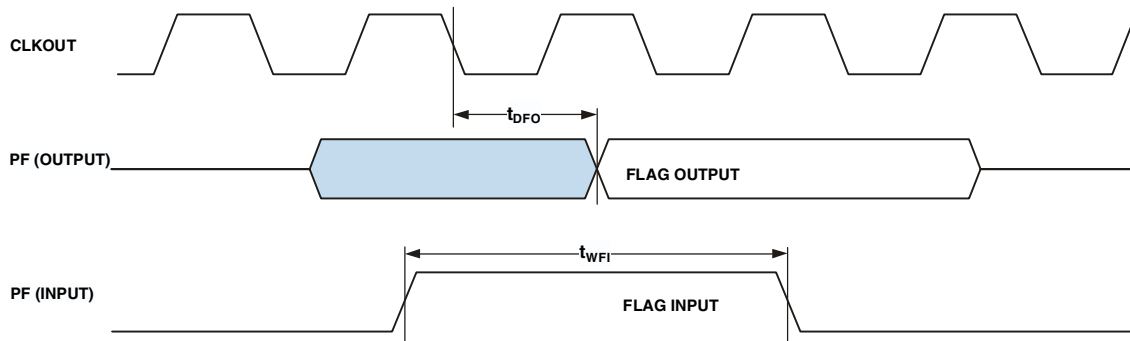


Figure 22. Programmable Flags Cycle Timing

# ADSP-BF531/ADSP-BF532/ADSP-BF533

## Timer Cycle Timing

Table 28 and Figure 23 describe timer expired operations. The input signal is asynchronous in width capture mode and external clock mode and has an absolute maximum input frequency of  $f_{SCLK}/2$  MHz.

Table 28. Timer Cycle Timing

| Parameter  | Min | Max          | Unit |
|--|-----|--------------|------|
| <i>Timing Characteristics</i>  |     |              |      |
| $t_{WL}$ Timer Pulse Width Input Low <sup>1</sup> (Measured in SCLK Cycles)  | 1   |              | SCLK |
| $t_{WH}$ Timer Pulse Width Input High <sup>1</sup> (Measured in SCLK Cycles) | 1   |              | SCLK |
| <i>Switching Characteristics</i>   |     |              |      |
| $t_{HTO}$ Timer Pulse Width Output <sup>2</sup> (Measured in SCLK Cycles)    | 1   | $(2^{32}-1)$ | SCLK |

<sup>1</sup>The minimum pulse widths apply for TMRx input pins in width capture and external clock modes. They also apply to the PF1 or PPI\_CLK input pins in PWM output mode.

<sup>2</sup>The minimum time for  $t_{HTO}$  is one cycle, and the maximum time for  $t_{HTO}$  equals  $(2^{32}-1)$  cycles.

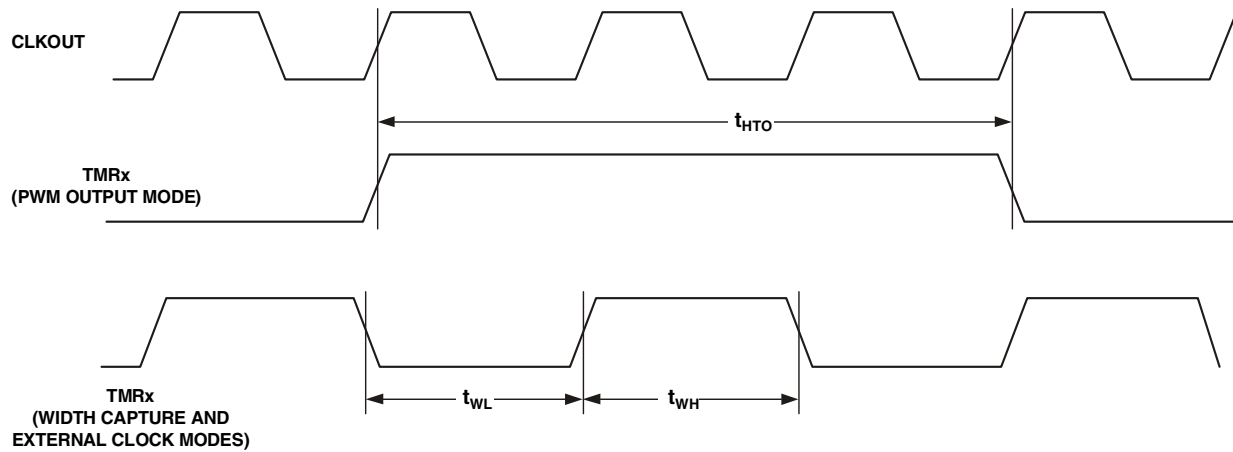


Figure 23. Timer PWM\_OUT Cycle Timing

## JTAG Test and Emulation Port Timing

Table 29 and Figure 24 describe JTAG port operations.

**Table 29. JTAG Port Timing**

| Parameter                        |   | Min | Max | Unit |
|----------------------------------|---|-----|-----|------|
| <i>Timing Requirements</i>       |   |     |     |      |
| $t_{TCK}$                        | TCK Period  | 20  |     | ns   |
| $t_{STAP}$                       | TDI, TMS Setup Before TCK High                                      | 4   |     | ns   |
| $t_{HTAP}$                       | TDI, TMS Hold After TCK High  | 4   |     | ns   |
| $t_{SSYS}$                       | System Inputs Setup Before TCK High <sup>1</sup>                    | 4   |     | ns   |
| $t_{HSYS}$                       | System Inputs Hold After TCK High <sup>1</sup>                      | 5   |     | ns   |
| $t_{TRSTW}$                      | $\overline{TRST}$ Pulse Width <sup>2</sup> (Measured in TCK cycles) | 4   |     | TCK  |
| <i>Switching Characteristics</i> |   |     |     |      |
| $t_{DTDO}$                       | TDO Delay from TCK Low  |     | 10  | ns   |
| $t_{DSYS}$                       | System Outputs Delay After TCK Low <sup>3</sup>                     | 0   | 12  | ns   |

<sup>1</sup> System Inputs = DATA15-0, ARDY, TMR2-0, PF15-0, PPI\_CLK, RSCLK0-1, RFS0-1, DR0PRI, DR0SEC, TSCLK0-1, TFS0-1, DR1PRI, DR1SEC, MOSI, MISO, SCK, RX, RESET, NMI, BMODE1-0, BR, PP3-0.

<sup>2</sup> 50 MHz maximum

<sup>3</sup> System Outputs = DATA15-0, ADDR19-1, ABE1-0, AOE, ARE, AWE, AMS3-0, SRAS, SCAS, SWE, SCKE, CLKOUT, SA10, SMS, TMR2-0, PF15-0, RSCLK0-1, RFS0-1, TSCLK0-1, TFS0-1, DT0PRI, DT0SEC, DT1PRI, DT1SEC, MOSI, MISO, SCK, TX,  $\overline{BG}$ ,  $\overline{BGH}$ , PPI3-0.

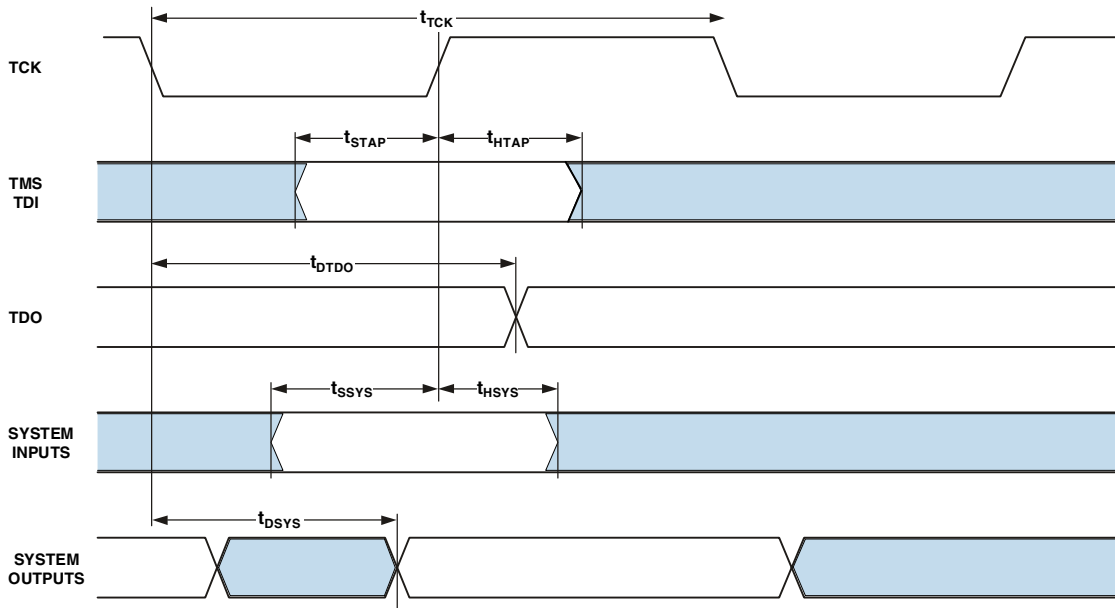


Figure 24. JTAG Port Timing

# ADSP-BF531/ADSP-BF532/ADSP-BF533

## OUTPUT DRIVE CURRENTS

Figure 25 through Figure 32 show typical current-voltage characteristics for the output drivers of the ADSP-BF531/ADSP-BF532/ADSP-BF533 processor. The curves represent the current drive capability of the output drivers as a function of output voltage.

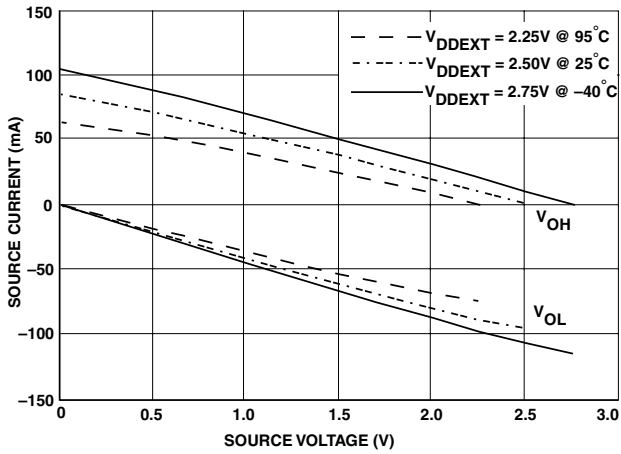


Figure 25. Drive Current A (Low  $V_{DDEXT}$ )

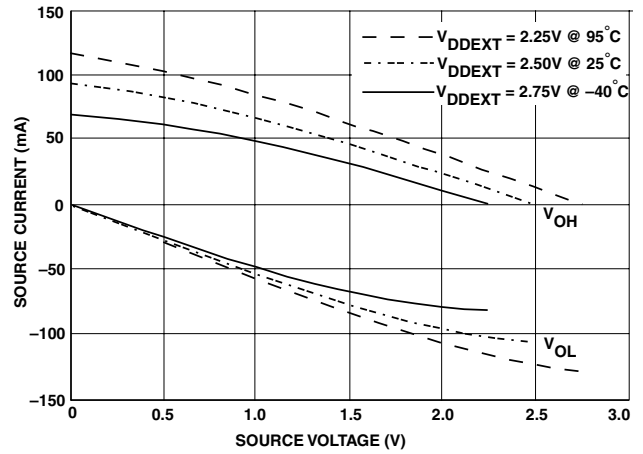


Figure 27. Drive Current B (Low  $V_{DDEXT}$ )

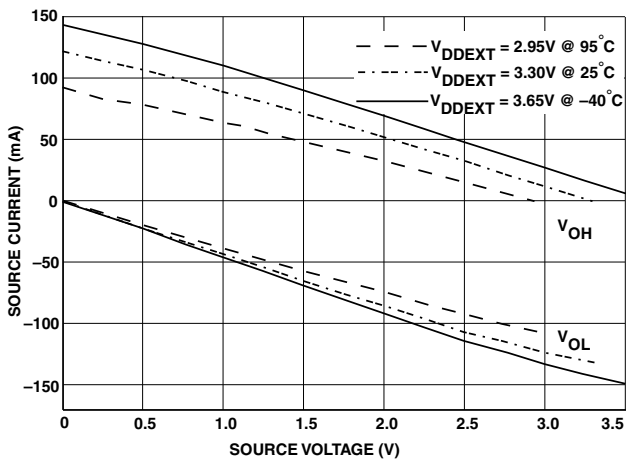


Figure 26. Drive Current A (High  $V_{DDEXT}$ )

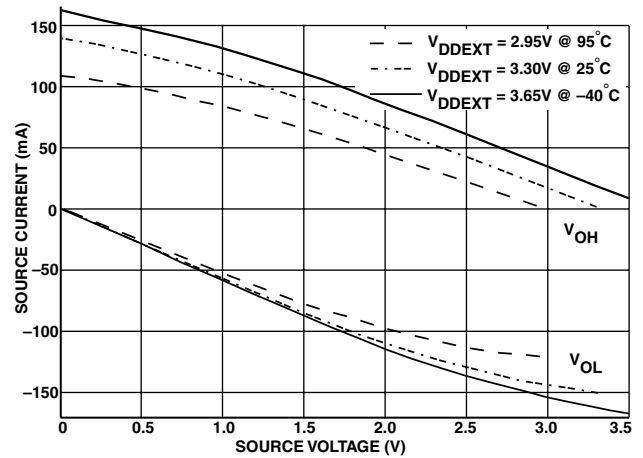


Figure 28. Drive Current B (High  $V_{DDEXT}$ )

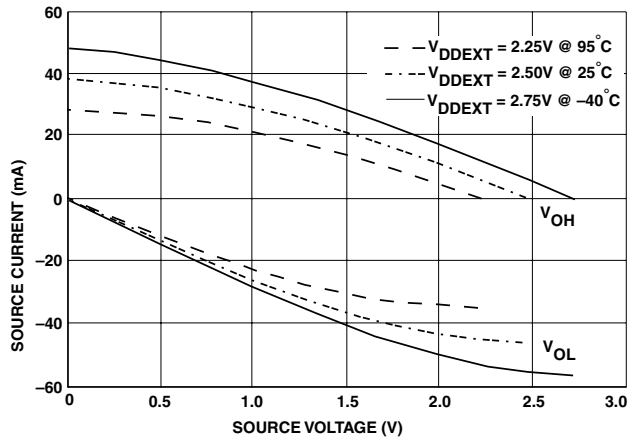


Figure 29. Drive Current C (Low  $V_{DDEXT}$ )

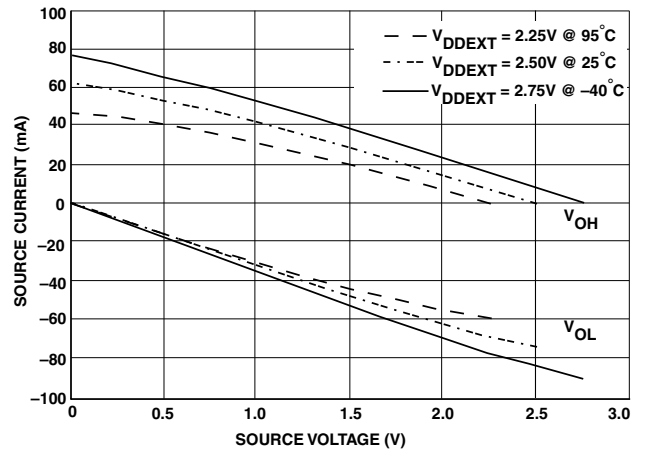


Figure 31. Drive Current D (Low  $V_{DDEXT}$ )

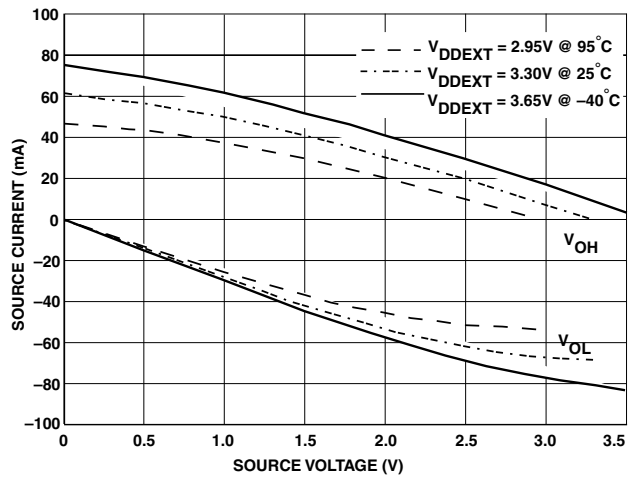


Figure 30. Drive Current C (High  $V_{DDEXT}$ )

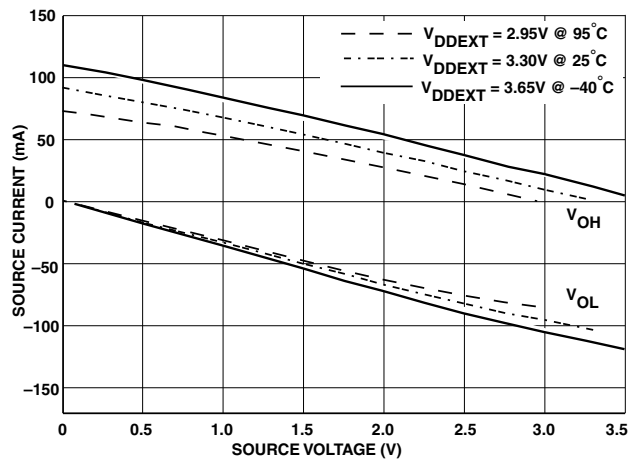


Figure 32. Drive Current D (High  $V_{DDEXT}$ )

# ADSP-BF531/ADSP-BF532/ADSP-BF533

## POWER DISSIPATION

Total power dissipation has two components: one due to internal circuitry ( $P_{INT}$ ) and one due to the switching of external output drivers ( $P_{EXT}$ ). Table 30 shows the power dissipation for internal circuitry ( $V_{DDINT}$ ). Internal power dissipation is dependent on the instruction execution sequence and the data operands involved.

**Table 30. Internal Power Dissipation<sup>1</sup>**

| Parameter                      | Test Conditions <sup>2</sup> |                         |                        |                        | Unit    |
|--------------------------------|------------------------------|-------------------------|------------------------|------------------------|---------|
|                                | $f_{CLK} =$<br>50 MHz        | $f_{CLK} =$<br>400 MHz  | $f_{CLK} =$<br>500 MHz | $f_{CLK} =$<br>600 MHz |         |
|                                | $V_{DDINT} =$<br>0.8 V       | $V_{DDINT} =$<br>1.14 V | $V_{DDINT} =$<br>1.2 V | $V_{DDINT} =$<br>1.2 V |         |
| $I_{DDTYP}$ <sup>3</sup>       | 26                           | 150                     | 190                    | 220                    | mA      |
| $I_{DSSLEEP}$ <sup>4</sup>     | 16                           | 35                      | 37                     | 37                     | mA      |
| $I_{DDDEEPSLEEP}$ <sup>4</sup> | 14                           | 29                      | 31                     | 31                     | mA      |
| $I_{DDHIBERNATE}$ <sup>5</sup> | 50                           |                         |                        |                        | $\mu$ A |
| $I_{DDRTC}$ <sup>6</sup>       | 30                           |                         |                        |                        | $\mu$ A |

<sup>1</sup> See EE-229: Estimating Power for ADSP-BF533 Blackfin Processors.

<sup>2</sup>  $I_{DD}$  data is specified for typical process parameters at minimum voltage. All data at 25°C.

<sup>3</sup> Processor executing 75% dual Mac, 25% ADD with moderate data bus activity.

<sup>4</sup> See the *ADSP-BF53x Blackfin Processor Hardware Reference Manual* for definitions of sleep and deep sleep operating modes.

<sup>5</sup> Measured at  $V_{DDEXT} = 3.65V$  with voltage regulator off ( $V_{DDINT} = 0V$ ).

<sup>6</sup> Measured at  $V_{DDRTC} = 3.3V$  at 25°C.

The external component of total power dissipation is caused by the switching of output pins. Its magnitude depends on:

- Number of output pins (O) that switch during each cycle
- Maximum frequency (f) at which they can switch
- Their load capacitance (C)
- Their voltage swing ( $V_{DDEXT}$ )

The external component is calculated using:

$$P_{EXT} = O \times C \times V_{DD}^2 \times f$$

The frequency f includes driving the load high and then back low. For example: DATA15–0 pins can drive high and low at a maximum rate of  $1/(2 \times t_{CLK})$  while in SDRAM burst mode.

A typical power consumption can now be calculated for these conditions by adding a typical internal power dissipation:

$$P_{TOTAL} = P_{EXT} + (I_{DD} \times V_{DDINT})$$

Note that the conditions causing a worst-case  $P_{EXT}$  differ from those causing a worst-case  $P_{INT}$ . Maximum  $P_{INT}$  cannot occur while 100% of the output pins are switching from all ones (1s) to all zeros (0s). Note, as well, that it is not common for an application to have 100% or even 50% of the outputs switching simultaneously.



## TEST CONDITIONS

All timing parameters appearing in this data sheet were measured under the conditions described in this section.

### Output Enable Time

Output pins are considered to be enabled when they have made a transition from a high impedance state to the point when they start driving. The output enable time  $t_{ENA}$  is the interval from the point when a reference signal reaches a high or low voltage level to the point when the output starts driving as shown in the Output Enable/Disable diagram (Figure 33). The time  $t_{ENA\_MEASURED}$  is the interval from when the reference signal switches to when the output voltage reaches 2.0 V (output high) or 1.0 V (output low). Time  $t_{TRIP}$  is the interval from when the output starts driving to when the output reaches the 1.0 V or 2.0 V trip voltage. Time  $t_{ENA}$  is calculated as shown in the equation:

$$t_{ENA} = t_{ENA\_MEASURED} - t_{TRIP}$$

If multiple pins (such as the data bus) are enabled, the measurement value is that of the first pin to start driving.

### Output Disable Time

Output pins are considered to be disabled when they stop driving, go into a high impedance state, and start to decay from their output high or low voltage. The time for the voltage on the bus to decay by  $\Delta V$  is dependent on the capacitive load,  $C_L$  and the load current,  $I_L$ . This decay time can be approximated by the equation:

$$t_{DECAY} = (C_L \Delta V) / I_L$$

The output disable time  $t_{DIS}$  is the difference between  $t_{DIS\_MEASURED}$  and  $t_{DECAY}$  as shown in Figure 33. The time  $t_{DIS\_MEASURED}$  is the interval from when the reference signal switches to when the output voltage decays  $\Delta V$  from the measured output high or output low voltage. The time  $t_{DECAY}$  is calculated with test loads  $C_L$  and  $I_L$ , and with  $\Delta V$  equal to 0.5 V.

### Example System Hold Time Calculation

To determine the data output hold time in a particular system, first calculate  $t_{DECAY}$  using the equation given above. Choose  $\Delta V$  to be the difference between the ADSP-BF531/ADSP-BF532/ADSP-BF533 processor's output voltage and the input threshold for the device requiring the hold time. A typical  $\Delta V$  will be 0.4 V.  $C_L$  is the total bus capacitance (per data line), and  $I_L$  is the total leakage or three-state current (per data line). The hold time will be  $t_{DECAY}$  plus the minimum disable time (for example,  $t_{DSDAT}$  for an SDRAM write cycle).

### Capacitive Loading

Output delays and holds are based on standard capacitive loads: 30 pF on all pins (see Figure 34). Figure 36 on Page 42 through Figure 43 on Page 43 show how output rise time varies with

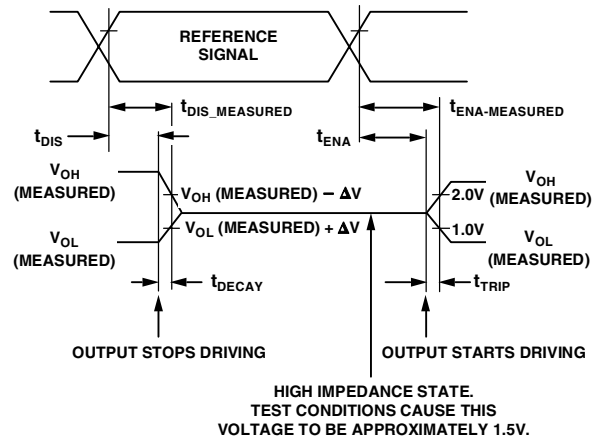


Figure 33. Output Enable/Disable

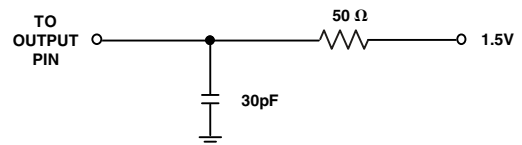


Figure 34. Equivalent Device Loading for AC Measurements (Includes All Fixtures)



Figure 35. Voltage Reference Levels for AC Measurements (Except Output Enable/Disable)

capacitance. The delay and hold specifications given should be derated by a factor derived from these figures. The graphs in these figures may not be linear outside the ranges shown.

# ADSP-BF531/ADSP-BF532/ADSP-BF533

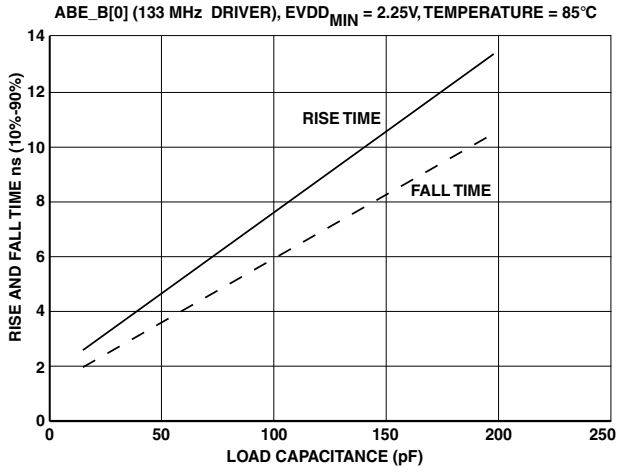


Figure 36. Typical Output Delay or Hold for Driver A at EVDD<sub>MIN</sub>

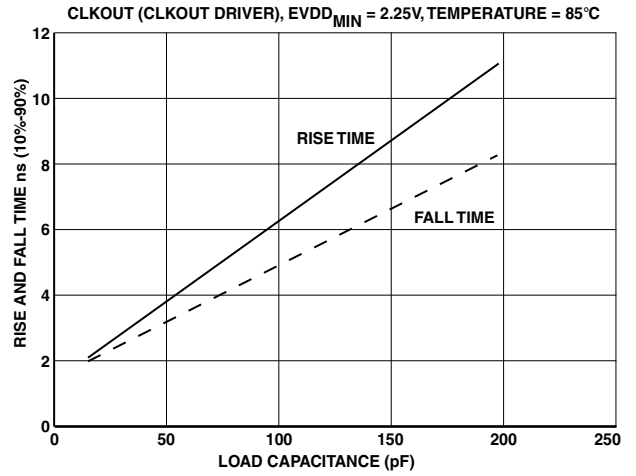


Figure 38. Typical Output Delay or Hold for Driver B at EVDD<sub>MIN</sub>

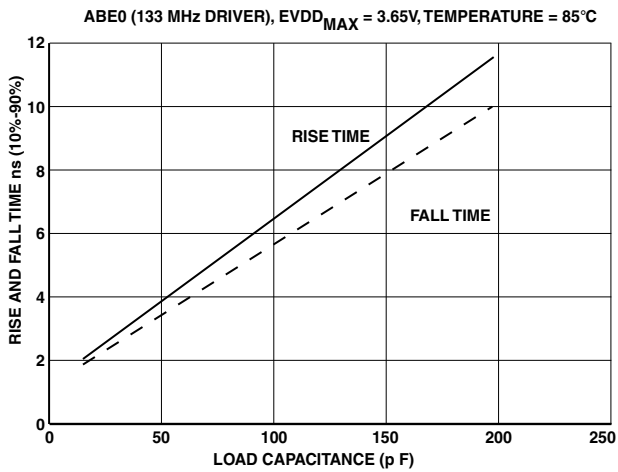


Figure 37. Typical Output Delay or Hold for Driver A at EVDD<sub>MAX</sub>

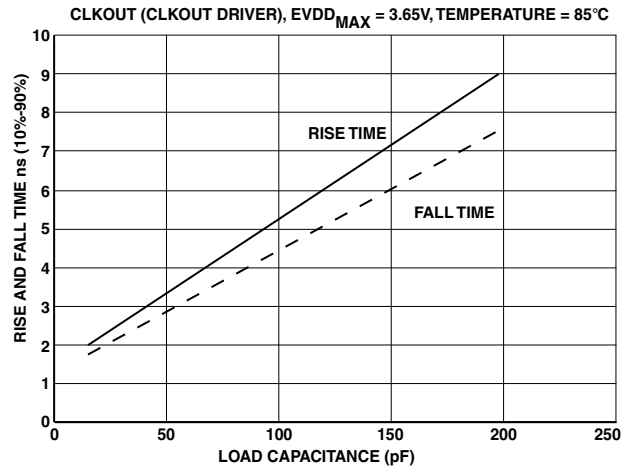


Figure 39. Typical Output Delay or Hold for Driver B at EVDD<sub>MAX</sub>

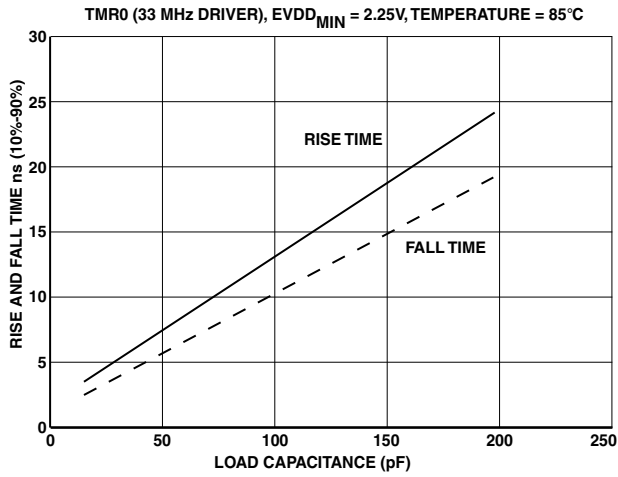


Figure 40. Typical Output Delay or Hold for Driver C at  $EVDD_{MIN}$

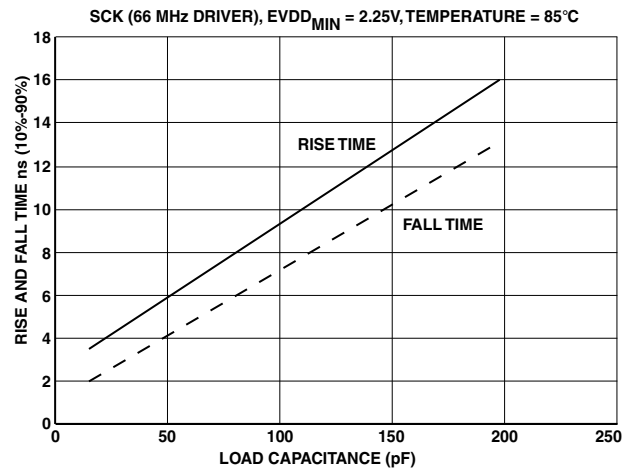


Figure 42. Typical Output Delay or Hold for Driver D at  $EVDD_{MIN}$

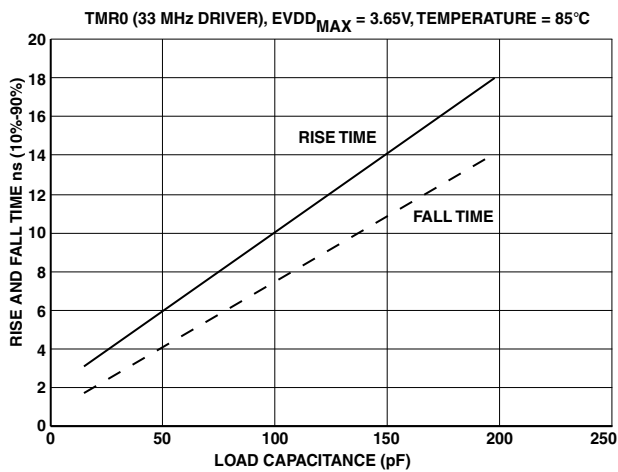


Figure 41. Typical Output Delay or Hold for Driver C at  $EVDD_{MAX}$

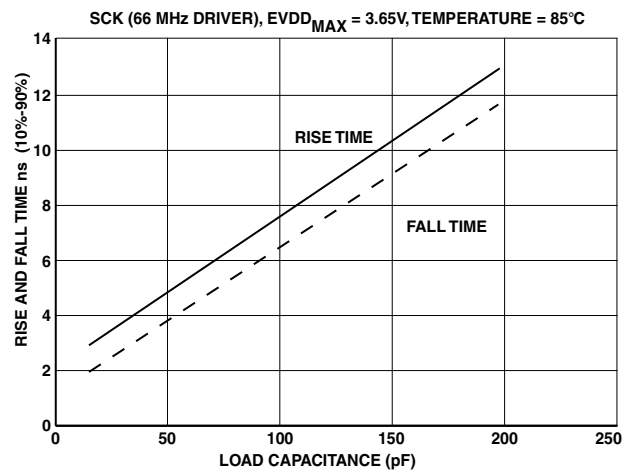


Figure 43. Typical Output Delay or Hold for Driver D at  $EVDD_{MAX}$

# ADSP-BF531/ADSP-BF532/ADSP-BF533

## ENVIRONMENTAL CONDITIONS

To determine the junction temperature on the application printed circuit board use:

$$T_J = T_{CASE} + (\Psi_{JT} \times P_D)$$

where:

$T_J$  = junction temperature (°C)

$T_{CASE}$  = case temperature (°C) measured by customer at top center of package.

$\Psi_{JT}$  = from [Table 31](#)

$P_D$  = power dissipation (see [Power Dissipation on Page 40](#) for the method to calculate  $P_D$ )

Values of  $\theta_{JA}$  are provided for package comparison and printed circuit board design considerations.  $\theta_{JA}$  can be used for a first order approximation of  $T_J$  by the equation:

$$T_J = T_A + (\theta_{JA} \times P_D)$$

where:

$T_A$  = ambient temperature (°C)

In [Table 31](#), airflow measurements comply with JEDEC standards JESD51-2 and JESD51-6, and the junction-to-board measurement complies with JESD51-8. The junction-to-case measurement complies with MIL-STD-883 (Method 1012.1). All measurements use a 2S2P JEDEC test board.

Thermal resistance  $\theta_{JA}$  in [Table 31](#) is the figure of merit relating to performance of the package and board in a convective environment.  $\theta_{JMA}$  represents the thermal resistance under two conditions of airflow.  $\theta_{JB}$  represents the heat extracted from the periphery of the board.  $\Psi_{JT}$  represents the correlation between  $T_J$  and  $T_{CASE}$ . Values of  $\theta_{JB}$  are provided for package comparison and printed circuit board design considerations.

**Table 31. Thermal Characteristics for BC-160 Package**

| Parameter      | Condition            | Typical | Unit |
|----------------|----------------------|---------|------|
| $\theta_{JA}$  | 0 Linear m/s Airflow | 34.1    | °C/W |
| $\theta_{JMA}$ | 1 Linear m/s Airflow | 30.1    | °C/W |
| $\theta_{JMA}$ | 2 Linear m/s Airflow | 28.8    | °C/W |
| $\theta_{JB}$  | Not applicable       | 25.55   | °C/W |
| $\theta_{JC}$  | Not applicable       | 8.75    | °C/W |
| $\Psi_{JT}$    | 0 Linear m/s Airflow | 0.13    | °C/W |

**Table 32. Thermal Characteristics for ST-176-1 Package**

| Parameter      | Condition            | Typical | Unit |
|----------------|----------------------|---------|------|
| $\theta_{JA}$  | 0 Linear m/s Airflow | 34.9    | °C/W |
| $\theta_{JMA}$ | 1 Linear m/s Airflow | 33.0    | °C/W |
| $\theta_{JMA}$ | 2 Linear m/s Airflow | 32.0    | °C/W |
| $\Psi_{JT}$    | 0 Linear m/s Airflow | 0.50    | °C/W |
| $\Psi_{JT}$    | 1 Linear m/s Airflow | 0.75    | °C/W |
| $\Psi_{JT}$    | 2 Linear m/s Airflow | 1.00    | °C/W |

**Table 33. Thermal Characteristics for B-169 Package**

| Parameter      | Condition            | Typical | Unit |
|----------------|----------------------|---------|------|
| $\theta_{JA}$  | 0 Linear m/s Airflow | 28.6    | °C/W |
| $\theta_{JMA}$ | 1 Linear m/s Airflow | 24.6    | °C/W |
| $\theta_{JMA}$ | 2 Linear m/s Airflow | 23.8    | °C/W |
| $\theta_{JB}$  | Not applicable       | 21.75   | °C/W |
| $\theta_{JC}$  | Not applicable       | 12.7    | °C/W |
| $\Psi_{JT}$    | 0 Linear m/s Airflow | 0.78    | °C/W |

## 160-LEAD BGA PINOUT

Table 34 lists the BGA pinout by signal. Table 35 on Page 46 lists the BGA pinout by ball number.

**Table 34. 160-Ball BGA Pin Assignment (Alphabetically by Signal)**

| Signal            | Ball No. | Signal           | Ball No. | Signal             | Ball No. | Signal            | Ball No. |
|-------------------|----------|------------------|----------|--------------------|----------|-------------------|----------|
| $\overline{ABE0}$ | H13      | DATA12           | M5       | GND                | L6       | SCK               | D1       |
| $\overline{ABE1}$ | H12      | DATA13           | N5       | GND                | L8       | SCKE              | B13      |
| ADDR1             | J14      | DATA14           | P5       | GND                | L10      | $\overline{SMS}$  | C13      |
| ADDR10            | M13      | DATA15           | P4       | GND                | M4       | $\overline{SRAS}$ | D13      |
| ADDR11            | M14      | DATA2            | P9       | GND                | M10      | $\overline{SWE}$  | D12      |
| ADDR12            | N14      | DATA3            | M8       | GND                | P14      | TCK               | P2       |
| ADDR13            | N13      | DATA4            | N8       | MISO               | E2       | TDI               | M3       |
| ADDR14            | N12      | DATA5            | P8       | MOSI               | D3       | TDO               | N3       |
| ADDR15            | M11      | DATA6            | M7       | NMI                | B10      | TFS0              | H3       |
| ADDR16            | N11      | DATA7            | N7       | PF0                | D2       | TFS1              | E1       |
| ADDR17            | P13      | DATA8            | P7       | PF1                | C1       | TMRO              | L2       |
| ADDR18            | P12      | DATA9            | M6       | PF10               | A4       | TMR1              | M1       |
| ADDR19            | P11      | DR0PRI           | K1       | PF11               | A5       | TMR2              | K2       |
| ADDR2             | K14      | DR0SEC           | J2       | PF12               | B5       | TMS               | N2       |
| ADDR3             | L14      | DR1PRI           | G3       | PF13               | B6       | $\overline{TRST}$ | N1       |
| ADDR4             | J13      | DR1SEC           | F3       | PF14               | A6       | TSCLK0            | J1       |
| ADDR5             | K13      | DT0PRI           | H1       | PF15               | C6       | TSCLK1            | F1       |
| ADDR6             | L13      | DT0SEC           | H2       | PF2                | C2       | TX                | K3       |
| ADDR7             | K12      | DT1PRI           | F2       | PF3                | C3       | VDDEXT            | A1       |
| ADDR8             | L12      | DT1SEC           | E3       | PF4                | B1       | VDDEXT            | C7       |
| ADDR9             | M12      | $\overline{EMU}$ | M2       | PF5                | B2       | VDDEXT            | C12      |
| $\overline{AMS0}$ | E14      | GND              | A10      | PF6                | B3       | VDDEXT            | D5       |
| $\overline{AMS1}$ | F14      | GND              | A14      | PF7                | B4       | VDDEXT            | D9       |
| $\overline{AMS2}$ | F13      | GND              | B11      | PF8                | A2       | VDDEXT            | F12      |
| $\overline{AMS3}$ | G12      | GND              | C4       | PF9                | A3       | VDDEXT            | G4       |
| $\overline{AOE}$  | G13      | GND              | C5       | PPI0               | C8       | VDDEXT            | J4       |
| ARDY              | E13      | GND              | C11      | PPI1               | B8       | VDDEXT            | J12      |
| $\overline{ARE}$  | G14      | GND              | D4       | PPI2               | A7       | VDDEXT            | L7       |
| $\overline{AWE}$  | H14      | GND              | D7       | PPI3               | B7       | VDDEXT            | L11      |
| $\overline{BG}$   | P10      | GND              | D8       | PPI_CLK            | C9       | VDDEXT            | P1       |
| $\overline{BGH}$  | N10      | GND              | D10      | $\overline{RESET}$ | C10      | VDDINT            | D6       |
| BMODE0            | N4       | GND              | D11      | RFS0               | J3       | VDDINT            | E4       |
| BMODE1            | P3       | GND              | F4       | RFS1               | G2       | VDDINT            | E11      |
| $\overline{BR}$   | D14      | GND              | F11      | RSCLK0             | L1       | VDDINT            | J11      |
| CLKIN             | A12      | GND              | G11      | RSCLK1             | G1       | VDDINT            | L4       |
| CLKOUT            | B14      | GND              | H4       | RTXI               | A9       | VDDINT            | L9       |
| DATA0             | M9       | GND              | H11      | RTXO               | A8       | VDDRTC            | B9       |
| DATA1             | N9       | GND              | K4       | RX                 | L3       | VROUT0            | A13      |
| DATA10            | N6       | GND              | K11      | SA10               | E12      | VROUT1            | B12      |
| DATA11            | P6       | GND              | L5       | $\overline{SCAS}$  | C14      | XTAL              | A11      |

# ADSP-BF531/ADSP-BF532/ADSP-BF533

Table 35. 160-Ball BGA Pin Assignment (Numerically by Ball Number)

| Ball No. | Signal                    | Ball No. | Signal                   | Ball No. | Signal                   | Ball No. | Signal                   |
|----------|---------------------------|----------|--------------------------|----------|--------------------------|----------|--------------------------|
| A1       | VDDEXT                    | C13      | $\overline{\text{SMS}}$  | H1       | DTOPRI                   | M3       | TDI                      |
| A2       | PF8                       | C14      | $\overline{\text{SCAS}}$ | H2       | DT0SEC                   | M4       | GND                      |
| A3       | PF9                       | D1       | SCK                      | H3       | TFS0                     | M5       | DATA12                   |
| A4       | PF10                      | D2       | PF0                      | H4       | GND                      | M6       | DATA9                    |
| A5       | PF11                      | D3       | MOSI                     | H11      | GND                      | M7       | DATA6                    |
| A6       | PF14                      | D4       | GND                      | H12      | $\overline{\text{ABE1}}$ | M8       | DATA3                    |
| A7       | PPI2                      | D5       | VDDEXT                   | H13      | $\overline{\text{ABE0}}$ | M9       | DATA0                    |
| A8       | RTX0                      | D6       | VDDINT                   | H14      | $\overline{\text{AWE}}$  | M10      | GND                      |
| A9       | RTXI                      | D7       | GND                      | J1       | TSCLK0                   | M11      | ADDR15                   |
| A10      | GND                       | D8       | GND                      | J2       | DR0SEC                   | M12      | ADDR9                    |
| A11      | XTAL                      | D9       | VDDEXT                   | J3       | RFS0                     | M13      | ADDR10                   |
| A12      | CLKIN                     | D10      | GND                      | J4       | VDDEXT                   | M14      | ADDR11                   |
| A13      | VR0UT0                    | D11      | GND                      | J11      | VDDINT                   | N1       | $\overline{\text{TRST}}$ |
| A14      | GND                       | D12      | $\overline{\text{SWE}}$  | J12      | VDDEXT                   | N2       | TMS                      |
| B1       | PF4                       | D13      | $\overline{\text{SRAS}}$ | J13      | ADDR4                    | N3       | TDO                      |
| B2       | PF5                       | D14      | $\overline{\text{BR}}$   | J14      | ADDR1                    | N4       | BMODE0                   |
| B3       | PF6                       | E1       | TFS1                     | K1       | DR0PRI                   | N5       | DATA13                   |
| B4       | PF7                       | E2       | MISO                     | K2       | TMR2                     | N6       | DATA10                   |
| B5       | PF12                      | E3       | DT1SEC                   | K3       | TX                       | N7       | DATA7                    |
| B6       | PF13                      | E4       | VDDINT                   | K4       | GND                      | N8       | DATA4                    |
| B7       | PPI3                      | E11      | VDDINT                   | K11      | GND                      | N9       | DATA1                    |
| B8       | PPI1                      | E12      | SA10                     | K12      | ADDR7                    | N10      | $\overline{\text{BGH}}$  |
| B9       | VDDRTC                    | E13      | ARDY                     | K13      | ADDR5                    | N11      | ADDR16                   |
| B10      | NMI                       | E14      | $\overline{\text{AMS0}}$ | K14      | ADDR2                    | N12      | ADDR14                   |
| B11      | GND                       | F1       | TSCLK1                   | L1       | RSCLK0                   | N13      | ADDR13                   |
| B12      | VR0UT1                    | F2       | DT1PRI                   | L2       | TMRO                     | N14      | ADDR12                   |
| B13      | SCKE                      | F3       | DR1SEC                   | L3       | RX                       | P1       | VDDEXT                   |
| B14      | CLKOUT                    | F4       | GND                      | L4       | VDDINT                   | P2       | TCK                      |
| C1       | PF1                       | F11      | GND                      | L5       | GND                      | P3       | BMODE1                   |
| C2       | PF2                       | F12      | VDDEXT                   | L6       | GND                      | P4       | DATA15                   |
| C3       | PF3                       | F13      | $\overline{\text{AMS2}}$ | L7       | VDDEXT                   | P5       | DATA14                   |
| C4       | GND                       | F14      | $\overline{\text{AMST}}$ | L8       | GND                      | P6       | DATA11                   |
| C5       | GND                       | G1       | RSCLK1                   | L9       | VDDINT                   | P7       | DATA8                    |
| C6       | PF15                      | G2       | RFS1                     | L10      | GND                      | P8       | DATA5                    |
| C7       | VDDEXT                    | G3       | DR1PRI                   | L11      | VDDEXT                   | P9       | DATA2                    |
| C8       | PPI0                      | G4       | VDDEXT                   | L12      | ADDR8                    | P10      | $\overline{\text{BG}}$   |
| C9       | PPI_CLK                   | G11      | GND                      | L13      | ADDR6                    | P11      | ADDR19                   |
| C10      | $\overline{\text{RESET}}$ | G12      | $\overline{\text{AMS3}}$ | L14      | ADDR3                    | P12      | ADDR18                   |
| C11      | GND                       | G13      | $\overline{\text{AOE}}$  | M1       | TMR1                     | P13      | ADDR17                   |
| C12      | VDDEXT                    | G14      | $\overline{\text{ARE}}$  | M2       | $\overline{\text{EMU}}$  | P14      | GND                      |

Figure 44 lists the top view of the BGA ball configuration.  
 Figure 45 lists the bottom view of the BGA ball configuration.

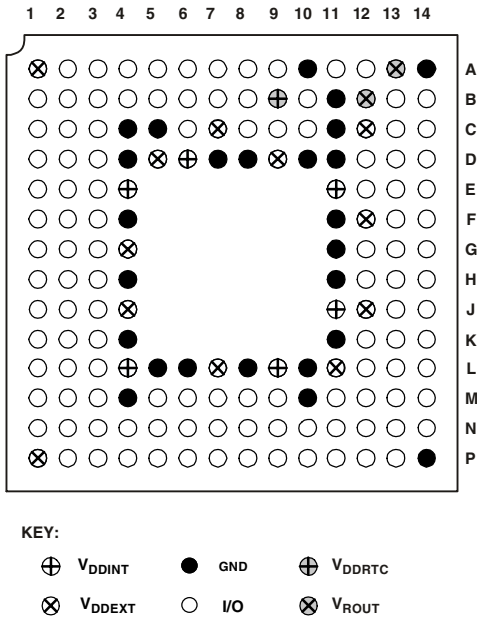


Figure 44. 160-Ball BGA Ball Configuration (Top View)

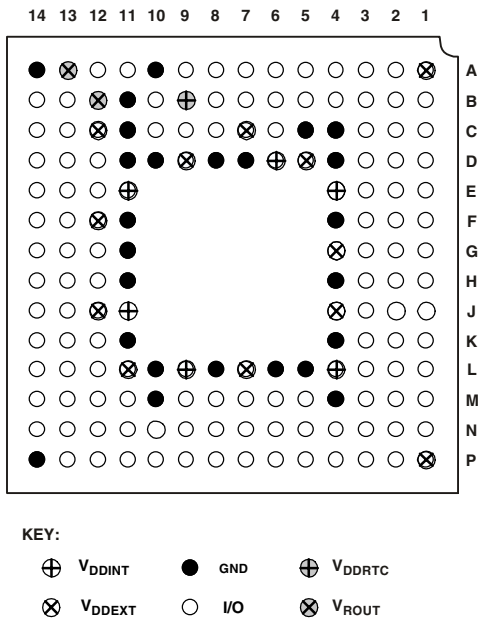


Figure 45. 160-Ball BGA Ball Configuration (Bottom View)

# ADSP-BF531/ADSP-BF532/ADSP-BF533

## 169-BALL PBGA PINOUT

Table 36 lists the PBGA pinout by signal. Table 37 on Page 49 lists the PBGA pinout by ball number.

Table 36. 169-Ball PBGA Pin Assignment (Alphabetically by Signal)

| Signal | Ball No. | Signal | Ball No. | Signal | Ball No. | Signal  | Ball No. | Signal | Ball No. |
|--------|----------|--------|----------|--------|----------|---------|----------|--------|----------|
| ABE0   | H16      | DATA12 | U7       | GND    | G10      | PF7     | A3       | VDD    | J12      |
| ABE1   | H17      | DATA13 | T7       | GND    | G11      | PF8     | B4       | VDD    | K12      |
| ADDR1  | J16      | DATA14 | U6       | GND    | H7       | PF9     | A4       | VDD    | L12      |
| ADDR10 | N16      | DATA15 | T6       | GND    | H8       | PPI0    | B9       | VDD    | M10      |
| ADDR11 | P17      | DATA2  | U13      | GND    | H9       | PPI1    | A9       | VDD    | M11      |
| ADDR12 | P16      | DATA3  | T11      | GND    | H10      | PPI2    | B8       | VDD    | M12      |
| ADDR13 | R17      | DATA4  | U12      | GND    | H11      | PPI3    | A8       | VROUT  | B12      |
| ADDR14 | R16      | DATA5  | U11      | GND    | J7       | PPI_CLK | B10      | VROUT  | B13      |
| ADDR15 | T17      | DATA6  | T10      | GND    | J8       | RESET   | A12      | XTAL   | A13      |
| ADDR16 | U15      | DATA7  | U10      | GND    | J9       | RFS0    | N1       |        |          |
| ADDR17 | T15      | DATA8  | T9       | GND    | J10      | RFS1    | J1       |        |          |
| ADDR18 | U16      | DATA9  | U9       | GND    | J11      | RSCLK0  | N2       |        |          |
| ADDR19 | T14      | DR0PRI | M2       | GND    | K7       | RSCLK1  | J2       |        |          |
| ADDR2  | J17      | DR0SEC | M1       | GND    | K8       | RTCVDD  | F10      |        |          |
| ADDR3  | K16      | DR1PRI | H1       | GND    | K9       | RTXI    | A10      |        |          |
| ADDR4  | K17      | DR1SEC | H2       | GND    | K10      | RTXO    | A11      |        |          |
| ADDR5  | L16      | DT0PRI | K2       | GND    | K11      | RX      | T1       |        |          |
| ADDR6  | L17      | DT0SEC | K1       | GND    | L7       | SA10    | B15      |        |          |
| ADDR7  | M16      | DT1PRI | F1       | GND    | L8       | SCAS    | A16      |        |          |
| ADDR8  | M17      | DT1SEC | F2       | GND    | L9       | SCK     | D1       |        |          |
| ADDR9  | N17      | EMU    | U1       | GND    | L10      | SCKE    | B14      |        |          |
| AMS0   | D17      | EVDD   | B2       | GND    | L11      | SMS     | A17      |        |          |
| AMS1   | E16      | EVDD   | F6       | GND    | M9       | SRAS    | A15      |        |          |
| AMS2   | E17      | EVDD   | F7       | GND    | T16      | SWE     | B17      |        |          |
| AMS3   | F16      | EVDD   | F8       | MISO   | E2       | TCK     | U4       |        |          |
| AOE    | F17      | EVDD   | F9       | MOSI   | E1       | TDI     | U3       |        |          |
| ARDY   | C16      | EVDD   | G6       | NMI    | B11      | TDO     | T4       |        |          |
| ARE    | G16      | EVDD   | H6       | PF0    | D2       | TFS0    | L1       |        |          |
| AWE    | G17      | EVDD   | J6       | PF1    | C1       | TFS1    | G2       |        |          |
| BG     | T13      | EVDD   | K6       | PF10   | B5       | TMRO    | R1       |        |          |
| BGH    | U17      | EVDD   | L6       | PF11   | A5       | TMR1    | P2       |        |          |
| BMODE0 | U5       | EVDD   | M6       | PF12   | A6       | TMR2    | P1       |        |          |
| BMODE1 | T5       | EVDD   | M7       | PF13   | B6       | TMS     | T3       |        |          |
| BR     | C17      | EVDD   | M8       | PF14   | A7       | TRST    | U2       |        |          |
| CLKIN  | A14      | EVDD   | T2       | PF15   | B7       | TSCLK0  | L2       |        |          |
| CLKOUT | D16      | GND    | B16      | PF2    | B1       | TSCLK1  | G1       |        |          |
| DATA0  | U14      | GND    | F11      | PF3    | C2       | TX      | R2       |        |          |
| DATA1  | T12      | GND    | G7       | PF4    | A1       | VDD     | F12      |        |          |
| DATA10 | T8       | GND    | G8       | PF5    | A2       | VDD     | G12      |        |          |
| DATA11 | U8       | GND    | G9       | PF6    | B3       | VDD     | H12      |        |          |



# ADSP-BF531/ADSP-BF532/ADSP-BF533

**Table 37. 169-Ball PBGA Pin Assignment (Numerically by Ball Number)**

| Ball No. | Signal  | Ball No. | Signal | Ball No. | Signal | Ball No. | Signal | Ball No. | Signal |
|----------|---------|----------|--------|----------|--------|----------|--------|----------|--------|
| A1       | PF4     | D16      | CLKOUT | J2       | RSCLK1 | M12      | VDD    | U9       | DATA9  |
| A2       | PF5     | D17      | AMS0   | J6       | EVDD   | M16      | ADDR7  | U10      | DATA7  |
| A3       | PF7     | E1       | MOSI   | J7       | GND    | M17      | ADDR8  | U11      | DATA5  |
| A4       | PF9     | E2       | MISO   | J8       | GND    | N1       | RFS0   | U12      | DATA4  |
| A5       | PF11    | E16      | AMS1   | J9       | GND    | N2       | RSCLK0 | U13      | DATA2  |
| A6       | PF12    | E17      | AMS2   | J10      | GND    | N16      | ADDR10 | U14      | DATA0  |
| A7       | PF14    | F1       | DT1PRI | J11      | GND    | N17      | ADDR9  | U15      | ADDR16 |
| A8       | PPI3    | F2       | DT1SEC | J12      | VDD    | P1       | TMR2   | U16      | ADDR18 |
| A9       | PPI1    | F6       | EVDD   | J16      | ADDR1  | P2       | TMR1   | U17      | BGH    |
| A10      | RTXI    | F7       | EVDD   | J17      | ADDR2  | P16      | ADDR12 |          |        |
| A11      | RTXO    | F8       | EVDD   | K1       | DT0SEC | P17      | ADDR11 |          |        |
| A12      | RESET   | F9       | EVDD   | K2       | DT0PRI | R1       | TMR0   |          |        |
| A13      | XTAL    | F10      | RTCVDD | K6       | EVDD   | R2       | TX     |          |        |
| A14      | CLKIN   | F11      | GND    | K7       | GND    | R16      | ADDR14 |          |        |
| A15      | SRAS    | F12      | VDD    | K8       | GND    | R17      | ADDR13 |          |        |
| A16      | SCAS    | F16      | AMS3   | K9       | GND    | T1       | RX     |          |        |
| A17      | SMS     | F17      | AOE    | K10      | GND    | T2       | EVDD   |          |        |
| B1       | PF2     | G1       | TSCLK1 | K11      | GND    | T3       | TMS    |          |        |
| B2       | EVDD    | G2       | TFS1   | K12      | VDD    | T4       | TDO    |          |        |
| B3       | PF6     | G6       | EVDD   | K16      | ADDR3  | T5       | BMODE1 |          |        |
| B4       | PF8     | G7       | GND    | K17      | ADDR4  | T6       | DATA15 |          |        |
| B5       | PF10    | G8       | GND    | L1       | TFS0   | T7       | DATA13 |          |        |
| B6       | PF13    | G9       | GND    | L2       | TSCLK0 | T8       | DATA10 |          |        |
| B7       | PF15    | G10      | GND    | L6       | EVDD   | T9       | DATA8  |          |        |
| B8       | PPI2    | G11      | GND    | L7       | GND    | T10      | DATA6  |          |        |
| B9       | PPI0    | G12      | VDD    | L8       | GND    | T11      | DATA3  |          |        |
| B10      | PPI_CLK | G16      | ARE    | L9       | GND    | T12      | DATA1  |          |        |
| B11      | NMI     | G17      | AWE    | L10      | GND    | T13      | BG     |          |        |
| B12      | VROUT   | H1       | DR1PRI | L11      | GND    | T14      | ADDR19 |          |        |
| B13      | VROUT   | H2       | DR1SEC | L12      | VDD    | T15      | ADDR17 |          |        |
| B14      | SCKE    | H6       | EVDD   | L16      | ADDR5  | T16      | GND    |          |        |
| B15      | SA10    | H7       | GND    | L17      | ADDR6  | T17      | ADDR15 |          |        |
| B16      | GND     | H8       | GND    | M1       | DR0SEC | U1       | EMU    |          |        |
| B17      | SWE     | H9       | GND    | M2       | DR0PRI | U2       | TRST   |          |        |
| C1       | PF1     | H10      | GND    | M6       | EVDD   | U3       | TDI    |          |        |
| C2       | PF3     | H11      | GND    | M7       | EVDD   | U4       | TCK    |          |        |
| C16      | ARDY    | H12      | VDD    | M8       | EVDD   | U5       | BMODE0 |          |        |
| C17      | BR      | H16      | ABE0   | M9       | GND    | U6       | DATA14 |          |        |
| D1       | SCK     | H17      | ABE1   | M10      | VDD    | U7       | DATA12 |          |        |
| D2       | PF0     | J1       | RFS1   | M11      | VDD    | U8       | DATA11 |          |        |

# ADSP-BF531/ADSP-BF532/ADSP-BF533

## 176-LEAD LQFP PINOUT

Table 38 lists the LQFP pinout by signal. Table 39 on Page 51 lists the LQFP pinout by lead number.

Table 38. 176-Lead LQFP Pin Assignment (Alphabetically by Signal)

| Signal            | Lead No. | Signal           | Lead No. | Signal | Lead No. | Signal             | Lead No. | Signal | Lead No. |
|-------------------|----------|------------------|----------|--------|----------|--------------------|----------|--------|----------|
| $\overline{ABE0}$ | 151      | DATA11           | 102      | GND    | 88       | PPI_CLK            | 21       | VDDEXT | 71       |
| $\overline{ABE1}$ | 150      | DATA12           | 101      | GND    | 89       | PPI0               | 22       | VDDEXT | 93       |
| ADDR1             | 149      | DATA13           | 100      | GND    | 90       | PPI1               | 23       | VDDEXT | 107      |
| ADDR10            | 137      | DATA14           | 99       | GND    | 91       | PPI2               | 24       | VDDEXT | 118      |
| ADDR11            | 136      | DATA15           | 98       | GND    | 92       | PPI3               | 26       | VDDEXT | 134      |
| ADDR12            | 135      | DATA2            | 114      | GND    | 97       | $\overline{RESET}$ | 13       | VDDEXT | 145      |
| ADDR13            | 127      | DATA3            | 113      | GND    | 106      | RFS0               | 75       | VDDEXT | 156      |
| ADDR14            | 126      | DATA4            | 112      | GND    | 117      | RFS1               | 64       | VDDEXT | 171      |
| ADDR15            | 125      | DATA5            | 110      | GND    | 128      | RSCLK0             | 76       | VDDINT | 25       |
| ADDR16            | 124      | DATA6            | 109      | GND    | 129      | RSCLK1             | 65       | VDDINT | 52       |
| ADDR17            | 123      | DATA7            | 108      | GND    | 130      | RTXI               | 17       | VDDINT | 66       |
| ADDR18            | 122      | DATA8            | 105      | GND    | 131      | RTXO               | 16       | VDDINT | 80       |
| ADDR19            | 121      | DATA9            | 104      | GND    | 132      | RX                 | 82       | VDDINT | 111      |
| ADDR2             | 148      | DROPRI           | 74       | GND    | 133      | SA10               | 164      | VDDINT | 143      |
| ADDR3             | 147      | DROSEC           | 73       | GND    | 144      | $\overline{SCAS}$  | 166      | VDDINT | 157      |
| ADDR4             | 146      | DR1PRI           | 63       | GND    | 155      | SCK                | 53       | VDDINT | 168      |
| ADDR5             | 142      | DR1SEC           | 62       | GND    | 170      | SCKE               | 173      | VDDRTC | 18       |
| ADDR6             | 141      | DTOPRI           | 68       | GND    | 174      | $\overline{SMS}$   | 172      | VROUT1 | 5        |
| ADDR7             | 140      | DTOSEC           | 67       | GND    | 175      | $\overline{SRAS}$  | 167      | VROUT2 | 4        |
| ADDR8             | 139      | DT1PRI           | 59       | GND    | 176      | $\overline{SWE}$   | 165      | XTAL   | 11       |
| ADDR9             | 138      | DT1SEC           | 58       | MISO   | 54       | TCK                | 94       |        |          |
| $\overline{AMS0}$ | 161      | $\overline{EMU}$ | 83       | MOSI   | 55       | TDI                | 86       |        |          |
| $\overline{AMS1}$ | 160      | GND              | 1        | NMI    | 14       | TDO                | 87       |        |          |
| $\overline{AMS2}$ | 159      | GND              | 2        | PF0    | 51       | TFS0               | 69       |        |          |
| $\overline{AMS3}$ | 158      | GND              | 3        | PF1    | 50       | TFS1               | 60       |        |          |
| $\overline{AOE}$  | 154      | GND              | 7        | PF10   | 34       | TMR0               | 79       |        |          |
| ARDY              | 162      | GND              | 8        | PF11   | 33       | TMR1               | 78       |        |          |
| $\overline{ARE}$  | 153      | GND              | 9        | PF12   | 32       | TMR2               | 77       |        |          |
| $\overline{AWE}$  | 152      | GND              | 15       | PF13   | 29       | TMS                | 85       |        |          |
| $\overline{BG}$   | 119      | GND              | 19       | PF14   | 28       | $\overline{TRST}$  | 84       |        |          |
| $\overline{BGH}$  | 120      | GND              | 30       | PF15   | 27       | TSCLK0             | 72       |        |          |
| BMODE0            | 96       | GND              | 39       | PF2    | 49       | TSCLK1             | 61       |        |          |
| BMODE1            | 95       | GND              | 40       | PF3    | 48       | TX                 | 81       |        |          |
| $\overline{BR}$   | 163      | GND              | 41       | PF4    | 47       | VDDEXT             | 6        |        |          |
| CLKIN             | 10       | GND              | 42       | PF5    | 46       | VDDEXT             | 12       |        |          |
| CLKOUT            | 169      | GND              | 43       | PF6    | 38       | VDDEXT             | 20       |        |          |
| DATA0             | 116      | GND              | 44       | PF7    | 37       | VDDEXT             | 31       |        |          |
| DATA1             | 115      | GND              | 56       | PF8    | 36       | VDDEXT             | 45       |        |          |
| DATA10            | 103      | GND              | 70       | PF9    | 35       | VDDEXT             | 57       |        |          |

# ADSP-BF531/ADSP-BF532/ADSP-BF533

**Table 39. 176-Lead LQFP Pin Assignment (Numerically by Lead Number)**

| Lead No. | Signal  | Lead No. | Signal | Lead No. | Signal | Lead No. | Signal | Lead No. | Signal |
|----------|---------|----------|--------|----------|--------|----------|--------|----------|--------|
| 1        | GND     | 41       | GND    | 81       | TX     | 121      | ADDR19 | 161      | AMS0   |
| 2        | GND     | 42       | GND    | 82       | RX     | 122      | ADDR18 | 162      | ARDY   |
| 3        | GND     | 43       | GND    | 83       | EMU    | 123      | ADDR17 | 163      | BR     |
| 4        | VROUT2  | 44       | GND    | 84       | TRST   | 124      | ADDR16 | 164      | SA10   |
| 5        | VROUT1  | 45       | VDDEXT | 85       | TMS    | 125      | ADDR15 | 165      | SWE    |
| 6        | VDDEXT  | 46       | PF5    | 86       | TDI    | 126      | ADDR14 | 166      | SCAS   |
| 7        | GND     | 47       | PF4    | 87       | TDO    | 127      | ADDR13 | 167      | SRAS   |
| 8        | GND     | 48       | PF3    | 88       | GND    | 128      | GND    | 168      | VDDINT |
| 9        | GND     | 49       | PF2    | 89       | GND    | 129      | GND    | 169      | CLKOUT |
| 10       | CLKIN   | 50       | PF1    | 90       | GND    | 130      | GND    | 170      | GND    |
| 11       | XTAL    | 51       | PF0    | 91       | GND    | 131      | GND    | 171      | VDDEXT |
| 12       | VDDEXT  | 52       | VDDINT | 92       | GND    | 132      | GND    | 172      | SMS    |
| 13       | RESET   | 53       | SCK    | 93       | VDDEXT | 133      | GND    | 173      | SCKE   |
| 14       | NMI     | 54       | MISO   | 94       | TCK    | 134      | VDDEXT | 174      | GND    |
| 15       | GND     | 55       | MOSI   | 95       | BMODE1 | 135      | ADDR12 | 175      | GND    |
| 16       | RTXO    | 56       | GND    | 96       | BMODE0 | 136      | ADDR11 | 176      | GND    |
| 17       | RTXI    | 57       | VDDEXT | 97       | GND    | 137      | ADDR10 |          |        |
| 18       | VDDRTC  | 58       | DT1SEC | 98       | DATA15 | 138      | ADDR9  |          |        |
| 19       | GND     | 59       | DT1PRI | 99       | DATA14 | 139      | ADDR8  |          |        |
| 20       | VDDEXT  | 60       | TFS1   | 100      | DATA13 | 140      | ADDR7  |          |        |
| 21       | PPI_CLK | 61       | TSCLK1 | 101      | DATA12 | 141      | ADDR6  |          |        |
| 22       | PPI0    | 62       | DR1SEC | 102      | DATA11 | 142      | ADDR5  |          |        |
| 23       | PPI1    | 63       | DR1PRI | 103      | DATA10 | 143      | VDDINT |          |        |
| 24       | PPI2    | 64       | RFS1   | 104      | DATA9  | 144      | GND    |          |        |
| 25       | VDDINT  | 65       | RSCLK1 | 105      | DATA8  | 145      | VDDEXT |          |        |
| 26       | PPI3    | 66       | VDDINT | 106      | GND    | 146      | ADDR4  |          |        |
| 27       | PF15    | 67       | DT0SEC | 107      | VDDEXT | 147      | ADDR3  |          |        |
| 28       | PF14    | 68       | DT0PRI | 108      | DATA7  | 148      | ADDR2  |          |        |
| 29       | PF13    | 69       | TFS0   | 109      | DATA6  | 149      | ADDR1  |          |        |
| 30       | GND     | 70       | GND    | 110      | DATA5  | 150      | ABE1   |          |        |
| 31       | VDDEXT  | 71       | VDDEXT | 111      | VDDINT | 151      | ABE0   |          |        |
| 32       | PF12    | 72       | TSCLK0 | 112      | DATA4  | 152      | AWE    |          |        |
| 33       | PF11    | 73       | DR0SEC | 113      | DATA3  | 153      | ARE    |          |        |
| 34       | PF10    | 74       | DR0PRI | 114      | DATA2  | 154      | AOE    |          |        |
| 35       | PF9     | 75       | RFS0   | 115      | DATA1  | 155      | GND    |          |        |
| 36       | PF8     | 76       | RSCLK0 | 116      | DATA0  | 156      | VDDEXT |          |        |
| 37       | PF7     | 77       | TMR2   | 117      | GND    | 157      | VDDINT |          |        |
| 38       | PF6     | 78       | TMR1   | 118      | VDDEXT | 158      | AMS3   |          |        |
| 39       | GND     | 79       | TMR0   | 119      | BG     | 159      | AMS2   |          |        |
| 40       | GND     | 80       | VDDINT | 120      | BGH    | 160      | AMS1   |          |        |

# ADSP-BF531/ADSP-BF532/ADSP-BF533

## OUTLINE DIMENSIONS

Dimensions in Figure 46—160-Ball Mini-BGA (BC-160), Figure 47—176-Lead LQFP (ST-176-1) and Figure 48—169-Ball Plastic Ball Grid Array (B-169) are shown in millimeters.

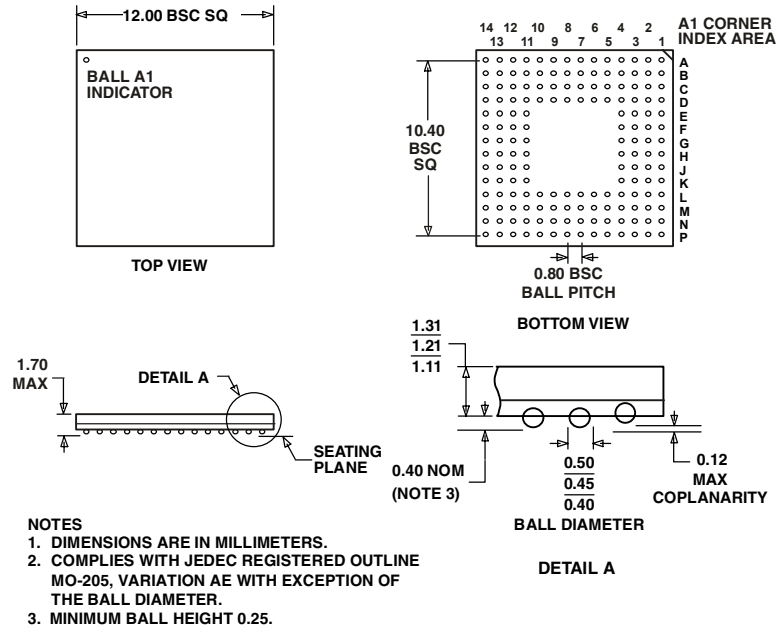
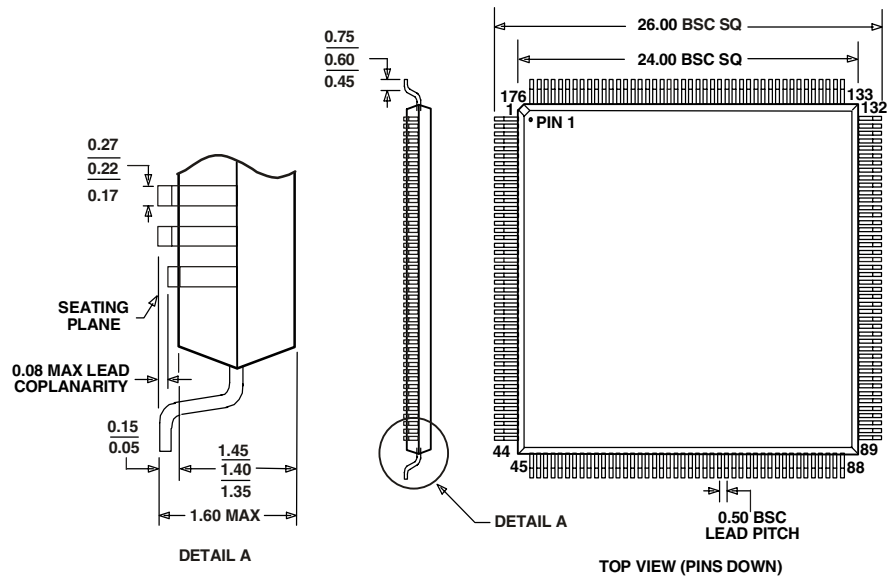


Figure 46. 160-Ball Mini-BGA (BC-160)



- NOTES**
1. DIMENSIONS IN MILLIMETERS
  2. ACTUAL POSITION OF EACH LEAD IS WITHIN 0.08 OF ITS IDEAL POSITION, WHEN MEASURED IN THE LATERAL DIRECTION.
  3. CENTER DIMENSIONS ARE NOMINAL

Figure 47. 176-Lead LQFP (ST-176-1)

# ADSP-BF531/ADSP-BF532/ADSP-BF533

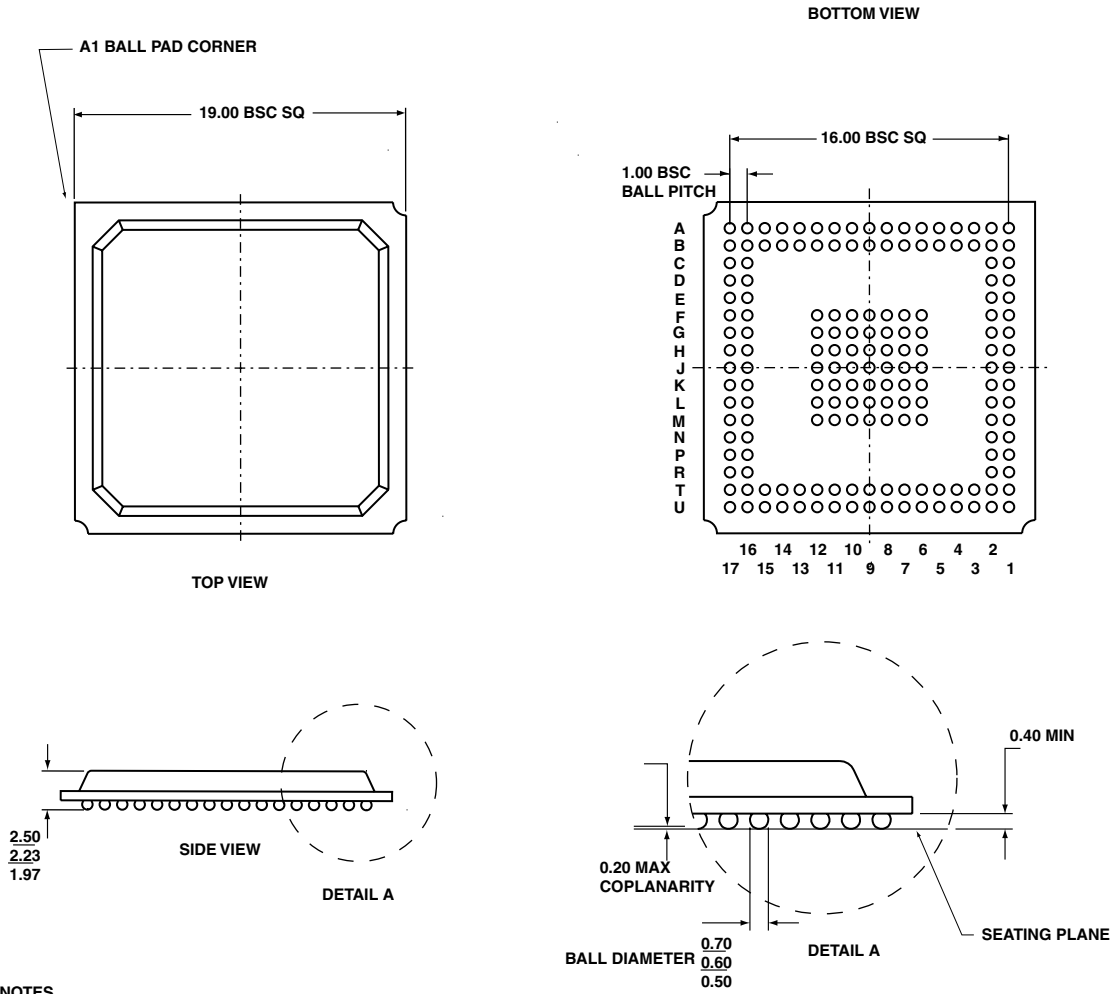


Figure 48. 169-Ball Plastic Ball Grid Array (B-169)

# ADSP-BF531/ADSP-BF532/ADSP-BF533

## ORDERING GUIDE

| Part Number                     | Temperature Range (Ambient) | Package Description                                  | Instruction Rate (Max) | Operating Voltage (Nom)             |
|---------------------------------|-----------------------------|--|------------------------|-------------------------------------|
| ADSP-BF533SKBC600               | 0°C to 70°C                 | Chip Scale Package Ball Grid Array (Mini-BGA) BC-160 | 600 MHz                | 1.26 V internal, 2.5 V or 3.3 V I/O |
| ADSP-BF533SKBCZ600 <sup>1</sup> | 0°C to 70°C                 | Chip Scale Package Ball Grid Array (Mini-BGA) BC-160 | 600 MHz                | 1.26 V internal, 2.5 V or 3.3 V I/O |
| ADSP-BF533SBBC500               | -40°C to 85°C               | Chip Scale Package Ball Grid Array (Mini-BGA) BC-160 | 500 MHz                | 1.26 V internal, 2.5 V or 3.3 V I/O |
| ADSP-BF533SBBZ500 <sup>1</sup>  | -40°C to 85°C               | Plastic Ball Grid Array (PBGA) B-169                 | 500 MHz                | 1.26 V internal, 2.5 V or 3.3 V I/O |
| ADSP-BF532SBBC400               | -40°C to 85°C               | Chip Scale Package Ball Grid Array (Mini-BGA) BC-160 | 400 MHz                | 1.2 V internal, 2.5 V or 3.3 V I/O  |
| ADSP-BF532SBST400               | -40°C to 85°C               | Quad Flatpack (LQFP) ST-176-1                        | 400 MHz                | 1.2 V internal, 2.5 V or 3.3 V I/O  |
| ADSP-BF532SBBZ400 <sup>1</sup>  | -40°C to 85°C               | Plastic Ball Grid Array (PBGA) B-169                 | 400 MHz                | 1.2 V internal, 2.5 V or 3.3 V I/O  |
| ADSP-BF531SBBC400               | -40°C to 85°C               | Chip Scale Package Ball Grid Array (Mini-BGA) BC-160 | 400 MHz                | 1.2 V internal, 2.5 V or 3.3 V I/O  |
| ADSP-BF531SBST400               | -40°C to 85°C               | Quad Flatpack (LQFP) ST-176-1                        | 400 MHz                | 1.2 V internal, 2.5 V or 3.3 V I/O  |
| ADSP-BF531SBSTZ400 <sup>1</sup> | -40°C to 85°C               | Quad Flatpack (LQFP) ST-176-1                        | 400 MHz                | 1.2 V internal, 2.5 V or 3.3 V I/O  |
| ADSP-BF531SBBZ400 <sup>1</sup>  | -40°C to 85°C               | Plastic Ball Grid Array (PBGA) B-169                 | 400 MHz                | 1.2 V internal, 2.5 V or 3.3 V I/O  |

<sup>1</sup>Z = Pb-free part.

