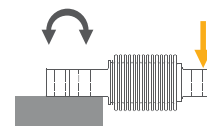


# BS555

## Bending Beam Load Cell



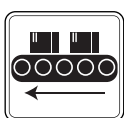
### Applications



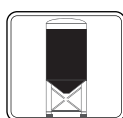
Floor Scales



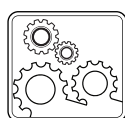
Suspended Vessel



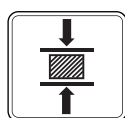
Conveyor Scales



Tank & Silo



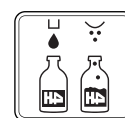
Industrial Processes



Testing Machines



Water Proof Scales



Packing & Filling Applications

### Key Features

- 5~500 kg Capacities
- OIML R60 approved
- Stainless steel bellow
- IP 68 Protection class

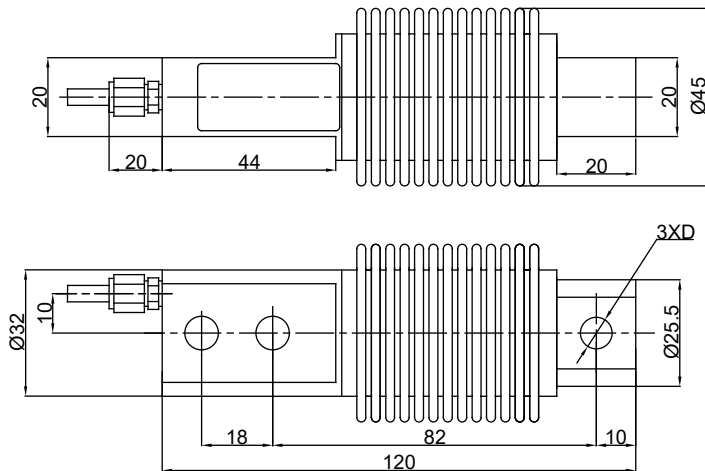
The BS555 is a welded bending beam type nickel plated alloy steel load cell with stainless steel bellow. It is available a wide range of capacities from 5 kg to 500kg.

With its OIML R60 C3 approval and IP68 protected construction, it is perfect choice for applications such as low profile platforms, weighing and bagging machines, conveyor, hopper and low capacity vessel weighing systems.

# Technical Specifications

Capacity ( $E_{max}$ )	kg	5 / 10 / 20 / 50 / 100 / 200 / 500
Accuracy class according to OIML R60		C3 (excluding 500kg)
Rated output (RO)	mV / V	$2.0 \pm 0.002$
Maximum number of load cell verification intervals ( $n_{LC}$ )		3000
Minimum load cell verification interval ( $V_{min}$ )		$E_{max} / 10000$
Temperature effect on zero	%RO / 10°C	$\pm 0.0175$
Temperature effect on sensitivity	%RO / 10°C	$\pm 0.0175$
Combined error	%RO	$\pm 0.02$
Safe load limit	% $E_{max}$	150
Ultimate load	% $E_{max}$	200
Zero balance	%RO	$\pm 1$
Creep error (30 minutes)	%RO	$\pm 0.017$
Excitation voltage, recommended	V (DC)	5 - 12 (DC)
Excitation voltage, maximum	V (DC)	15 (DC)
Input resistance	$\Omega$	$400 \pm 10$
Output resistance	$\Omega$	$352 \pm 3$
Insulation resistance (at 50 V DC)	M $\Omega$	$\geq 5000$ (at 50 VDC)
Compensated temperature range	°C	- 10... + 40
Operating temperature range	°C	- 30...+ 70
Material		Nickel Plated Alloy Steel with Stainless Steel Bellow
Protection class		IP68
Cable		Length : 5 m / diameter: 5 mm

## Dimensions (mm)

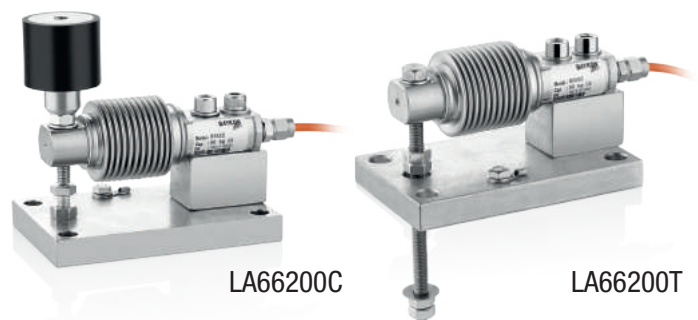


Capacity	D
$\leq 250$	$\varnothing 8.2$
$> 250$	$\varnothing 10.2$

## Color Codes

Function	Colors
+ input	blue
+ output	white
- input	black
- output	red
shield	yellow

## W Modules



LA66200C

LA66200T