

Features

- Multiturn / Cermet / Industrial / Sealed
- Standoffs allow through PC board washing
- Tape and reel packaging available
- RoHS compliant* version available
- For trimmer applications/processing guidelines, [click here](#)

3266 - 1/4" Square Trimpot® Trimming Potentiometer

Electrical Characteristics

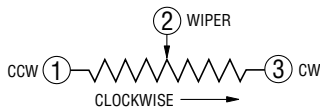
Standard Resistance Range10 ohms to 1 megohm
 (see standard resistance table)
 Resistance Tolerance ±10 % std.
 Absolute Minimum Resistance 1 % or 2 ohms max.
 (whichever is greater)
 Contact Resistance Variation 3.0 % or 3 ohms max.
 (whichever is greater)
 Adjustability
 Voltage Divider ±0.02 %
 Rheostat ±0.05 %
 Resolution Infinite
 Insulation Resistance 500 vdc.
 1,000 megohms min.
 Dielectric Strength
 Sea Level 600 vac
 80,000 Feet 250 vac
 Effective Travel 12 turns nom.

Environmental Characteristics

Power Rating (300 volts max.)
 70 °C 0.25 watt
 150 °C 0 watt
 Temperature Range ... -55 °C to +125 °C
 Temperature Coefficient ... ±100 ppm/°C
 Seal Test 85 °C Fluorinert†
 Humidity MIL-STD-202 Method 103
 96 hours (2 % ΔTR, 10 Megohms IR)
 Vibration 30 G (1 % ΔTR; 1 % ΔVR)
 Shock 100 G (1 % ΔTR; 1 % ΔVR)
 Load Life... 1,000 hours 0.25 watt 70 °C
 (3 % ΔTR; 3 % CRV)
 Rotational Life 200 cycles
 (4 % ΔTR; 3 % or 3 ohms, whichever is greater, CRV)

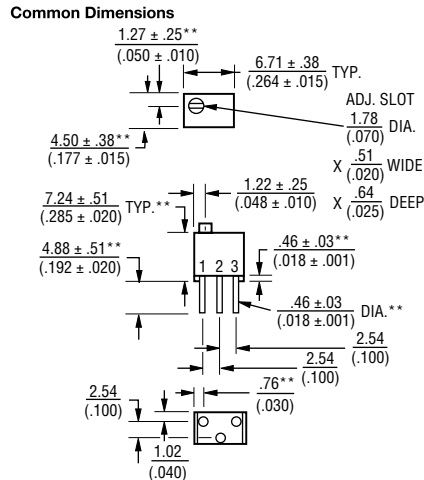
Physical Characteristics

Torque 3.0 oz-in. max.
 Mechanical Stops Wiper idles
 Terminals Solderable pins
 Weight 0.015 oz.
 Marking Manufacturer's trademark, resistance code, wiring diagram, date code, manufacturer's model number and style
 Wiper 50 % (Actual TR) ±10 %
 Flammability U.L. 94V-0
 Standard Packaging 50 pcs. per tube
 Adjustment Tool H-90

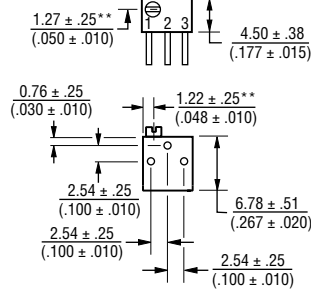


Product Dimensions

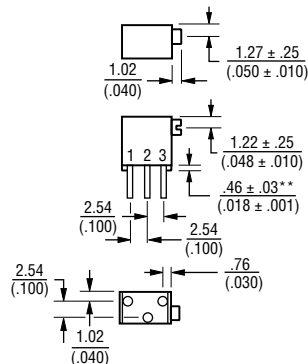
3266W



3266P



3266X

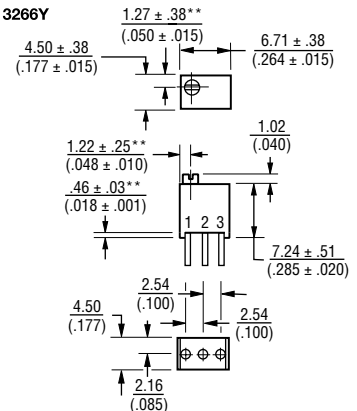


**Common dimensions

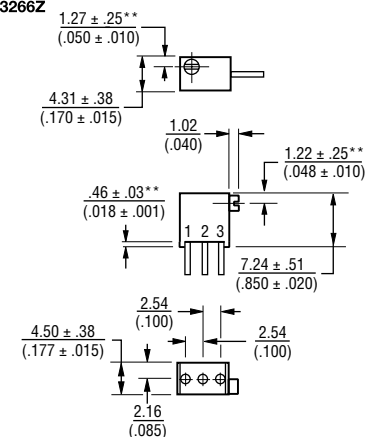
DIMENSIONS: $\frac{\text{MM}}{\text{(INCHES)}}$

TOLERANCES: ± $\frac{0.25}{(.010)}$ EXCEPT WHERE NOTED

3266Y



3266Z



How To Order

Model **3266 W - 1 - 103 LF**

Style _____

Standard or Modified Product Indicator
 - 1 = Standard Product

Resistance Code _____

Packaging Designator
 Blank = Tube (Standard)
 R = Tape and Reel (Z and Y Pin Styles Only)
 A = Ammo Pack (Z and Y Pin Styles Only)

Terminations
 LF = 100 % Tin-plated (RoHS compliant)
 Blank = 90 % Tin / 10 % Lead-plated (Standard)

Consult factory for other available options.
 Tape and reel material meets Antistatic ANSI/ESD 5541-2003 packaging standards.

*RoHS Directive 2002/95/EC Jan. 27, 2003 including annex and RoHS Recast 2011/65/EU June 8, 2011.

†"Fluorinert" is a registered trademark of 3M Co. Specifications are subject to change without notice.

The device characteristics and parameters in this data sheet can and do vary in different applications and actual device performance may vary over time. Users should verify actual device performance in their specific applications.

3266 - 1/4 " Square Trimpot® Trimming Potentiometer

BOURNS®

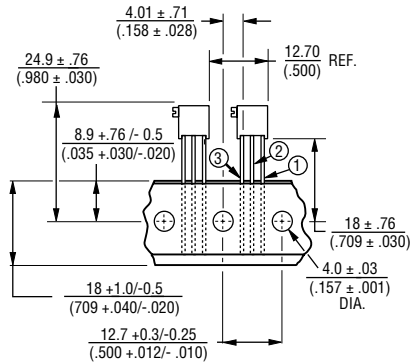
Standard Resistance Table

Resistance (Ohms)	Resistance Code
10	100
100	101
200	201
500	501
1,000	102
2,000	202
5,000	502
10,000	103
20,000	203
25,000	253
50,000	503
100,000	104
200,000	204
250,000	254
500,000	504
1,000,000	105

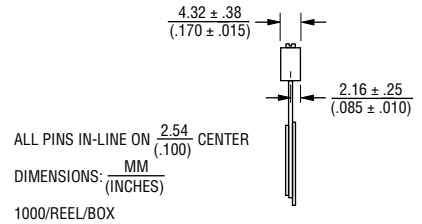
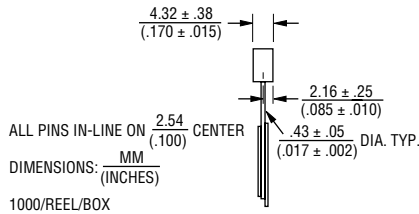
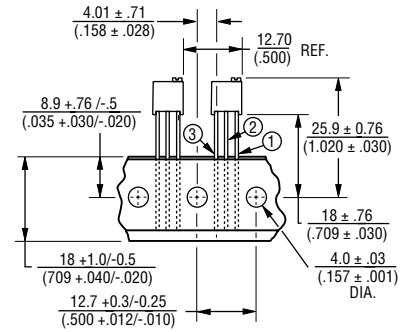
Popular distribution resistance values listed in boldface. Special resistances available.

Packaging Specifications

SIDE ADJUST 3266Z-1



TOP ADJUST 3266Y-1



Meets EIA Specification 468.

DIMENSIONS: $\frac{\text{MM}}{\text{(INCHES)}}$

REV. 05/16

"Trimpot" is a registered trademark of Bourns, Inc. Specifications are subject to change without notice.

The device characteristics and parameters in this data sheet can and do vary in different applications and actual device performance may vary over time. Users should verify actual device performance in their specific applications.

Mouser Electronics

Authorized Distributor

Click to View Pricing, Inventory, Delivery & Lifecycle Information:

Bourns:

[3266Z-1-100](#) [3266X-1-104](#) [3266Y-1-100](#) [3266Y-1-104](#) [3266X-1-100](#) [3266Y-1-103](#) [3266Y-1-102](#) [3266X-1-102](#)
[3266Z-1-102](#) [3266X-1-101](#) [3266Y-1-105](#) [3266Z-1-101](#) [3266Y-1-101](#) [3266X-1-105](#) [3266Z-1-105](#) [3266Z-1-104](#)
[3266X-1-103](#) [3266Z-1-103](#) [3266Y-1-203R](#) [3266Y-1-201R](#) [3266Y-1-104R](#) [3266W-1-203](#) [3266W-1-202](#) [3266W-1-200](#)
[3266P-1-203](#) [3266P-1-204](#) [3266W-1-204](#) [3266W-1-205](#) [3266W-1-201](#) [3266P-1-200](#) [3266P-1-201](#) [3266Y-1-500R](#)
[3266X-1-204](#) [3266Y-1-200](#) [3266X-1-202](#) [3266Y-1-201](#) [3266Z-1-202](#) [3266X-1-201](#) [3266Y-1-202](#) [3266Z-1-201](#)
[3266X-1-203](#) [3266Z-1-204](#) [3266Z-1-200](#) [3266Y-1-204](#) [3266Z-1-203](#) [3266X-1-200](#) [3266Y-1-203](#) [3266Z-1-253](#)
[3266X-1-253](#) [3266X-1-254](#) [3266Y-1-503R](#) [3266Y-1-501R](#) [3266Z-1-502R](#) [3266Y-1-502R](#) [3266W-1-503](#) [3266P-1-503](#) [3266W-1-501](#) [3266W-1-502](#) [3266P-1-502](#) [3266W-1-500](#) [3266P-1-504](#) [3266P-1-500](#) [3266P-1-501](#) [3266W-1-504](#) [3266Y-1-102R](#) [3266Y-1-103R](#) [3266Z-1-103R](#) [3266Z-1-101R](#) [3266Y-1-105R](#) [3266Y-1-101R](#) [3266X-1-601](#)
[3266W-1-473](#) [3266Y-1-202R](#) [3266Y-1-204R](#) [3266P-1-101LF](#) [3266P-1-102LF](#) [3266P-1-103LF](#) [3266P-1-105LF](#)
[3266P-1-202LF](#) [3266P-1-203LF](#) [3266P-1-254LF](#) [3266P-1-502LF](#) [3266P-1-503LF](#) [3266P-1-504LF](#) [3266W-1-100LF](#)
[3266W-1-101LF](#) [3266W-1-102LF](#) [3266W-1-103LF](#) [3266W-1-104LF](#) [3266W-1-105LF](#) [3266W-1-200LF](#) [3266W-1-201LF](#) [3266W-1-202LF](#) [3266W-1-203LF](#) [3266W-1-204LF](#) [3266W-1-253LF](#) [3266W-1-254LF](#) [3266W-1-500LF](#)
[3266W-1-501LF](#) [3266W-1-502LF](#)