

Specification

APPROVAL SHEET

CUSTOMER:
PRODUCTS: LL series Dc-link Capacitor
CATEGORY: 1300VDC 300μF
PART NUMBER: 307K132D51301
CUSTOMER CODE:
DATE: Sep. 05, 2020

承認印/APPROVAL STAMP		
供方 /VENDER		客戶 /CUSTOMER
Design	Audit	
Shanwu Liang 16/07/17	Wuqiang Ji 16/07/17	

Specification Revisions:

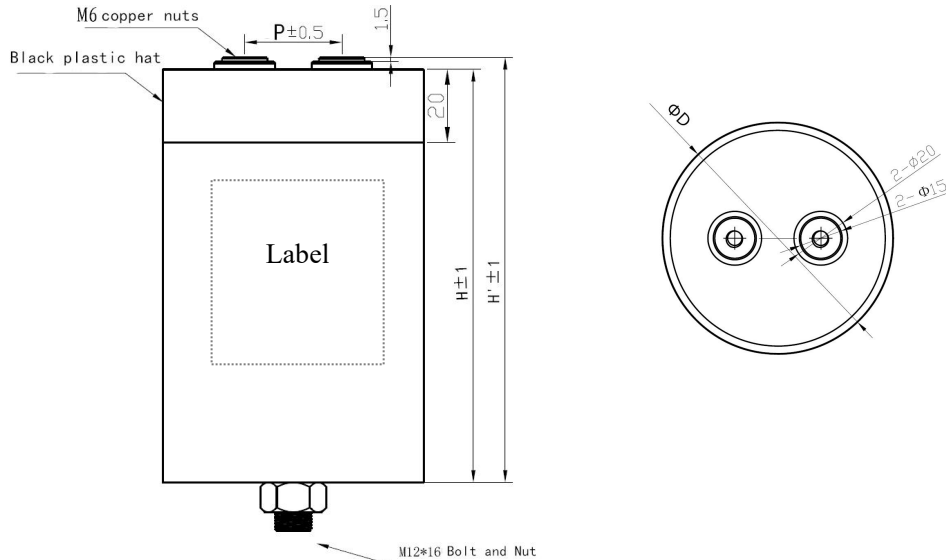
Revision Level	Revision Change	Date	Initials
Ver 1.0	New design	16/07/17	Wuqiang.Ji

CABO ELECTRONICS(FOSHAN) LIMITED

TEL: 86-757-8879 3288 FAX: 86-757-8619 7918
 info@cabofs.com www.cabonix.com

LL series DC Capacitor

1300VDC300 μ F Ordering code:307K132D51301



Unit:mm	Pitch(P)	Height(H)	Height'(H')	Diameter(ΦD)
	32	155	159	86

Dimensions in mm, unmarked dimensions tolerance ± 1

技術參數 Technical specification

Electric parameters	
電容量 Capacitance	300 μ F
容量偏差 Capacitance tolerance	$\pm 10\%$ (K)
額定電壓 Rated Voltage	1300V.DC
浪湧電壓 Surge Voltage	1950V.DC $t < 100\text{ms}$
有效電流 Current (RMS)	60A @60 $^{\circ}$ C;40A @85 $^{\circ}$ C
脈衝電流 Current(Peak)	3000A $Dv/Dt > 10\text{V}/\mu\text{s}$
過壓運行時間 Over-load operating	1.1Un(No over 30% of operating time)
等效串聯電阻 ESR	$\leq 1.6\text{m}\Omega$ 1KHz
損耗角正切值 Dissipation Factor	$\text{tg}\delta \leq 0.0015$ (@ 20 $^{\circ}$ C 100Hz)
電感量 Ls	$\leq 35\text{nH}$
絕緣電阻 Insulation Resistance	$R \times C \geq 15000\text{s}$ (100V, 60s)
運行溫度 Operating Temperature(T_w)	-40~105 $^{\circ}$ C*
儲存溫度 Storage Temperature	-40~85 $^{\circ}$ C
預期壽命 Work life	>100,000 Hours ($\Delta C \leq 15\%$, $T_w \leq 85^{\circ}\text{C}$)
濕度 Humidity RH	0~95%
失效率 Failure Rate	$\leq 100\text{Fit}$
保護等級 Protection level	P0
爬電距離 Creepage Distance	$\geq 17\text{mm}$ IEC60664-1:2007
電氣間隙 Electric Clearance	$\geq 17\text{mm}$ IEC60664-1:2007

肯博電子(佛山)有限公司

Physical and test parameters	
極間耐壓 Test voltage between terminals	1950V.DC 10s @25°C
極殼耐壓 Test voltage between terminal/case	4500V.AC 10s @25°C
外殼材料 Encloser material	Aluminum case
內部絕緣材料 Internal insulation	Epoxy resin(Dry type)
電介質 Dielectric medium	Metallized polypropylene film
最大扭矩 Max. Torque of terminal	6Nm
冷卻方式 Cooling mode	Nature cooling
海拔高度 Altitude	≤4000m
阻燃性 Fire resistance	UL94 V-0

* +85°C to +105°C(case):decreasing factor 1.5% per °C for Un(dc)

LL series are aluminum can capacitor with PU and epoxy resin sealed.Special designed for dc link and filtering application. Can be used into industrial control,VFD,solar inverter, power supply etc.

引用標準 Reference standard

IEC61071-1/2 Internal Enterprises Standard

包裝與運輸 Packing and shipment

For the packing box with capacitor,any kinds of shipment are permitted.

But the sprinkle of rain or snow and mechanical damage must be avoided.

標識 Marking

The capacitor is marked by laser print, With following information:

- 1.rated capacitance value(300μF)
- 2.Rated voltage(1300V.DC)
- 3.Tolerance on rated capacitance(K ±10%)
- 4.Part number of this capacitor(307K132D51301)
- 5.Year and week of manufacture(MFR/DATE)



■ Cautions and warnings

- (1)The capacitor have not discharge resistors between terminals,so the energy stocked in the capacitor may be lethal,before handle capacitors please discharge through resistor, short-circuit the capacitor is not permit.
- (2)Check thickness of the connections/terminals periodically.
- (3)Do not use or store capacitors in corrosive atmosphere,especially where chloride gas,sulfide gas,acid,alkali,salt or the like are present.In the dusty environment regular maintenance and cleaning especially of the terminals is required to avoid conductive path between phases.
- (4)In case of dents of more than 5mm depth or any other mechanical damage,capacitors must not be used at all.
- (5)Don't hesitate to contact us for any doubts and more detail information.

肯博電子(佛山)有限公司