

# Pressure Transmitter Data Sheet

## Air-condition Pressure Transmitter

### Model: CMPT124B-234

#### Introduction

- ◆ The CMPT124B-234 series adopts diffused silicon or ceramic piezoresistive sensor chip, with compact configuration, easy to install, and special valve pin design for lead pressure port, perfect electrical performance and long-term stability make it the idea choice for the air-condition and compressor pressure measuring and controlling.
- ◆ This series can replace the similar type of other products, and it can meet the requirement of various compressors and refrigeration equipments.

#### Application

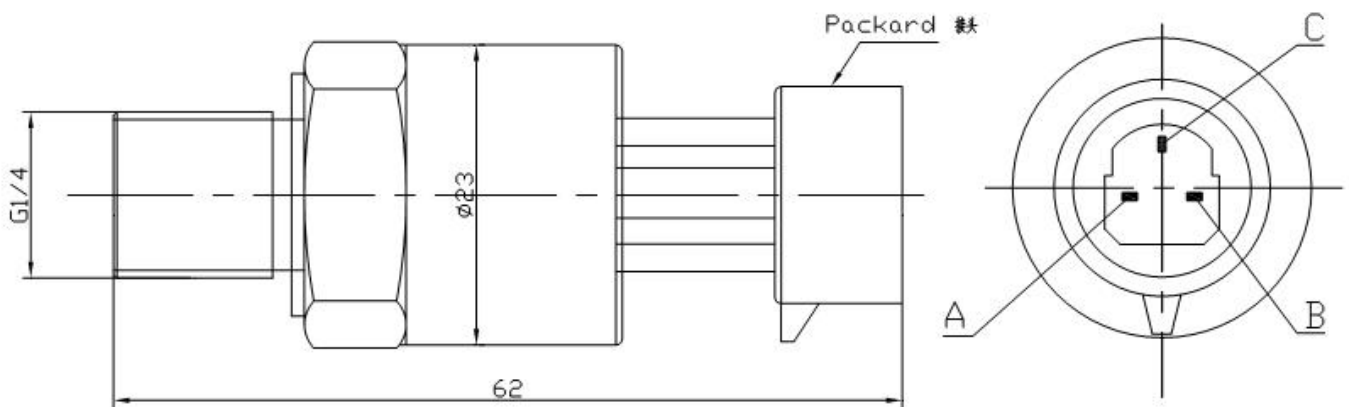
- ◆ Laboratory test apparatus
- ◆ Agricultural chemical equipment
- ◆ Refrigeration and HVAC systems
- ◆ Hydraulic system
- ◆ Gas tank pressure monitoring
- ◆ Coolant pressure

#### Features:

- ◆ Superior long term stability
- ◆ Temperature compensated over wide range
- ◆ Low power consumption
- ◆ Excellent repeatability/Hysteresis
- ◆ Special design for customer
- ◆ Many OEM options



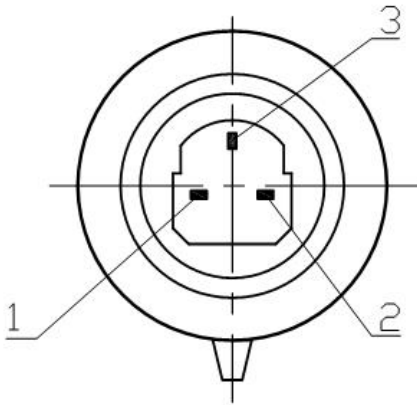
#### Dimensions(mm):



# Pressure Transmitter Data Sheet

Technical Characteristics	
Model	CMPT124B-234
Range	0...1bar to 0...800bar
Accuracy	0.5%FS
Linear	0.02%FS
Reliability	0.05%FS
Output	0.5-4.5V; 0-5V;0.5-5V, 1-5V; 4-20mA or customization
Input voltage	24(5-36V)DC according to the output signal
Operating Temperature	-20~100℃
Compensated temperature	-10~65℃ (Standard compensation)
Overload pressure	150%FS
Case material	stainless steel (SS304)
Electric connection	Packard connector or customization
Process connection	7/16-20UNF, 1/4NPT, 1/8NPT (Optional)

## Wiring code:



Signal Output	4-20mA (2 Wires)		0-5V, 0.5-4.5V, 1-5V, 0.5-5V (3 Wires)	
Wiring Code	1	Input (Red)	1	Input (Red)
	2	Output (Black)	2	common point (Black)
	3	None	3	Output (Blue)

Remarks: Above wiring connector is the standard type, if you need the special wiring, please contact us.

## Ordering Guide



# Pressure Transmitter Data Sheet

Model	Range (bar)	Output	Screw Thread	Electric connection	Accuracy	Diameter (mm)	Other requirement
CMPT124B-234	*	*	*	*	*	*	---
Example: CMPT124B-234-16Bar-4/20mA-G1/4-Packard connector-0.5%-23							

