

Pressure Transmitter Data Sheet

Air-condition Pressure Transmitter

Model: CMPT124B-234

Introduction

- ◆ The CMPT124B-234 series adopts diffused silicon or ceramic piezoresistive sensor chip, with compact configuration, easy to install, and special valve pin design for lead pressure port, perfect electrical performance and long-term stability make it the idea choice for the air-condition and compressor pressure measuring and controlling.
- ◆ This series can replace the similar type of other products, and it can meet the requirement of various compressors and refrigeration equipments.

Application

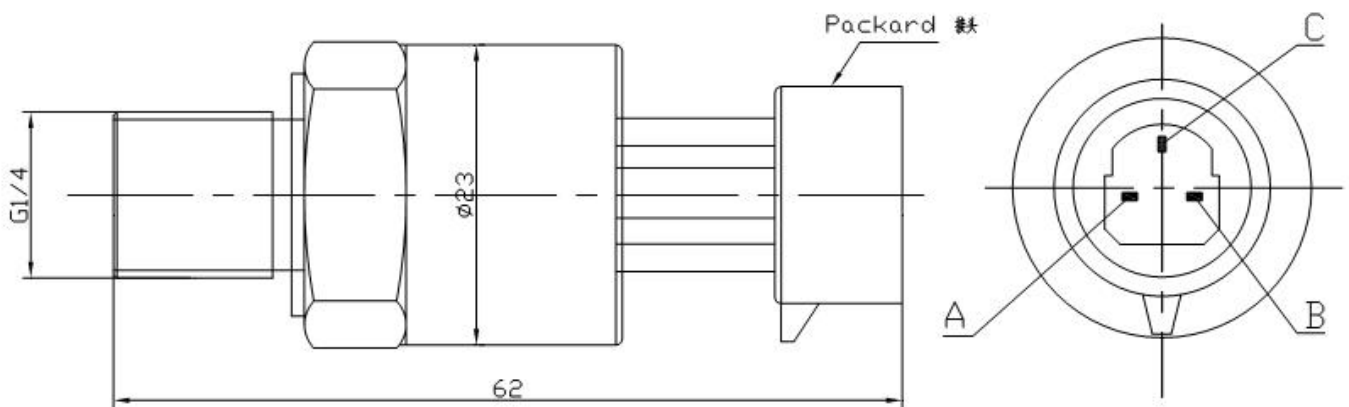
- ◆ Laboratory test apparatus
- ◆ Agricultural chemical equipment
- ◆ Refrigeration and HVAC systems
- ◆ Hydraulic system
- ◆ Gas tank pressure monitoring
- ◆ Coolant pressure

Features:

- ◆ Superior long term stability
- ◆ Temperature compensated over wide range
- ◆ Low power consumption
- ◆ Excellent repeatability/Hysteresis
- ◆ Special design for customer
- ◆ Many OEM options



Dimensions(mm):

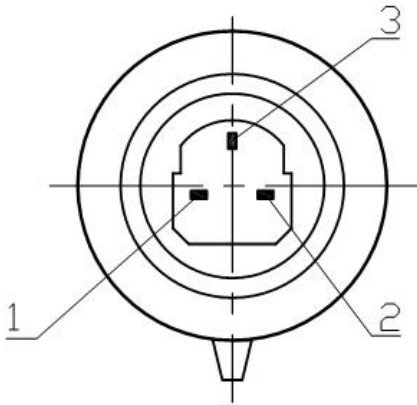


Pressure Transmitter Data Sheet

Technical Characteristics

Model	CMPT124B-234
Range	0...1bar to 0...800bar
Accuracy	0.5%FS
Linear	0.02%FS
Reliability	0.05%FS
Output	0.5-4.5V; 0-5V;0.5-5V, 1-5V; 4-20mA or customization
Input voltage	24(5-36V)DC according to the output signal
Operating Temperature	-20~100°C
Compensated temperature	-10~65°C (Standard compensation)
Overload pressure	150%FS
Case material	stainless steel (SS304)
Electric connection	Packard connector or customization
Process connection	7/16-20UNF, 1/4NPT, 1/8NPT (Optional)

Wiring code:



Signal Output	4-20mA (2 Wires)		0-5V, 0.5-4.5V, 1-5V, 0.5-5V (3 Wires)	
Wiring Code	1	Input (Red)	1	Input (Red)
	2	Output (Black)	2	common point (Black)
	3	None	3	Output (Blue)

Remarks: Above wiring connector is the standard type, if you need the special wiring, please contact us.

Ordering Guide



Pressure Transmitter Data Sheet

Model	Range (bar)	Output	Screw Thread	Electric connection	Accuracy	Diameter (mm)	Other requirement
CMPT124B-234	*	*	*	*	*	*	---
Example: CMPT124B-234-16Bar-4/20mA-G1/4-Packard connector-0.5%-23							

