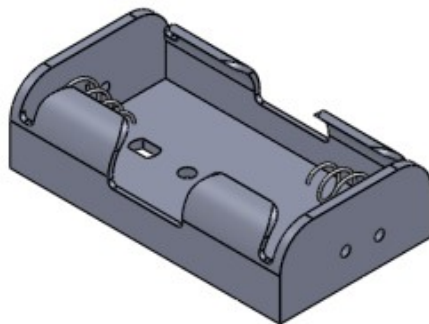



SPECIFICATION

- (1) ITEM NO.: BH-321-1A
- (2) WIRE: UL1007 AWG#26
BLACK & RED 150MM \pm 5MM
STRIP & TIN 5MM \pm 1MM
- (3) MATERIAL: P.P. RESIN, BLACK COLOR
- (4) SPRING: 0.6 MM 65C SPRING WIRE



3			 COMFORTABLE ELECTRONIC CO.LTD.			
2						
1			NAME	BATTERY HOLDER BH-321-1A		
NO.	MODIFICATION	DATE	SCALE	1:1	APPD.	<i>Yuhzilin</i>
			UNIT	MM	CHKD.	<i>Huangyonglian</i>
			MAT'L	P.P.	DWN.	LING
			DATE	MAR.22.2000	DR NO.	3211A-0300

