

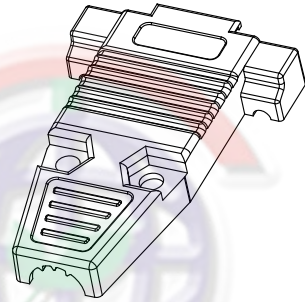
The information provided herein is from CONNELY Electronic Co., Ltd. and is confidential. Any disclosure to a party other than the recipient is prohibited. The intellectual properties and its rights contained herein, including but not limited to, trademarks, patents, copyrights, trade secrets, and technical know-how, are owned exclusively by CONNELY or its affiliates. Unauthorized use of this information in any format or manner. CONNELY may enforce its intellectual property rights at its own discretion; failures or delays to exercise such rights does not constitute a waiver of such rights.

1 2 3 4 5 6 7 8

Dept	
Qty	
DC	1
ED	1
IE	1
ISO	1
PD	1
R&D	1
SD	1
QA	1
QC	1
QE	1

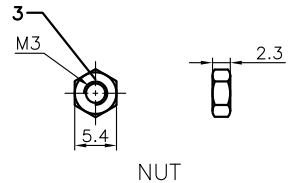
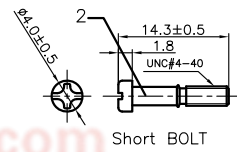
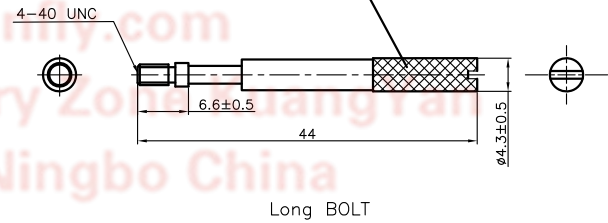
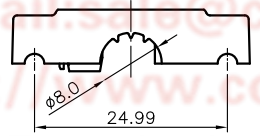
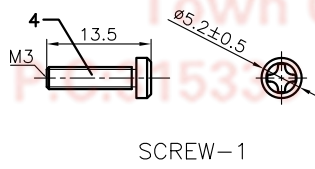
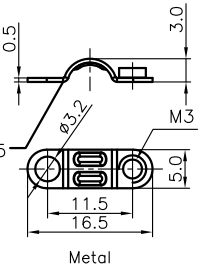
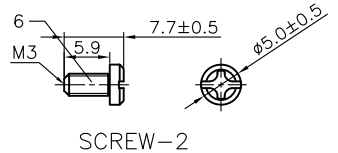
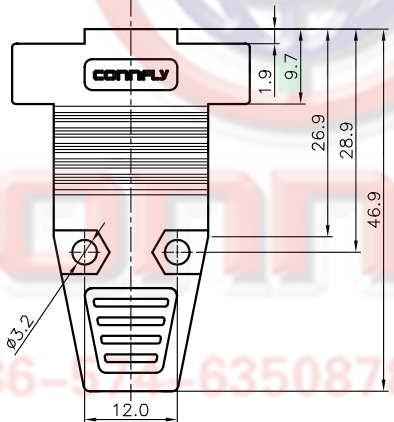
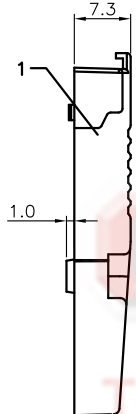
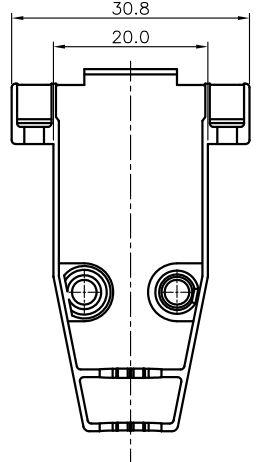
BOM LIST			
ITEM	PART NAME	Q'ty	NOTES
1	METAL HOOD	2	
2	LONG BOLT	2	
3	NUT	2	
4	SCREW-1	2	M3*12
5	WASHER	2	
6	SCREW-2	2	M3*6
7	SHORT BOLT	2	

REV.	DESCRIPTION	DRAWN	CHECKED	APPROVED
A	NEW RELEASE	LJC 03/02/07'		LJC 03/02/07'
B	ADD P/N CODE	YCH 12/07/13'		LJC 12/07/13'
C	DRAWING UPDATE	JLZ 11/24/18'		



NOTES:
 1. PART NUMBER CODE:
 DS1047 - 09 X X X - X - X

- LOGO Support
- X: W/O LOGO
- N/A Code: CONNELY LOGO
- Shell Plating
- N: Nickel
- Z: Zinc
- Bolt type
- L: Long
- S: Short
- Packing type
- 1: Mix packing
- 2: Separation packing
- Cover Material
- M: Metal(Zinc alloy)
- Positions
- 09: 9pin



GENERAL TOLERANCE		ANGLE TOLERANCE	
X.	±0.60	X.	±5°
.X	±0.38	.X	±3°
.XX	±0.25	.XX	±2°

DRAWING TYPE	CUSTOMER		
SCALE	1:1	SHEET	1 OF 1
DRAWING NO.	C-DS1047-09XXX-X-X-C		

PROJECTION		TITLE	D-SUB 9pin Metal Hood
UNITS	mm	SERIES	DS1047 SERIES
SHEET SIZE	A4		

晨翔电子有限公司
CONNELY CONNELY ELECTRONIC CO. LTD

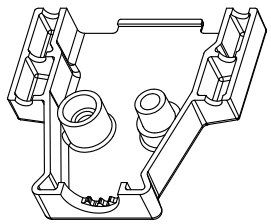
1 2 3 4 5 6 7 8

The information provided herein is from CONNELY Electronic Co., Ltd. and is confidential. Any disclosure to a party other than the recipient is prohibited. The intellectual properties and its rights contained herein, including but not limited to, trademarks, patents, copyrights, trade secrets, and technical know-how, are owned exclusively by CONNELY or its affiliates. Unauthorized use of this information in any format or manner. CONNELY may enforce its intellectual property rights at its own discretion; failures or delays to exercise such rights does not constitute a waiver of such rights.

1 2 3 4 5 6 7 8

Dept	
Qty	
DC	1
ED	1
IE	1
ISO	1
PD	1
R&D	1
SD	1
QA	1
QC	1
QE	1

REV.	DESCRIPTION	DRAWN	CHECKED	APPROVED
A	NEW RELEASE	LJC 03/02/07'		LJC 03/02/07'
B	ADD P/N CODE	YCH 12/07/13'		LJC 12/07/13'
C	DRAWING UPDATE	JLZ 11/24/18'		

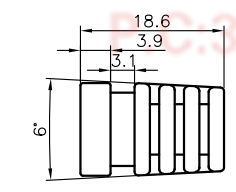
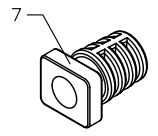
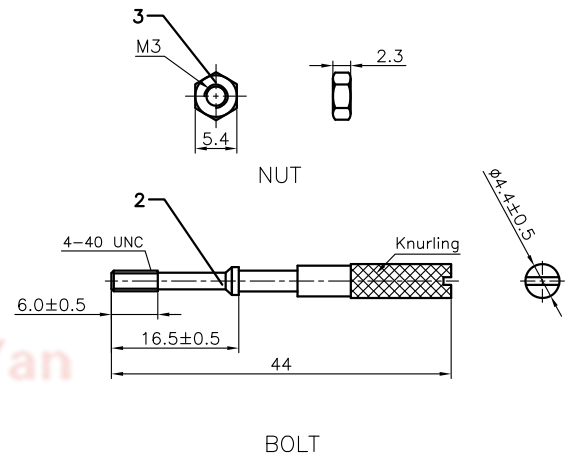
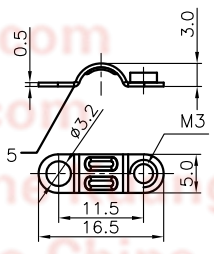
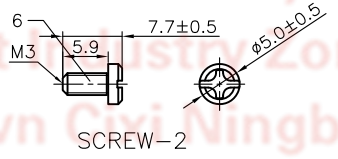
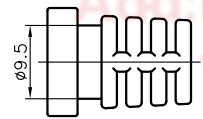
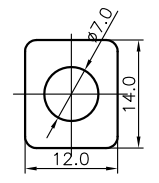
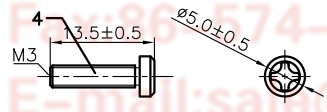
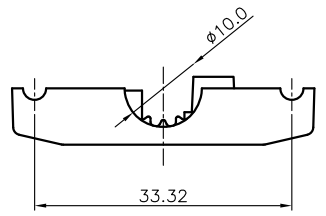
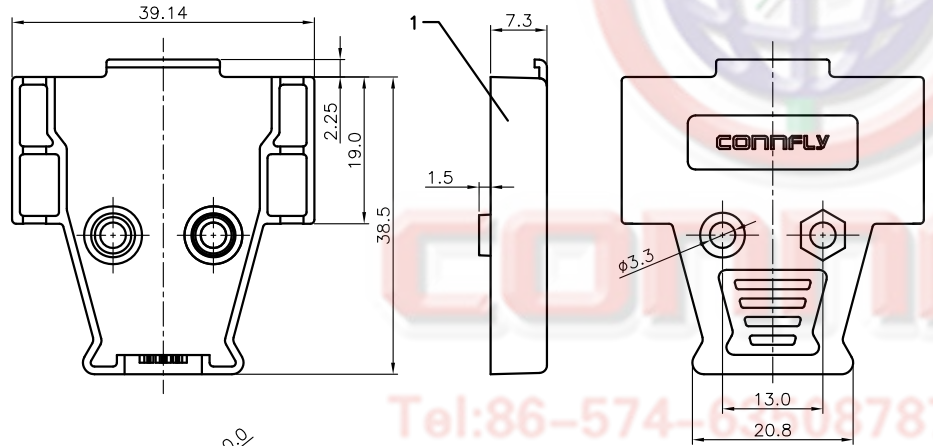


BOM LIST			
ITEM	PART NAME	Q'ty	NOTES
1	METAL HOOD	2	
2	BOLT	2	
3	NUT	2	
4	SCREW-1	2	M3*12
5	WASHER	2	
6	SCREW-2	2	M3*6
7	SR	1	

NOTES:

1. PART NUMBER CODE:
 DS1047 - 15 X X X - X - X

- LOGO Support
- X: W/O LOGO
- N/A: CONNELY LOGO
- Shell Plating
- N: Nickel
- Z: Zinc
- Bolt type
- L: Long
- Packing type
- 1: Mix packing
- 2: Separation packing
- Cover Material
- M: Metal(Zinc alloy)
- Positions
- 15: 15pin



GENERAL TOLERANCE		ANGLE TOLERANCE	
X.	± 0.60	X.	$\pm 5^\circ$
.X	± 0.38	.X	$\pm 3^\circ$
.XX	± 0.25	.XX	$\pm 2^\circ$

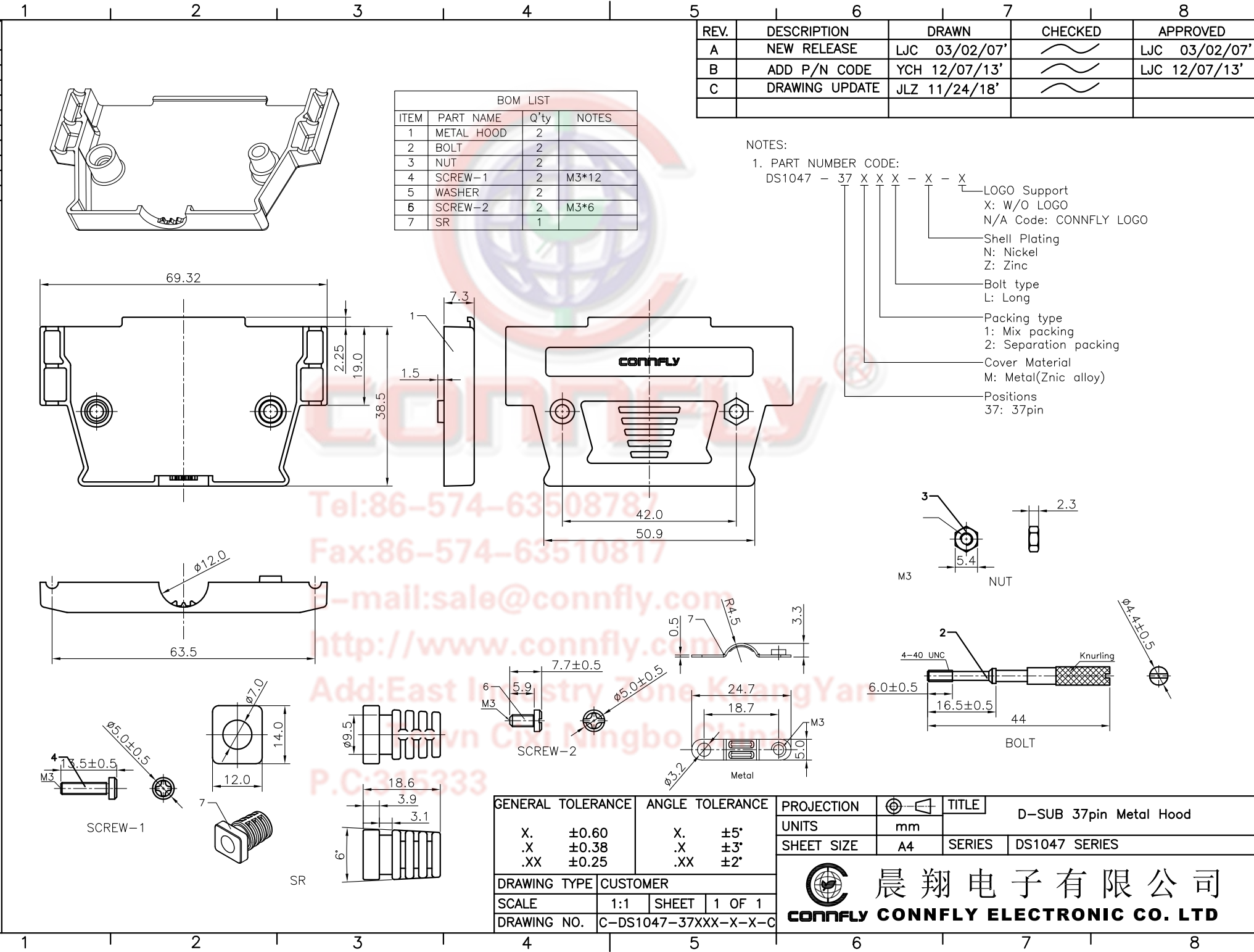
DRAWING TYPE	CUSTOMER
SCALE	1:1
DRAWING NO.	C-DS1047-15XXX-X-X-C

PROJECTION		TITLE	D-SUB 15pin Metal Hood
UNITS	mm	SHEET SIZE	A4
SHEET SIZE	A4	SERIES	DS1047 SERIES

晨翔电子有限公司
CONNELY CONNELY ELECTRONIC CO. LTD

1 2 3 4 5 6 7 8

The information provided herein is from CONNELY Electronic Co., Ltd. and is confidential. Any disclosure to a party other than the recipient is prohibited. The intellectual properties and its rights contained herein, including but not limited to, trademarks, patents, copyrights, trade secrets, and technical know-how, are owned exclusively by CONNELY or its affiliates. Unauthorized use of this information in any format or manner, CONNELY may enforce its intellectual property rights at its own discretion; failures or delays to exercise such rights does not constitute a waiver of such rights.



REV.	DESCRIPTION	DRAWN	CHECKED	APPROVED
A	NEW RELEASE	LJC 03/02/07'		LJC 03/02/07'
B	ADD P/N CODE	YCH 12/07/13'		LJC 12/07/13'
C	DRAWING UPDATE	JLZ 11/24/18'		

BOM LIST			
ITEM	PART NAME	Q'ty	NOTES
1	METAL HOOD	2	
2	BOLT	2	
3	NUT	2	
4	SCREW-1	2	M3*12
5	WASHER	2	
6	SCREW-2	2	M3*6
7	SR	1	

NOTES:
 1. PART NUMBER CODE:
 DS1047 - 37 X X X - X - X
 LOGO Support
 X: W/O LOGO
 N/A Code: CONNFLY LOGO
 Shell Plating
 N: Nickel
 Z: Zinc
 Bolt type
 L: Long
 Packing type
 1: Mix packing
 2: Separation packing
 Cover Material
 M: Metal(Znic alloy)
 Positions
 37: 37pin

GENERAL TOLERANCE		ANGLE TOLERANCE		PROJECTION	TITLE
X.	±0.60	X.	±5°		D-SUB 37pin Metal Hood
.X	±0.38	.X	±3°	mm	
.XX	±0.25	.XX	±2°	A4	SERIES DS1047 SERIES
DRAWING TYPE		CUSTOMER		晨翔电子有限公司 CONNFLY CONNFLY ELECTRONIC CO. LTD	
SCALE		1:1 SHEET 1 OF 1			
DRAWING NO.		C-DS1047-37XXX-X-X-C			