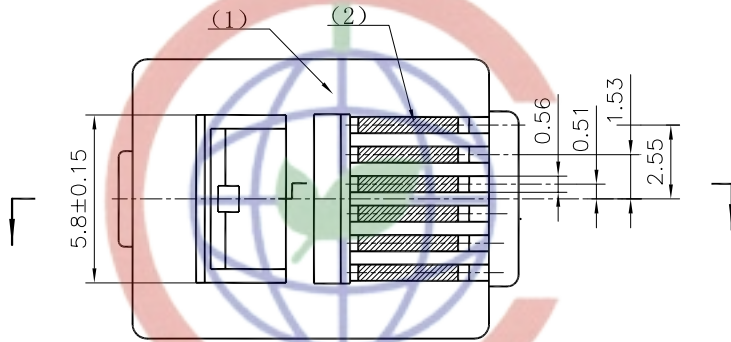


REV.	DESCRIPTION	DRAWN	CHECKED	APPROVED
A	NEW RELEASE	LJH 03/01/06'		

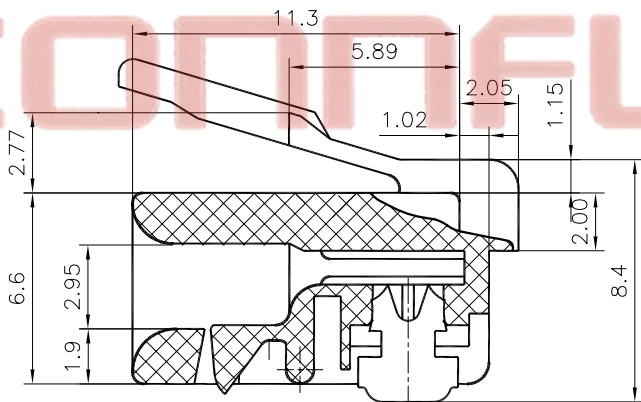


SPECIFICATION

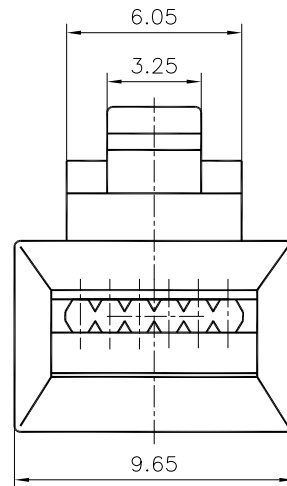
1. Insulation Resistance:1000MΩ Min.
2. Withstand Voltage:500V AC/Minute.
3. Durability:600 Cycles Min.
4. Contact resistance:50mΩ max.
5. Product Number Code:

DS1122 - X X X X

- Housing Color
T:Transparent
- Contact Plating
0:Gold Flash 15:15u''Au
3:3u''Au 30:30u''Au
6:6u''Au
- No.Of Contacts
6:6p6c
- Connector Type
P:Plug
- Series No.
DS1122



SECTION A-A



Tel: 86-574-63508787

Fax: 86-574-63510817

No.	PART NAME	Q'TY	MATERIAL	REMARK
(2)	BLADE	6	Copper alloy	GOLD PLATING
(1)	HOUSING	1	PC	UL94 V-0 OR 94 V-2

GENERAL TOLERANCE		ANGLE TOLERANCE	
X.	±0.60	X.	±5'
.X	±0.38	.X	±3'
.XX	±0.25	.XX	±2'

DRAWING TYPE	CUSTOMER		
SCALE	1:1	SHEET	1 OF 1
DRAWING NO.	C-DS1122-XXXX		

PROJECTION	TITLE
UNITS mm	RJ45 6P Plug
SHEET SIZE A4	SERIES DS1122 SERIES

晨翔电子有限公司
CONNFLY CONNFLY ELECTRONIC CO. LTD

<http://www.connfly.com.cn>
<http://www.connfly.com.cn>
 Add: West Garden Cxi Ningbo China
 P.C.:31521