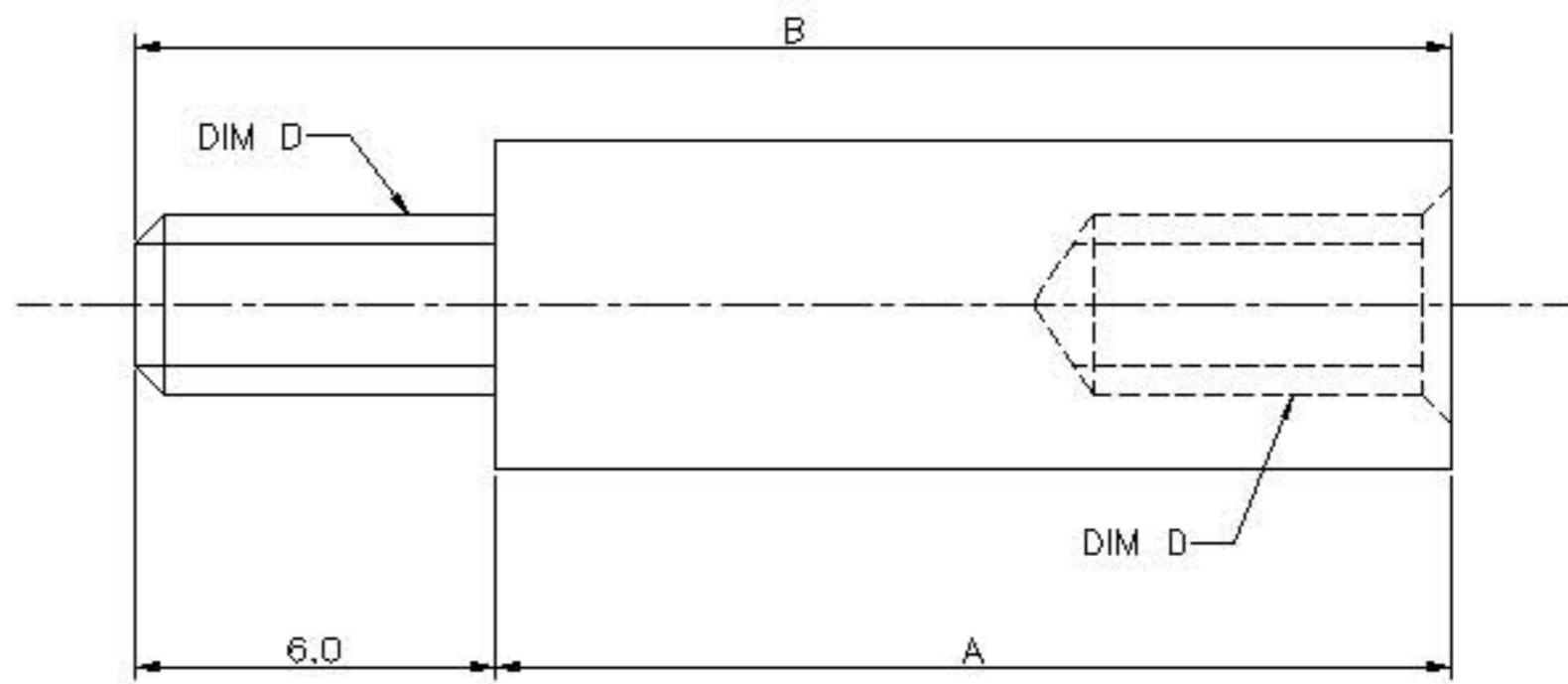
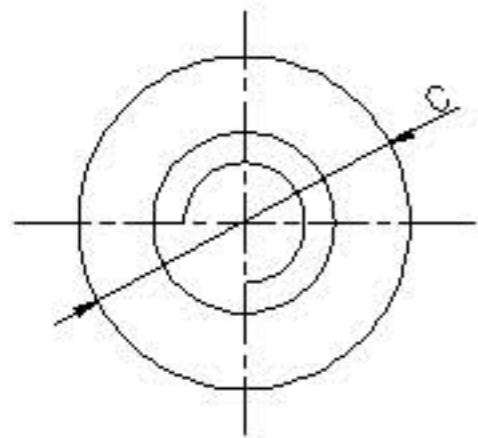


REV.	DESCRIPTION	DRAWN	CHECKED	APPROVED
A	NEW RELEASE	LJC 06/18/05'		



NOTES:

- 1.Materials: Copper alloy.
- 2:Plating: Nickel plating.
- 3:Part number code:

H - CXXXX - XXXX -5 -03 - 1N1W

- Thread type: DIM D  
03: M3.0
- DIM C:  
5:  $\phi 5.5\text{mm}$
- DIM B:  
1200: 12.0mm  
4600: 52.0mm
- DIM A:  
0600: 6.0mm  
4000: 40.0mm

GENERAL TOLERANCE		ANGLE TOLERANCE	
X.	$\pm 0.30$	X.	$\pm 2^\circ$
.X	$\pm 0.20$	.X	$\pm 1^\circ$
.XX	$\pm 0.15$	.XX	$\pm 0.5^\circ$
DRAWING TYPE		CUSTOMER DRAWING	
SCALE		1:1	SHEET 1 OF 1
DRAWING NO.		H-CXXXX-XXXX-5-03-1N1W	

PROJECTION	TITLE
	Screws
UNITS	mm
SHEET SIZE	A4
SERIES	Hardwares SERIES

晨翔电子有限公司  
**CONNFLY CONNFLY ELECTRONIC CO. LTD**