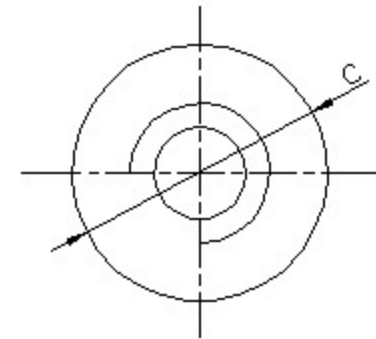
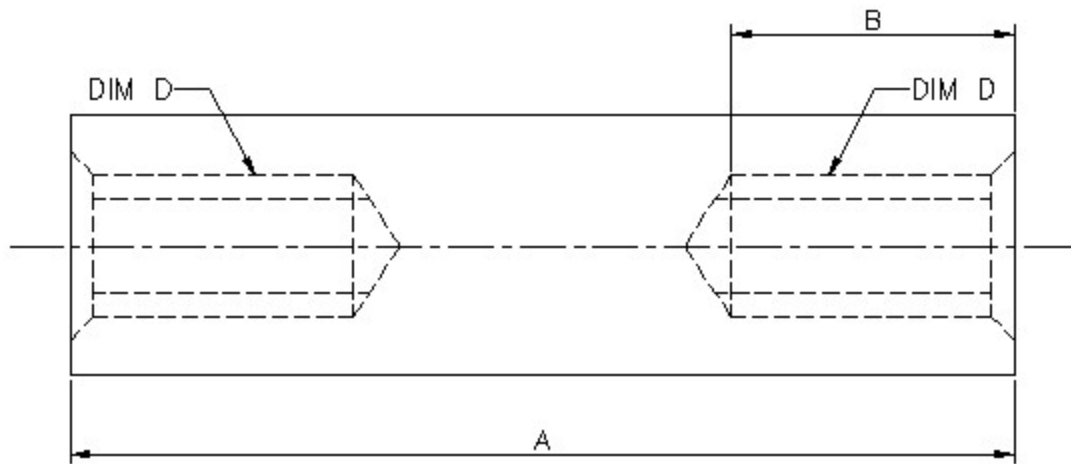


REV.	DESCRIPTION	DRAWN	CHECKED	APPROVED
A	NEW RELEASE	LJC 06/18/05'		



NOTES:

- 1.Materials: Copper alloy.
- 2:Plating: Nickel plating.
- 3:Part number code:

H - CXXXX - XXXX -5 -03 - 2N

Thread type: DIM D
03: M3.0

DIM C:
5: ϕ 5.5mm

DIM B:
0800: 8.0mm

DIM A:
0600: 6.0mm
4000: 40.0mm

GENERAL TOLERANCE		ANGLE TOLERANCE	
X.	± 0.30	X.	$\pm 2'$
.X	± 0.20	.X	$\pm 1'$
.XX	± 0.15	.XX	$\pm 0.5'$

PROJECTION	TITLE	Screws	
UNITS	mm		
SHEET SIZE	A4	SERIES	HardwareS SERIES

DRAWING TYPE	CUSTOMER DRAWING		
SCALE	1:1	SHEET	1 OF 1
DRAWING NO.	H-CXXXX-XXXX-5-03-2N		

 晨翔电子有限公司
CONNFLY CONNFLY ELECTRONIC CO. LTD