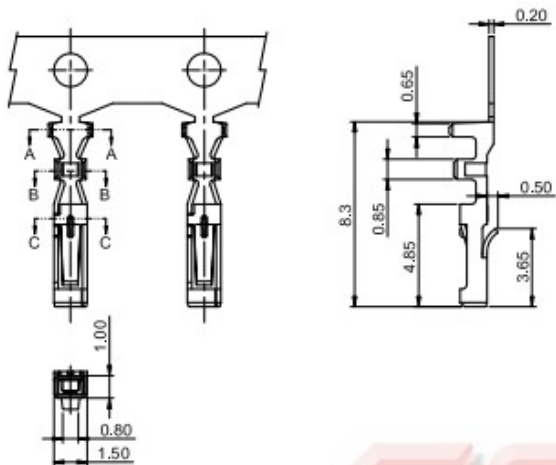
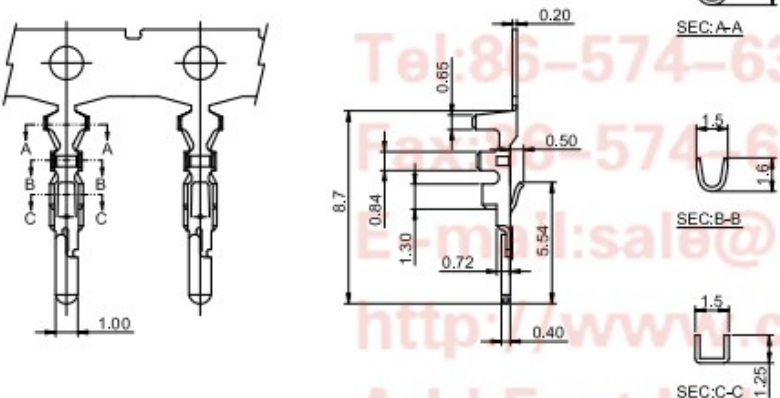


Female Terminal



Male Terminal



| REV. | DESCRIPTION | DRAWN | CHECKED | APPROVED |
|------|-------------|-------|---------|----------|
| A    |             |       |         |          |
|      |             |       |         |          |
|      |             |       |         |          |

NOTES:

1. MAIN SPECIFICATIONS

- . Terminal material: Copper alloy
- . Rated voltage: 125V
- . Rated current: 1A
- . Contact resistance:  $\leq 30m\Omega$
- . Insulation resistance:  $\geq 1000M\Omega$
- . Withstanding voltage: 500V, AC 1 minute
- . Temperature range:  $-25 \sim +85^{\circ}C$
- . Wire range: 24~28 AWG

2. PRODUCT NUMBER CODE:

T - DS1066- X C X 0 0

- Plating type  
6: Tin  
8: Gold flash
- Mounting type  
C: Crimp
- Terminal type  
P: Male  
S: Female

**CONNFLY**

Tel: 86-574-63508787  
 Fax: 86-574-63510817  
 E-mail: sales@connfly.com  
 http://www.connfly.com  
 Add: East Industry Zone KuangYan  
 Town Cixi Ningbo City  
 P.C: 315333

| GENERAL TOLERANCE |            | ANGLE TOLERANCE |                 |
|-------------------|------------|-----------------|-----------------|
| X.                | $\pm 0.60$ | X.              | $\pm 5^{\circ}$ |
| .X                | $\pm 0.38$ | .X              | $\pm 3^{\circ}$ |
| .XX               | $\pm 0.25$ | .XX             | $\pm 2^{\circ}$ |

| PROJECTION | TITLE                              |
|------------|------------------------------------|
|            | 2.00mm Wire To Wire Connector Type |
| UNITS      | mm                                 |
| SHEET SIZE | A4                                 |
| SERIES     | DS1066- SERIES                     |

| DRAWING TYPE | CUSTOMR          |
|--------------|------------------|
| SCALE        | 1:1 SHEET 2 OF 2 |
| DRAWING NO.  | DS1066-XXXX-A    |

晨翔电子有限公司  
**CONNFLY CONNFLY ELECTRONIC CO. LTD**