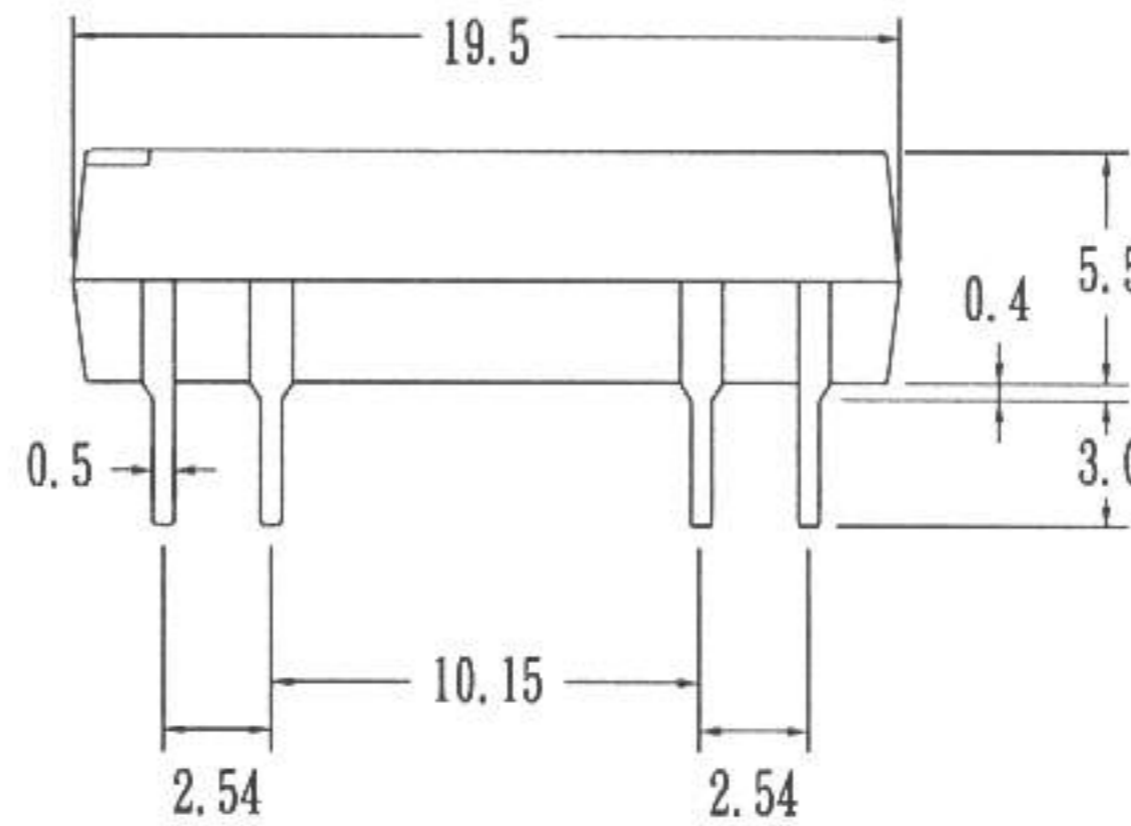
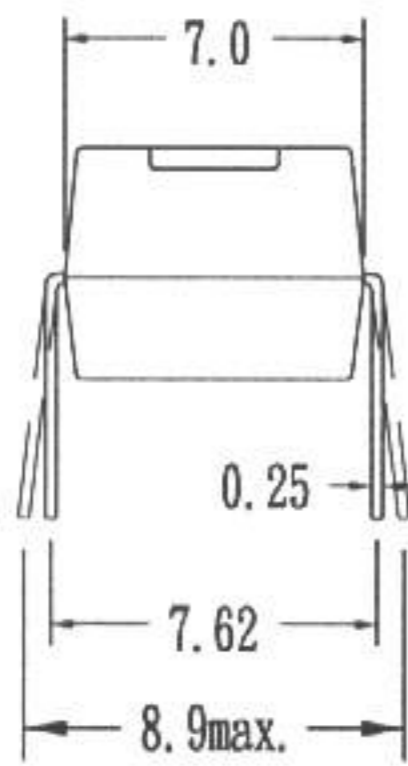


# PRODUCT SPECIFICATION

DATE: 03/26/00'

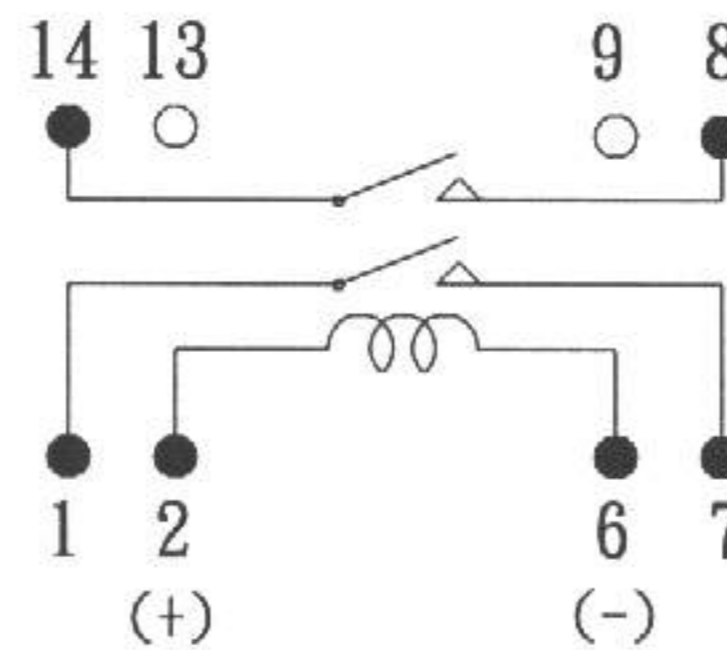
<b>COSMO</b> ELECTRONICS CORPORATION	REED RELAY: <b>D2A120000</b>	NO. 50R01014	REV.
		SHEET 1 OF 2	2

## 1. OUTSIDE DIMENSION : UNIT ( mm )



TOLERANCE :  $\pm 0.1\text{mm}$

## 2. SCHEMATIC : TOP VIEW



ISSUE <i>Dean. Yu.</i> 03-28-00	CHECK <i>Alan Lui 03-29-00</i>	APPROVED <i>Stan Hsu 4-1-00</i>
---------------------------------------	-----------------------------------	------------------------------------

# PRODUCT SPECIFICATION

DATE: 03/26/00'

<b>COSMO</b> ELECTRONICS CORPORATION	REED RELAY: <b>D2A120000</b>	NO. 50R01014 SHEET 2 OF 2	REV. 2
---	---------------------------------	------------------------------	-----------

3.0 COIL RATINGS: (AT 20°C)

3.1 Coil resistance	500	Ω	(±10%)
3.2 Nominal coil current	12	VDC	
3.3 Maximun Continuous voltage	20	VDC	
3.4 Must operate	9	VDC	
3.5 Must release	1.2	VDC	
3.6 Rated current	24	mA	

4.0 ELECTRONICAL CHARACTERISTICS:

4.1 Contact resistance	100	mΩ	(max)
4.2 Operate time	0.5	ms	(max)
4.3 Bounce time	0.5	ms	(max)
4.4 Release time	0.2	ms	(max)
4.5 Insulation resistance (100 VDC open contact)	10 <sup>11</sup>	Ω	(min)
4.6 Power	10	VA	(max)
4.7 Switching voltage	200	VDC	(max)
4.8 Switching current	0.5	A	(max)
4.9 Carry current	1.0	A	(max)
4.10 Breakdown voltage (across open contact)	250	VDC	(min)
(between coil & contact)	500	VDC	(min)
4.11 Life expectancy (signal level)	10 <sup>8</sup>		
4.12 Operating temp	-40 to 85°C		
4.13 Storage temp	-50 to 125°C		
4.14 Resonant frequency	3.5	KHZ	
4.15 Vibration (10-2000HZ)	20	g	(max)
4.16 Minimum permissible load	100	mVDC	10uA

ISSUE <i>Dean. Yu.</i> <i>03-28-'00</i>	CHECK <i>Alan Liu 03-29-'00</i>	APPROVED <i>Stan Hay 4-1-00</i>
---	------------------------------------	------------------------------------