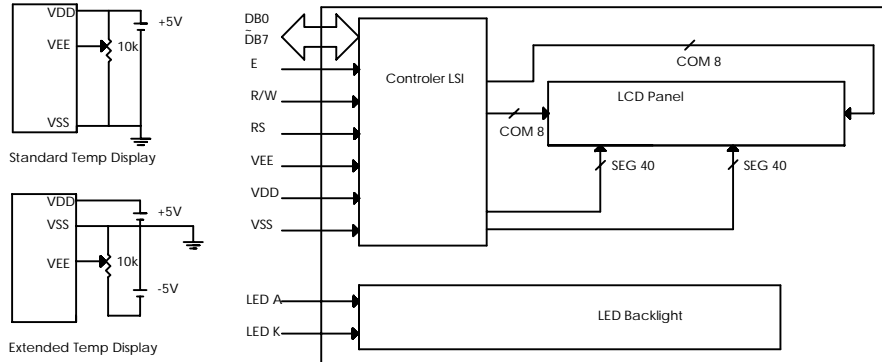


THIS DOCUMENT CONTAINS CONFIDENTIAL AND PROPRIETARY INFORMATION OF THREE-FIVE SYSTEMS, INC. AND NEITHER IT NOR THE INFORMATION CONTAINED THEREIN SHALL BE DISCLOSED TO OTHERS OR DUPLICATED OR USED FOR OTHERS WITHOUT THE EXPRESS WRITTEN CONSENT OF THREE-FIVE SYSTEMS, INC.

REVISIONS

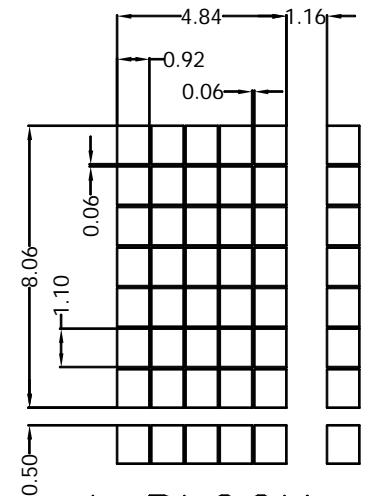
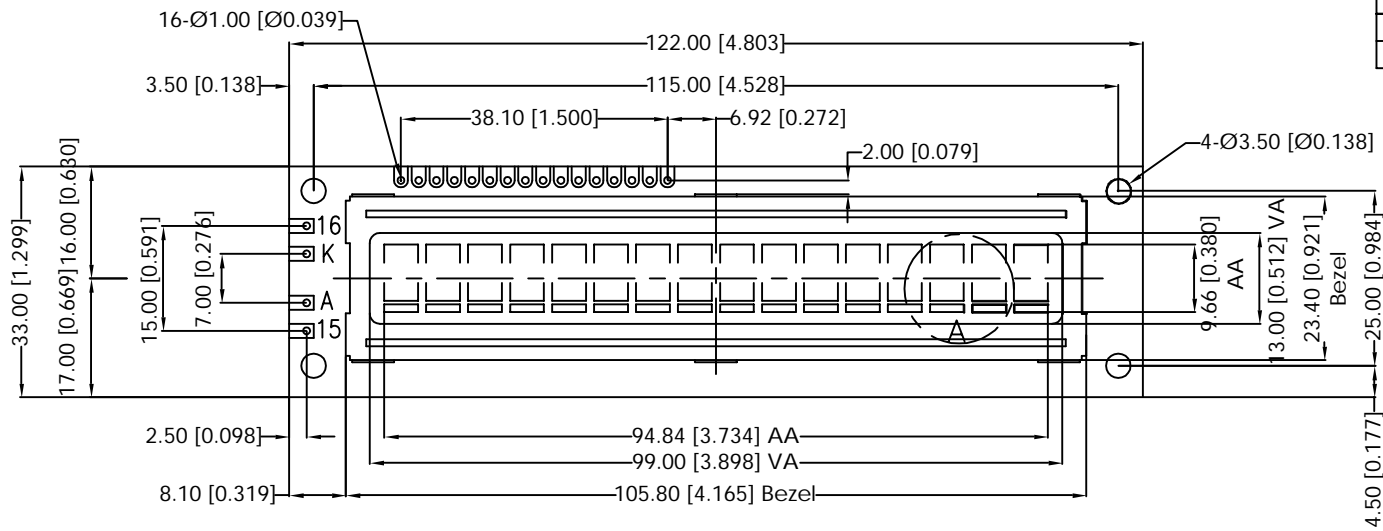
REV	DESCRIPTION	CHG. #	DATE	BY/APPD
A	LCM Mechanical Drawing	0	7/11/03	MT

Block Diagram

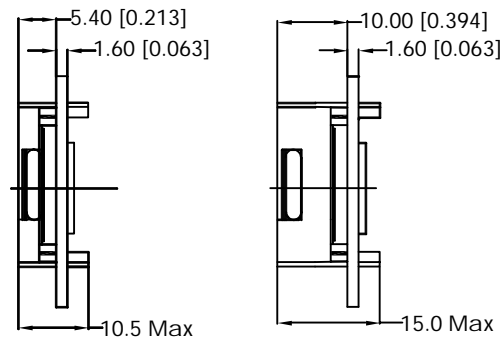


Pin Description

Pin	Symbol	Signal Description
1	VSS	Logic Ground (0V)
2	VDD	Power Supply (5V)
3	VEE	LCD Drive Voltage
4	RS	Register Select High = Data Low = Instruction
5	R/W	Data Read/Write Selection High = LCM to MPU Low = MPU to LCM
6	E	Data Read/Write Enable R/W = Low: Data write at falling edge of E R/W = High: Data read at falling edge of E
7-14	DB0-DB7	Data Bus 4 or 8 bit parallel, software selectable
15	LED A	LED power supply
16	LED K	LED power supply



A BLOCK



Reflective, EL Version

LED Version

Mechanical Data

Parameter	Dimensions	Units
Module Size (W x H x T)	120.0 x 33.0 x 10.5*	mm
View Area	99.0 x 13.0	mm
Character Size	9.66 x 4.84	mm
Dot Size	1.10 x 0.92	mm

\* reflective version

UNLESS OTHERWISE SPECIFIED DIMENSIONS ARE IN MILLIMETERS. TOLERANCES ARE:

X	±	0.3
.XX	±	0.13
.XXX	±	0.051
ANGLES	±	0.5°

TOP LEVEL BOM

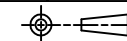
NEXT HIGHER ASSY DWG

DO NOT SCALE DRAWING

APPROVALS

DATE
7/11/03
APPROVED BY ENG
APPROVED BY MFG
APPROVED BY QA

THIRD ANGLE PROJECTION



THREE-FIVE SYSTEMS, INC.  
1400 N. DESERT DRIVE, TEMPE, AZ 85281-1230

16110

SCALE	SIZE	DRAWING NUMBER	REV
	C	XXXXXX	A

FORMERLY:

SHEET 1 OF 1