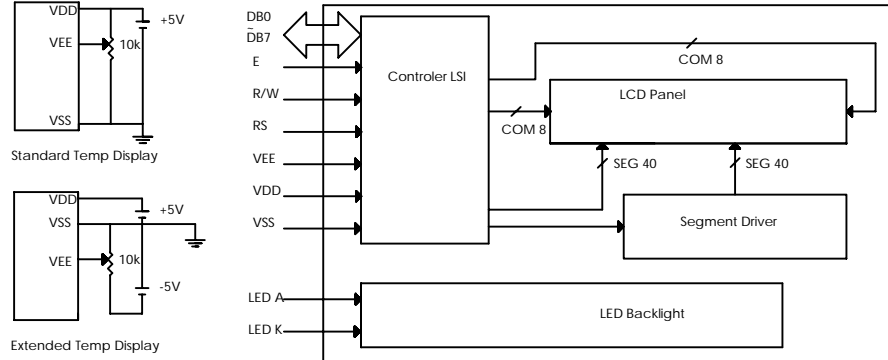


THIS DOCUMENT CONTAINS CONFIDENTIAL AND PROPRIETARY INFORMATION OF THREE-FIVE SYSTEMS, INC. AND NEITHER IT NOR THE INFORMATION CONTAINED THEREIN SHALL BE DISCLOSED TO OTHERS OR DUPLICATED OR USED FOR OTHERS WITHOUT THE EXPRESS WRITTEN CONSENT OF THREE-FIVE SYSTEMS, INC.

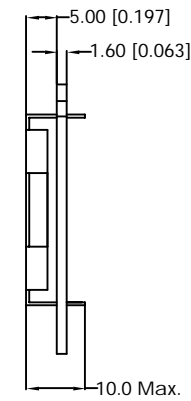
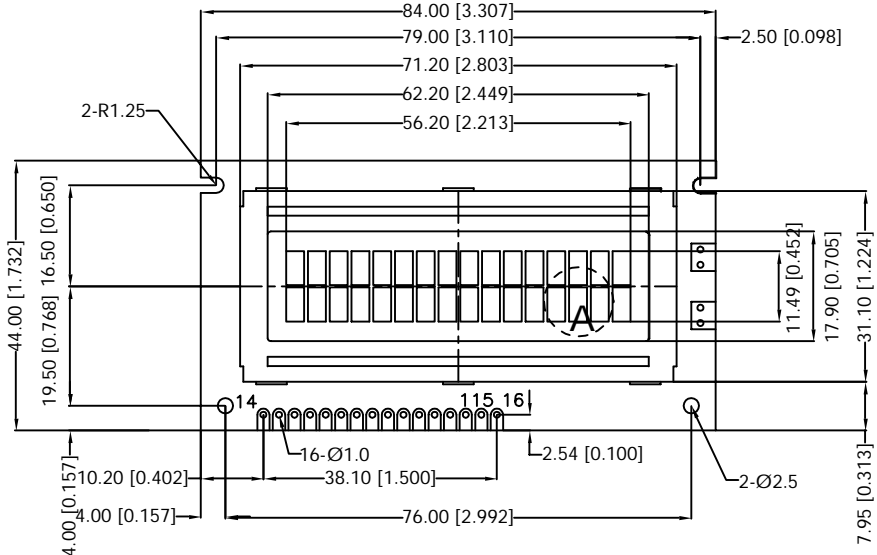
REVISIONS				
REV	DESCRIPTION	CHG. #	DATE	BY/APPD
A	LCM Mechanical Drawing	0	7/11/03	MT

Block Diagram

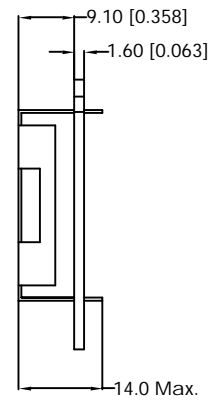


Pin Description

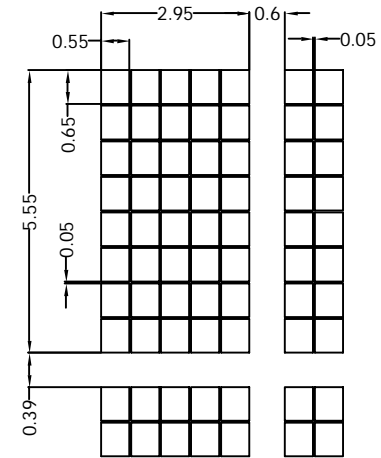
Pin	Symbol	Signal Description
1	VSS	Logic Ground (0V)
2	VDD	Power Supply (5V)
3	VEE	LCD Drive Voltage
4	RS	Register Select High = Data Low = Instruction
5	R/W	Data Read/Write Selection High = LCM to MPU Low = MPU to LCM
6	E	Data Read/Write Enable R/W = Low: Data write at falling edge of E R/W = High: Data read at falling edge of E
7-14	DB0-DB7	Data Bus 4 or 8 bit parallel, software selectable
15	LED A	LED power supply
16	LED K	LED power supply



Reflective & EL



LED backlight



A BLOCK

Mechanical Data

Parameter	Dimensions	Units
Module Size (W x H x T)	84.00 x 44.00 x 10.00*	mm
View Area	62.20 x 17.90	mm
Character Size	5.55 x 2.95	mm
Dot Size	0.65 x 0.55	mm

* reflective version

UNLESS OTHERWISE SPECIFIED DIMENSIONS ARE IN MILLIMETERS. TOLERANCES ARE: .X ± 0.3 .XX ± 0.13 .XXX ± 0.051 ANGLES ± 0.5°	APPROVALS	DATE	THREE-FIVE SYSTEMS, INC. 1400 N. DESERT DRIVE, TEMPE, AZ 85281-1220								
	DRAWN	MT		7/11/03							
	DTG CHK										
	APPROVED BY ENG										
TOP LEVEL BOM	APPROVED BY MFG		<h1>16244</h1>								
NEXT HIGHER ASSY DWG	APPROVED BY QA										
THIRD ANGLE PROJECTION											
DO NOT SCALE DRAWING			<table border="1"> <tr> <td>SCALE</td> <td>SIZE</td> <td>DRAWING NUMBER</td> <td>REV</td> </tr> <tr> <td></td> <td>C</td> <td>XXXXXX</td> <td>A</td> </tr> </table>	SCALE	SIZE	DRAWING NUMBER	REV		C	XXXXXX	A
SCALE	SIZE	DRAWING NUMBER	REV								
	C	XXXXXX	A								