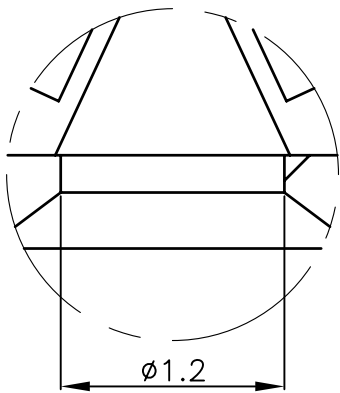
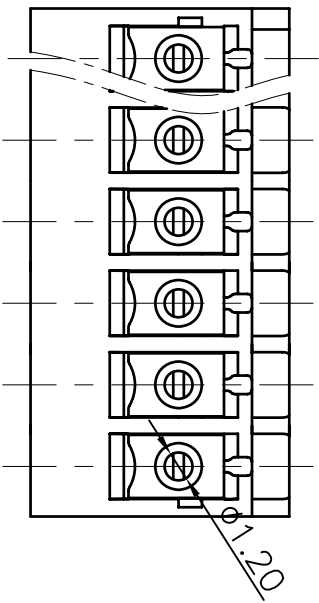
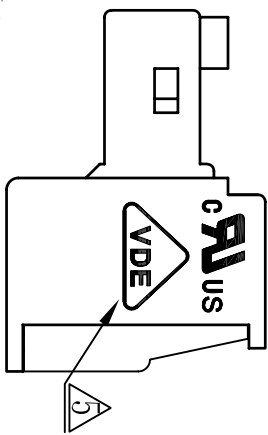
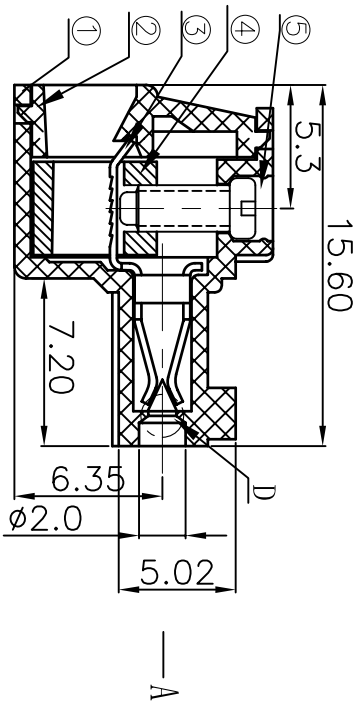
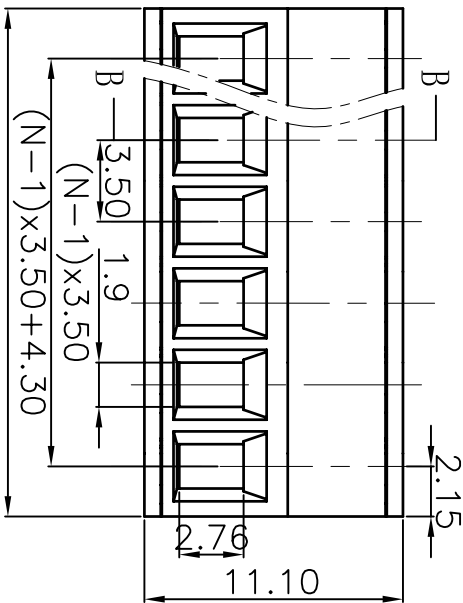


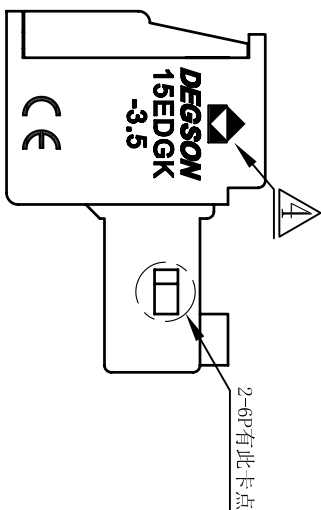
REVISION RECORD			
REV	ECO	DESCRIPTION	DRFT DATE
Δ		Drawing amend	WF 04/06/06*
Δ		Drawing amend	YeJ 10/17/06*
Δ		去掉H中的小“R”字	CSX 09/12/07*
Δ		增加CE刻字并修改刻字	ZengY 06/24/08*
Δ		增加D列刻字	ZengY 12/26/08*



D 局部放大 (8:1)



VIEW-A



VIEW-B

- Notes:
1. Pitch: 3.5mm Poles: 2-24P
  2. Rated voltage/current: UL 300V/8A VDE 250V/7A
  3. Operation temperatures: -40°C~+105°C
  4. Withstanding Voltage: AC2000V/1Min
  5. Insulation Resistance: 5000MΩ/DC1000V
  6. Wire Range: 28~16AWG, 0.5~1.5mm<sup>2</sup>
  7. Max. Torque Value: M2.0, 2.04kgf.cm
  8. Undimensioned Tolerances:

Pitch range in mm	Nominal dimension range in mm					
	over 6 to 10	over 10 to 24	over 30 to 60	over 60 to 100	over 100 to 150	over 150 to 200
±0.10	±0.15	±0.25	±0.2	±0.3	±0.5	±0.7
						±1
						0.05/10

ITEM	DESCRIPTION	UNIT	REMARKS
5	15EDG M2"-Screws	XX	Steel
4	15EDG Brass cage	XX	Brass
3	15EDG Clamp	XX	Phospor Bronze
2	15EDGK-3.5-Cover	1	PA66

DETACHED LISTS			
ITEM	NAME OF PART	NO. OF PART	Q"TY MATERIAL NOTES
1	15EDGK-3.5-Housing	1	PA66 UL94V-0
DEGSON 宁波高正电子有限公司 DEGSON® DEGSON ELECTRONICS CO., LTD			
DRAWING NO. 15EDGK-3.5-E06		SIZE REV 15	
/PART NO.		A3 12/26/05	
DO NOT SCALE DRAWING		SHEET 1 OF 1	