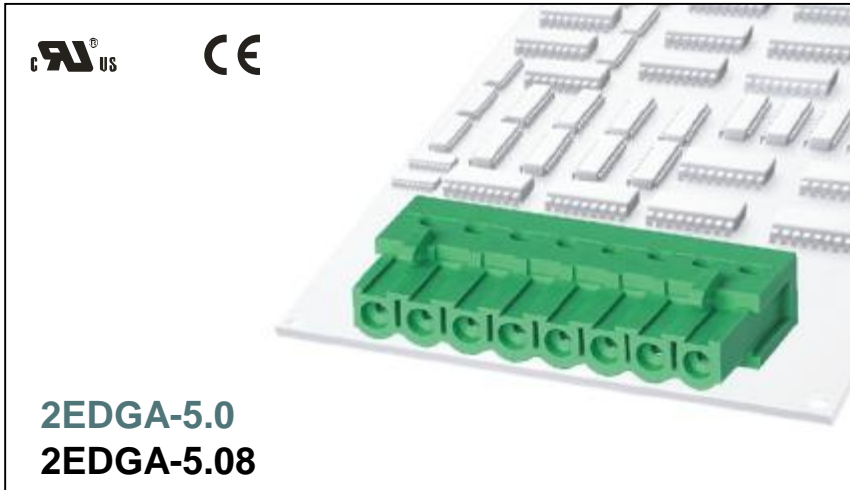


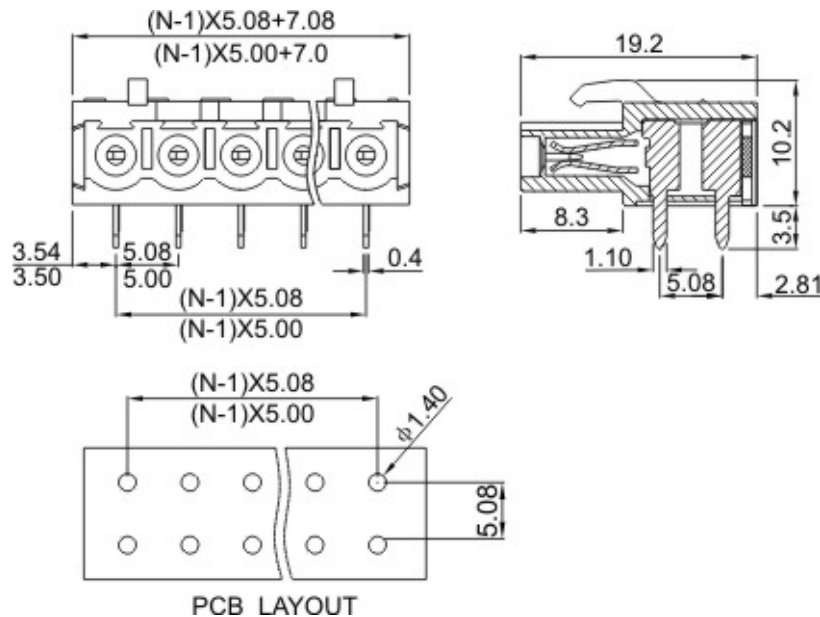


# DEGSON ELECTRONICS CO., LTD.

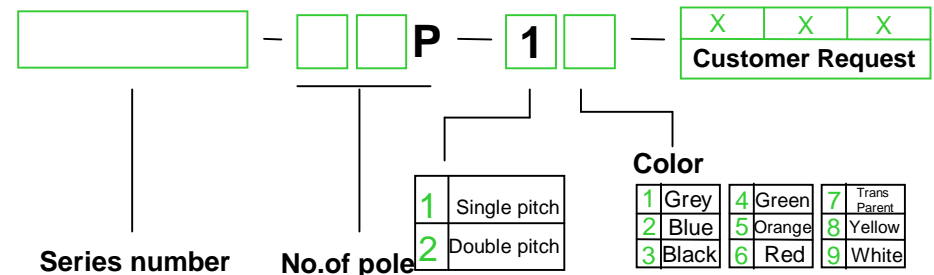
## Product Specification



<b>APPROVAL</b>		
<b>Electrical</b>	<b>UL</b>	<b>IEC</b>
Standard	300V	320V
Rated voltage	15A	20A
Rated current	AC2500V/1Min	
Withstanding voltage		
<b>Mechanical</b>		
Ambient temperature	-40°C~+105 °C	
<b>Dimensions</b>		
Pitch	5.0mm(.197) 5.08mm(.200")	
Poles	2P-24P	
<b>Material</b>		
Housing	PA66,UL94 V-0	
Contact	Phosphor bronze,Tin plated	



### HOW TO ORDER :



	<b>DEGSON ELECTRONICS CO., LTD.</b>
	<b>NAME</b> <b>2EDGA-5.0 2EDGA-5.08</b>