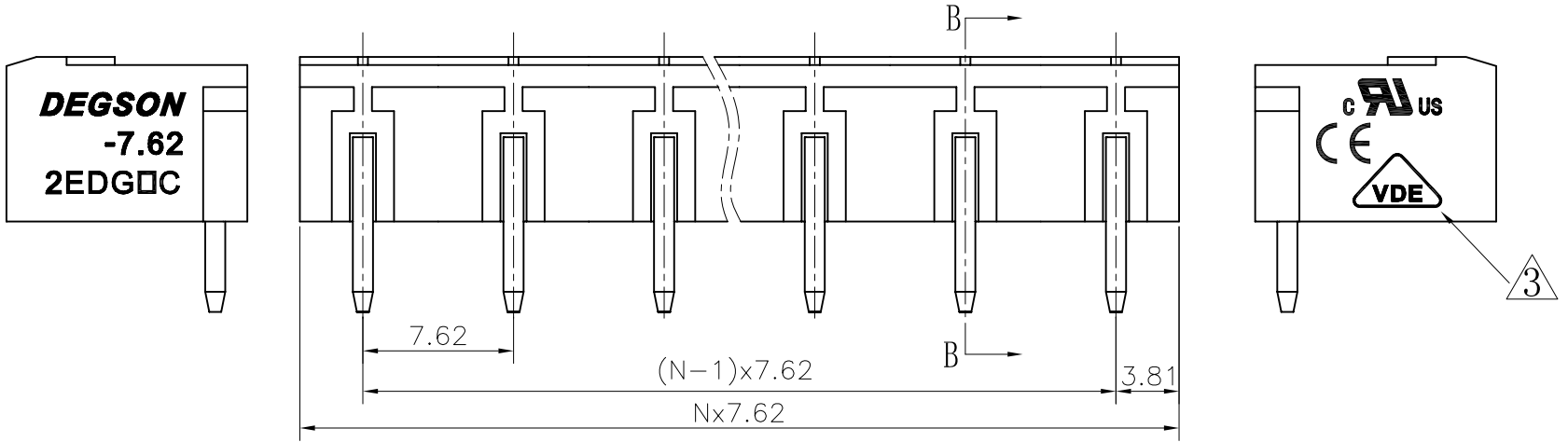
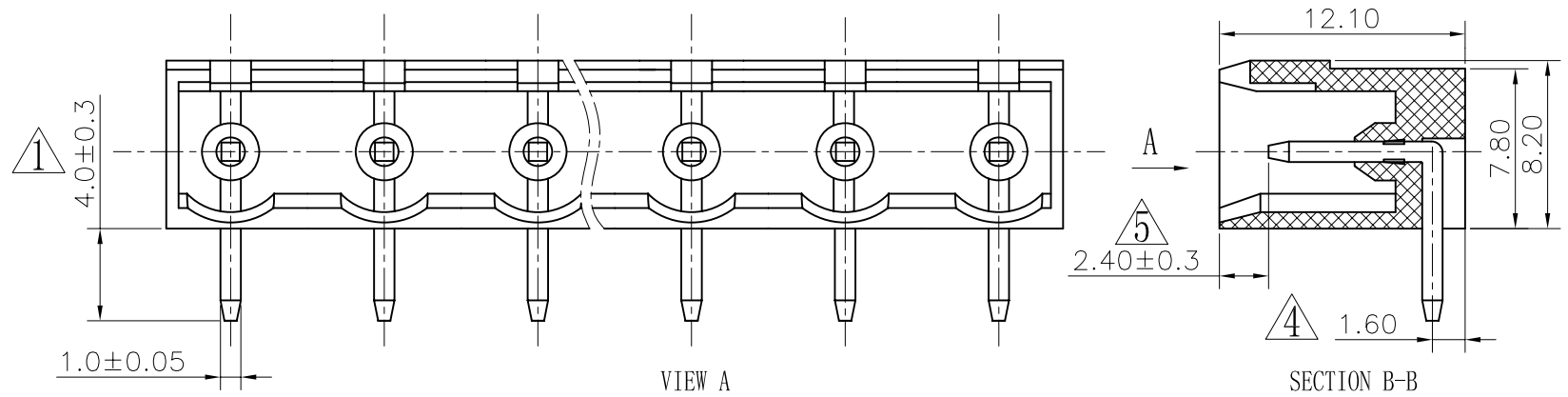


REVISION RECORD				
REV	ECO	DESCRIPTION	DRFT	DATE
△1		4.5±0.1变更到4.0±0.3	DZJ	06/14/05
△2		图画更新	C SX	04/25/06
△3		增加VDE、CE标志	Ye j	02/27/08
△4		更新图画	LJH	04/16/08
△10-0329		增加标注尺寸	COCO	10/05/10



- Notes:
1. Pitch:7.62mm , Poles:2-24P
 2. Rated voltage/current:UL 300V/15A
VDE 400V/20A
 3. Operation temperatures:-40℃~+105℃
 4. Withstanding Voltage:AC2000V/1min
 5. Insulation Resistance:5000MΩ/DC1000V
 6. Undimensioned Tolerances:

Pitch range in mm			Nominal dimension range in mm					
to	over	over	to	over	over	over	over	
6	6	10	30	30	60	100	150	
to 6	to 10	to 24	to 30	to 60	to 100	to 150		∩
								□
±0.10	±0.15	±0.25	±0.2	±0.3	±0.5	±0.7	±1.0	0.05/10

2	2EDGR Pin header	1008B00040 (H)	XX	Brass	SnCe
1	2EDGRC-7.62-Housing	1023A0YXXA (H)	1	PA66	UL94V-0
ITEM	NAME OF PART	NO. OF PART	Q'TY	MATERIAL	NOTES
	MM (INCH)	DFTO Zhuwm	DATE 08/02/04	宁波高正电子有限公司 DEGSON ELECTRONICS CO., LTD	
	TOLERANCES EXCEPT AS NOTED	CHKD	DATE		
		MFO	DATE		
		APPVL	DATE		
	MM	MATERIAL :		NAME	
	.00 ±			2EDGRC-7.62-XXP-1Y-00A(H)	
	.000 ±			DRAWING NO. 2EDGRC-7.62-E01	
	ANGLES ± 1°	G.E :		SIZE	REV
		FINISH :		A3	T5
	THIRD ANGLE PROJECTION	SCALE : 1:1		10/05/10	
		DO NOT SCALE DRAWING		SHEET 1	OF 1