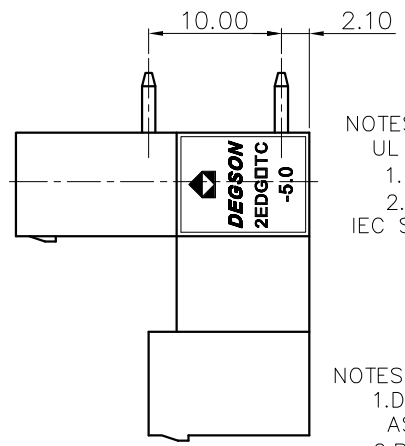
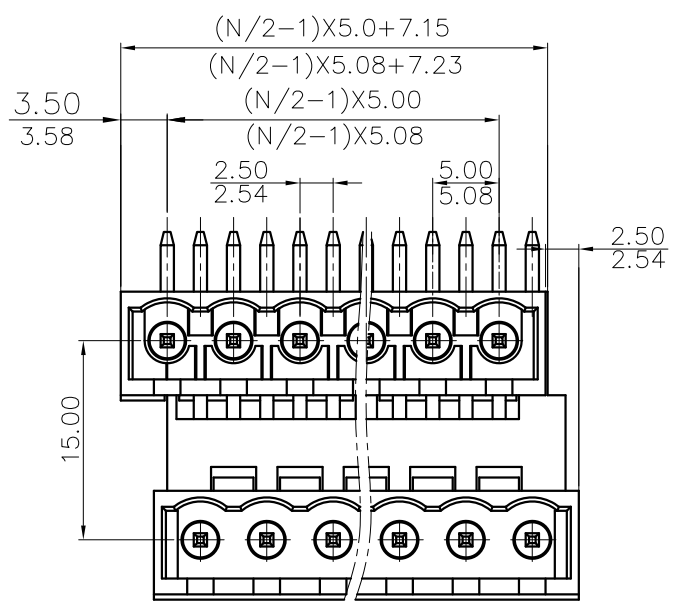
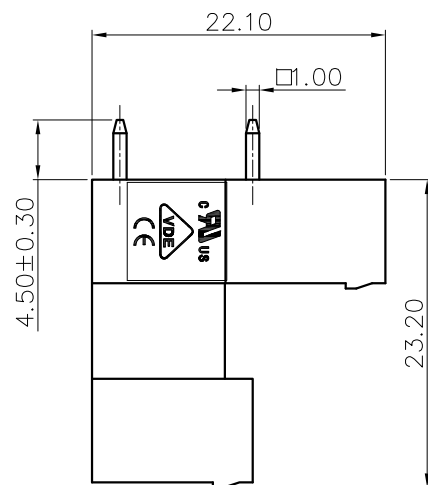


REVISION RECORD				
REV	ECN	DESCRIPTION	DRFT	DATE



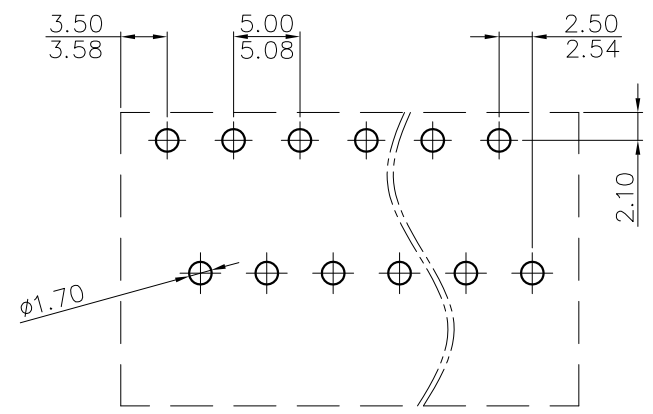
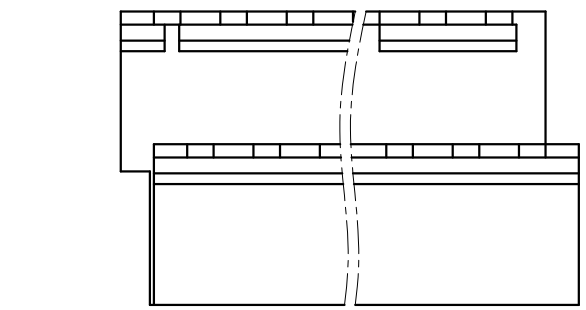
NOTES1:
 UL Standard
 1.Rated voltage/current : 300V / 15A
 2.Withstanding voltage : AC1600V/1Min.
 IEC Standard

Pollution degree	2
Overtoltage category	III
Rate impulse voltage(KV)	4.0KV
Rate voltage(V)	320V
Rate current(A)	10A

NOTES2:
 1.Dimension shall be interpreted per ASME Y14.5-2009
 2.Pitch : 5.0/5.08mm, Poles : N=4~48P
 3.Operating temperature:-40°C~+105°C
 4.Undimensioned tolerances:

Pitch range in mm		Nominal dimension range in mm				0.1/10
TO	6	TO	30	TO	150	
6	10	10	24	30	60	100
±0.15	±0.20	±0.30	±0.30	±0.50	±0.70	±1.00
						±1.30
						±2'

5.RoHS Compliance



2EDGRTC - 5.0/5.08 - XXP - 1Y - 00A (H)
 (Series No.) (Pitch) (Poles) (Single Pitch) Color:1.(Grey)
 2.(Blue)
 3.(Black)
 4.(Green)
 5.(Orange)
 6.(Red)
 7.(Transparent)
 8.(Yellow)
 9.(White)

DETACHED LISTS	PART NO.:	/			
	APPD:	/			
	CHKD:	/			
	DRFT:	/			
		THIRD ANGLE PROJECTION			
		DRAWING NO.: /		SHEET 1/1	
		DO NOT SCALE DRAWING		SCALE 1:1	

宁波高松电子有限公司
 NINGBO DEGSON ELECTRICAL CO., LTD

NAME: 2EDGRTC-5.0/5.08-XXP-1Y-00A(H)

TITLE: CUSTOMER DRAWING

REV: / DO: /

MM (INCH) SCALE 1:1