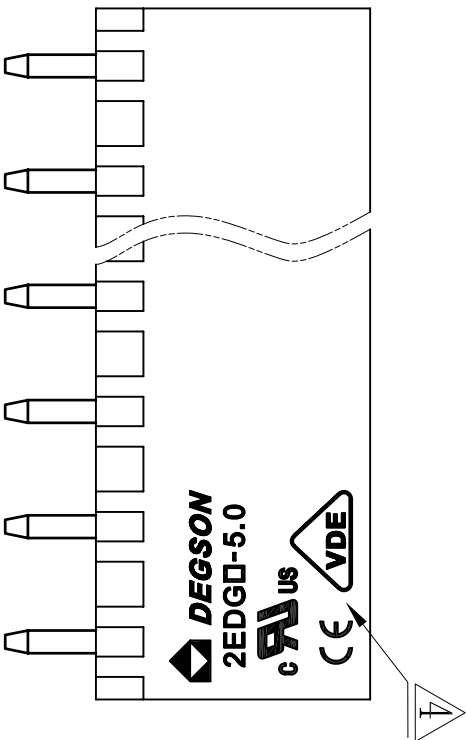
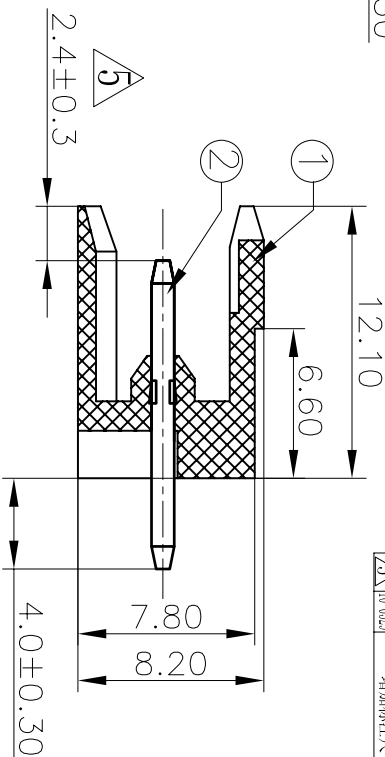
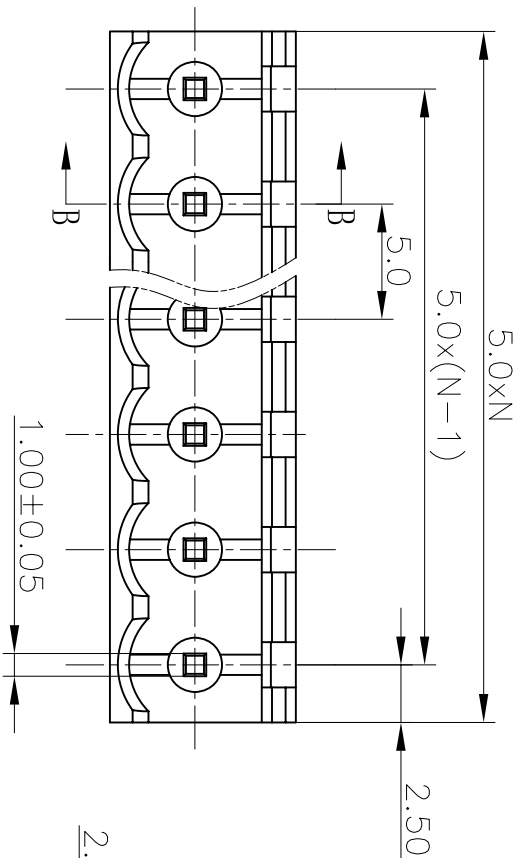


REVISION RECORD

REV	ECO	DESCRIPTION	DRFT	DATE
1		图面更新	C SX	04/14/06
2		增加VDE、CE刻字	Ye J	02/29/08*
3		增加自动化方针	WLM	09/23/08*
4		修改刻字位置	WLM	12/12/08*
5		增加标注尺寸	COOO	10/06/10*



Notes:

1. Pitch:5.0mm, Poles:2-24P
2. Rated voltage/current:UL 300V/15A
VDE 320V/20A
3. Operation temperatures:-40° C~+105° C
4. Withstanding voltage: AC2000V/1Min
5. Insulation resistance:5000MΩ/DC1000V
6. Undimensioned Tolerances:

Pitch range in mm	Nominal dimension in mm	over 6 to 10	over 10 to 24	over 30 to 60	over 60 to 100	over 100 to 150	over 150 to
±0.10 to	±0.15 to	±0.25 to	±0.2 to	±0.3 to	±0.5 to	±0.7 to	±1.0
							0.05/10

ITEM	NAME OF PART	NO. OF PART	Q'TY	MATERIAL	NOTES
2	2EDGV-Pin header	1007B00010 (H)	XX	Brass	Automatic assembly
2	2EDGV-Pin header	1007B00030 (H)	XX	Brass	Manual assembly
1	2EDGV-5.0-00A (H) Housing	1018A01XXA (H)	1	PA66	UL94V-0

DATE	DATE	DATE	DATE	DATE	DATE
07/18/05*					

DATE	DATE	DATE	DATE	DATE	DATE

FINISH:	SCALE:	DO NOT SCALE DRAWING	SHEET	OF
	1:1		1	1