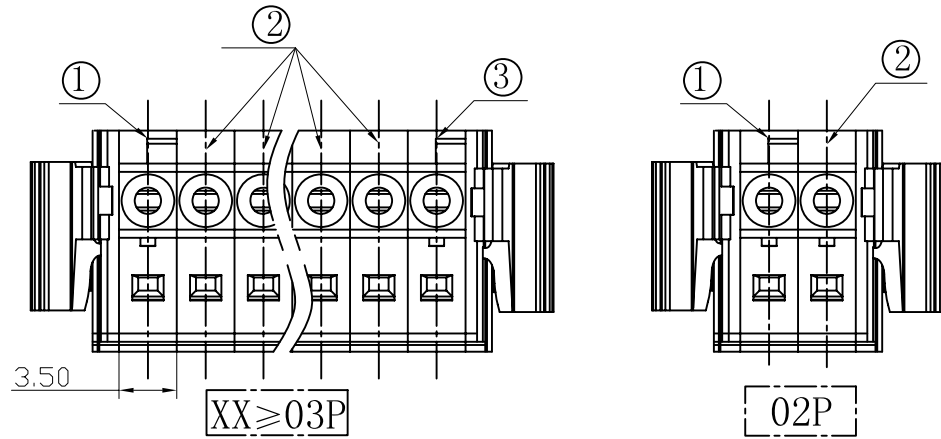


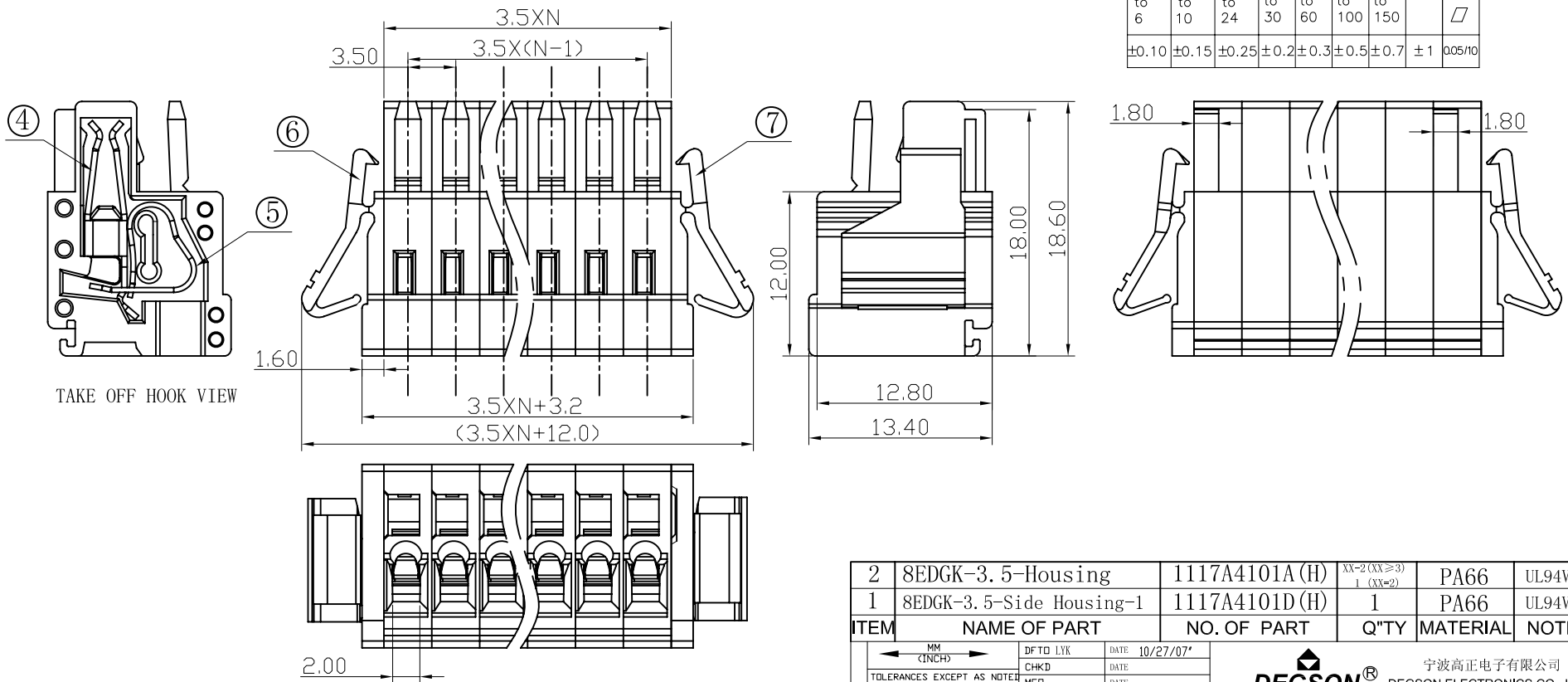
REVISION RECORD				
REV	ECD	DESCRIPTION	DRFT	DATE



Notes:

- Pitch: 3.5mm, Poles: 2-24P
- Rated voltage/current: UL 300V/10A
VDE 250V/10A
- Operation temperatures: -40°C ~ +105°C
- Withstanding Voltage: AC2000V/1Min
- Insulation Resistance: 1000MΩ / DC500V
- Wire Range: 28~14AWG, 1.5mm²
- Undimensioned Tolerances:

Pitch range in mm		Nominal dimension range in mm					—
to	over	over	over	over	over	over	—
6	6 to 10	10 to 24	30 to 60	60 to 100	100 to 150	150	∅
±0.10	±0.15	±0.25	±0.2±0.3	±0.5±0.7	±1	0.05/10	∇



7	8EDGKG-3.5-Hook-2	1117C4101D(H)	1	PA66	UL94V-0
6	8EDGKG-3.5-Hook-1	1117C4101C(H)	1	PA66	UL94V-0
5	WS 1.5-SPRING	X000001700(H)	XX	Stainless steel	
4	8EDGK-3.5-CLAMP	1117B00010(H)	XX	Phosphor Bronze	SnCe
3	8EDGK-3.5-Side Housing-2	1117A4101C(H)	1 (XX ≥ 3) 0 (XX = 2)	PA66	UL94V-0

2	8EDGK-3.5-Housing	1117A4101A(H)	XX-2 (XX ≥ 3) 1 (XX = 2)	PA66	UL94V-0
1	8EDGK-3.5-Side Housing-1	1117A4101D(H)	1	PA66	UL94V-0
ITEM	NAME OF PART	NO. OF PART	Q'TY	MATERIAL	NOTES
TOLERANCES EXCEPT AS NOTED		DFTO LYK	DATE 10/27/07*	DEGSON® 宁波高正电子有限公司 DEGSON ELECTRONICS CO., LTD	
MM (INCH)		CHKD	DATE	NAME 8EDGKG-3.5-XXP-11-01A(H)	
.0 ±		MFD	DATE	DRAWING NO. 8EDGKG-3.5-E02	
.00 ±		APPVL	DATE	/PART NO.	
.000 ±		MATERIAL :		SIZE A4	
ANGLES ± 1°		G.E :		REV TO 09/10/10*	
THIRD ANGLE PROJECTION		FINISH:		DO NOT SCALE DRAWING	
		SCALE :		SHEET 1 OF 1	