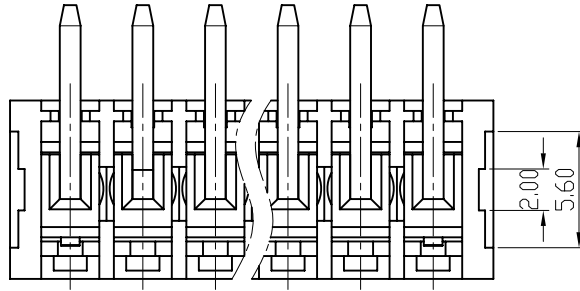


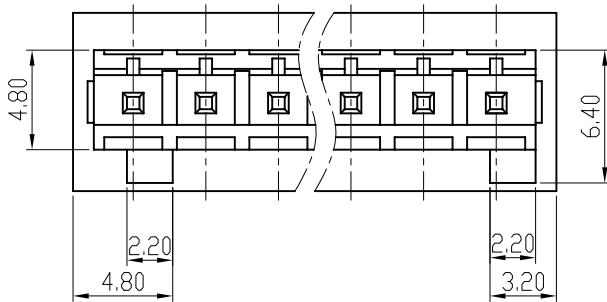
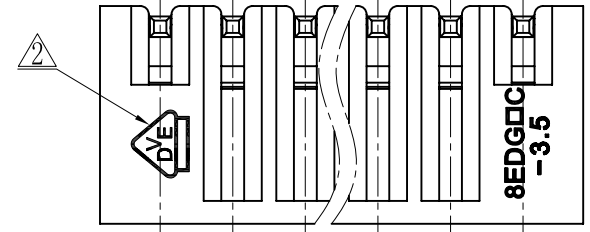
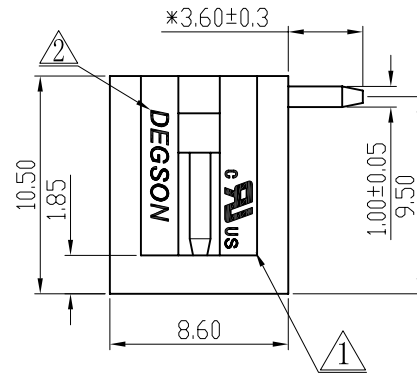
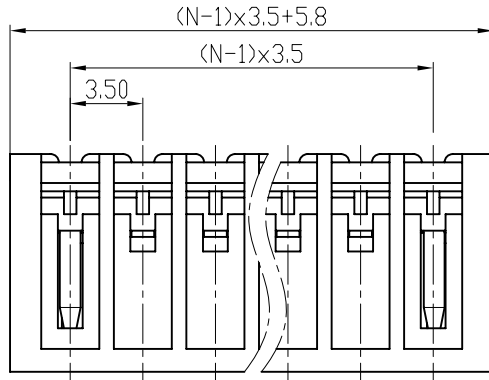
REVISION RECORD					
REV	ECN	DESCRIPTION	DRFT	DATE	
△	10-0067	增加UL刻字和参数	GHY	04/07/10	
△	10-0337	修改“DEGSON”刻字检查及增加“DE”认证标志	Jinhai.Lan	09/08/10	



Notes:

1. Pitch: 3.5mm, Poles: 2-24P
2. Rated voltage/current: UL 300V/10A
VDE 250V/10A
3. Operation temperatures: -40°C ~ +105°C
4. Withstanding Voltage: AC2000V/1min
5. Insulation Resistance: 1000MΩ/DC500V
6. Undimensioned Tolerances:

Pitch range in mm			Nominal dimension range in mm						—	
to	over	to	to	over	over	over	over	∩	∇	
6	6 to 10	10 to 24	30	30 to 60	60 to 100	100 to 150	150			
±0.10	±0.15	±0.25	±0.2	±0.3	±0.5	±0.7	±1	0.05/10		



2	8EDGRC-PIN HEADER	1115B00020 (H)	XX	Brass	SnCe																												
1	8EDGR/VC-3.5-Housing	1115A41XXA (H)	1	PA66	UL94V-0																												
ITEM	NAME OF PART	NO. OF PART	Q"TY	MATERIAL	NOTES																												
<table border="1"> <thead> <tr> <th colspan="2">MM (INCH)</th> <th>DFTD LYK</th> <th>DATE</th> </tr> </thead> <tbody> <tr> <td colspan="2">TOLERANCES EXCEPT AS NOTED</td> <td>CHKD</td> <td>DATE</td> </tr> <tr> <td colspan="2"></td> <td>MFD</td> <td>DATE</td> </tr> <tr> <td>MM</td> <td>±</td> <td>APPVL</td> <td>DATE</td> </tr> <tr> <td>.0 ±</td> <td></td> <td colspan="2"></td> </tr> <tr> <td>.00 ±</td> <td></td> <td colspan="2"></td> </tr> <tr> <td>.000 ±</td> <td></td> <td colspan="2"></td> </tr> </tbody> </table>		MM (INCH)		DFTD LYK	DATE	TOLERANCES EXCEPT AS NOTED		CHKD	DATE			MFD	DATE	MM	±	APPVL	DATE	.0 ±				.00 ±				.000 ±				宁波高正电子有限公司 DEGSON ELECTRONICS CO., LTD NAME 8EDGRC-3.5-XXP-11-01A (H)			
MM (INCH)		DFTD LYK	DATE																														
TOLERANCES EXCEPT AS NOTED		CHKD	DATE																														
		MFD	DATE																														
MM	±	APPVL	DATE																														
.0 ±																																	
.00 ±																																	
.000 ±																																	
ANGLES ± 1° THIRD ANGLE PROJECTION		G.E : FINISH:		DRAWING NO. 8EDGRC-3.5-E01 /PART NO.																													
		SCALE : 1:1		SIZE A3 REV T2 09/08/10'																													
DO NOT SCALE DRAWING				SHEET 1 OF 1																													