

REVISION RECORD				
REV	ECN	DESCRIPTION	DRFT	DATE

Technical characteristics:
 Specifications
 DIN EN 60 664-1
 DIN EN 61 984

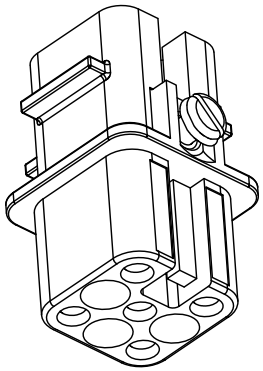
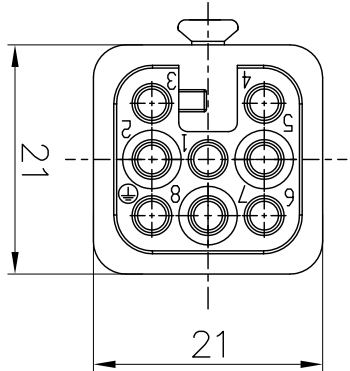
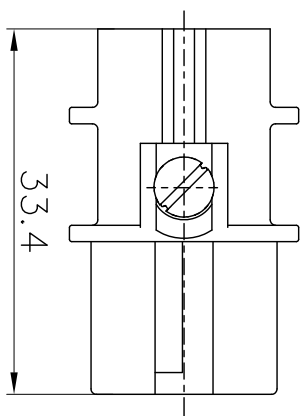
Inserts

- 01. Number of contacts :7+PE
- 02. Rated Current :10A
- 03. Rated Voltage :250V
- 04. Pollution degree :3
- 05. Rated impulse voltage :4kv¹⁰
- 06. Insulation resistance :≥10Ω
- 07. Material:Polycarbonate
- 08. Rated voltage acc. to UL/GSA:600V
- 09. Limiting temperatures : -40°C~+125°C
- 10. Flammability acc. to UL94:V0
- 11. Mechanical working life (mating cycles) : ≥500

Contacts

- 01. Material:Copper alloy
- 02. Surface:hard-silver plated
- 03. Contact resistance : ≤3mΩ
- 04. Terminal :Crimp terminal
- 05. Wire gauge :0.14-2.5mm² (AWG: 26-14)
- 06. Stripping length :6~8mm
- 07. Rohs Compliance

Note:Crimp contact pins should order separately



DETACHED LISTS			
PART NO.:	/	NINGBO DEGSON ELECTRICAL CO., LTD	
APPD:		DD-007-FC	
CHKD:		DD-007-FC-E01	
DRFT:	Mr. Yang 2016.07.25	DD-007-FC-E01	
THIRD ANGLE PROJECTION		DO NOT SCALE DRAWING	SCALE 1.5:1

A 8 7 6 5 4 3 2 1