

REVISION RECORD				
REV	ECN	DESCRIPTION	DRFT	DATE

Technical characteristics:

Specifications

- DIN EN 60 664-1
- DIN EN 61 984

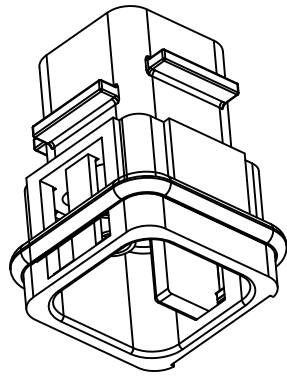
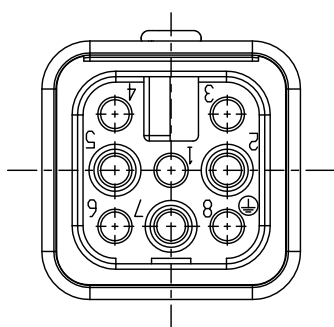
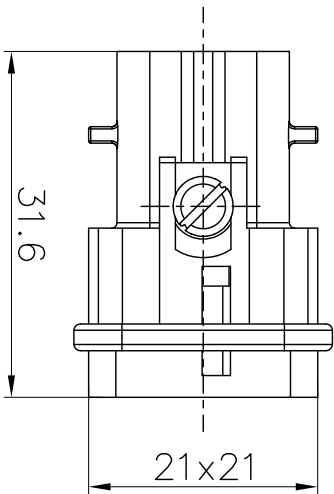
Inserts

- 01. Number of contacts : 7+PE
- 02. Rated Current : 10A
- 03. Rated Voltage : 250V
- 04. Pollution degree : 3
- 05. Rated impulse voltage : 4kV<sup>10</sup>
- 06. Insulation resistance : ≥10Ω
- 07. Material: Polycarbonate
- 08. Rated voltage acc. to UL/CSA: 600V
- 09. Limiting temperatures : -40°C~+125°C
- 10. Flammability acc. to UL94: V0
- 11. Mechanical working life (mating cycles) : ≥500

Contacts

- 01. Material: Copper alloy
- 02. Surface: hard-silver plated
- 03. Contact resistance : ≤3mΩ
- 04. Terminal : Crimp terminal
- 05. Wire gauge : 0.14-2.5mm<sup>2</sup> (AWG 26-14)
- 06. Stripping length : 6~8mm
- 07. Rohs Compliance

Note: Crimp contact pins should order separately



DETACHED LISTS			
PART NO.:	/	NINGBO DEGSON ELECTRICAL CO., LTD	
APPD:		DD-007-MC	
CHKD:		DD-007-MC-E01	
DRFT:	Mr. Yang 2016.07.25	TITLE: CUSTOMER DRAWING	REV: DD-1
THIRD ANGLE PROJECTION		DRAWING NO.:	SHEET: 1/1
		DO NOT SCALE DRAWING	SCALE: 1.5:1