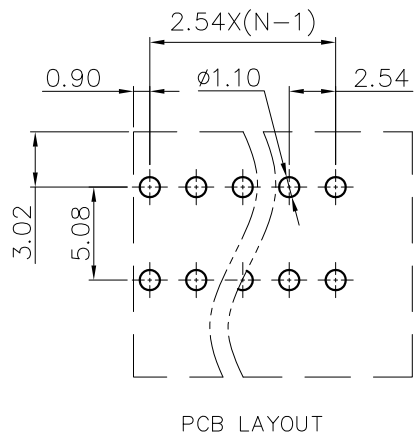
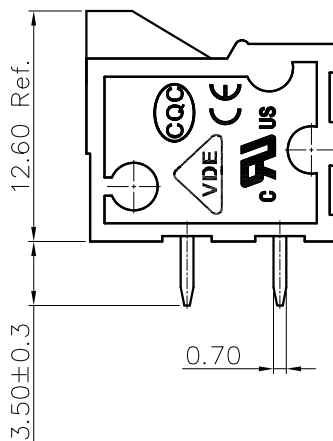
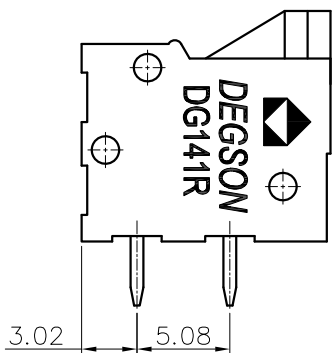
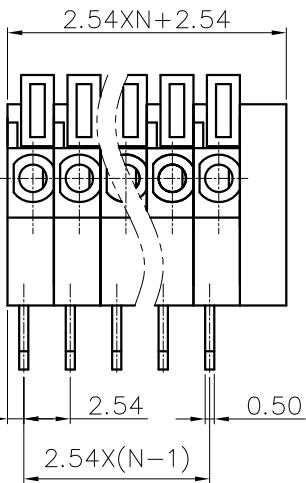
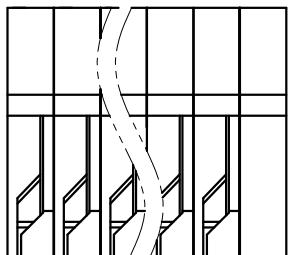


REVISION RECORD				
REV	ECN	DESCRIPTION	DRFT	DATE



NOTES1:

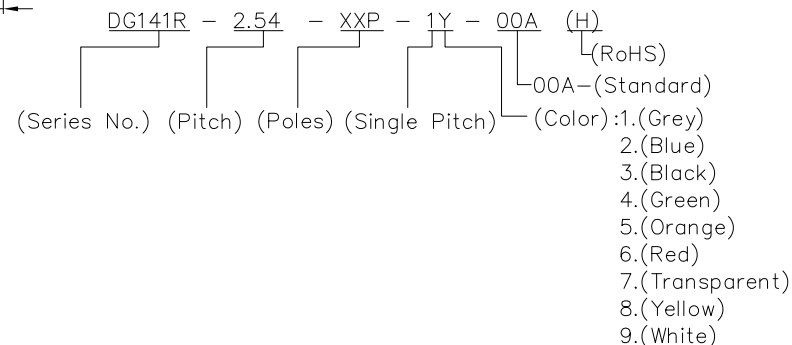
- UL Standard
 - 1.Rated voltage/current : 150V / 2A
 - 2.Wire range : 24~20AWG
- IEC Standard
 - 1.Rated voltage/current : 130V / 6A
 - 2.Wire range : 0.2~1.0mm²

NOTES2:

- 1.Dimension shall be interpreted per ASME Y14.5-2009
- 2.Pitch : 2.54mm, Poles : N=01~XXP
- 3.Stripping length : 11mm
- 4.Withstanding voltage : AC1300V/1Min.
- 5.Operating temperature : -40°C~+105°C
- 6.Undimensioned tolerances:

Pitch range in mm		Nominal dimension range in mm							0.1/10
TO	Over	TO	Over	TO	Over	TO	Over		
6	10	6	10	30	60	100	150	0.1/10	
6	10	10	24	30	60	100	150	<	
±0.15	±0.20	±0.30	±0.30	±0.50	±0.70	±1.00	±1.30	±2'	

7.RoHS Compliance



DETACHED LISTS	PART NO.:	宁波高松电子有限公司 NINGBO DEGSON ELECTRICAL CO., LTD			
	APPD:	NAME: DG141R-2.54-XXP-1Y-00A(H)			
	CHKD:	TITLE: CUSTOMER DRAWING			
	DRFT:	DRAWING NO.:		REV	DO
THIRD ANGLE PROJECTION		DO NOT SCALE DRAWING MM (INCH)		SHEET	1/1
		SCALE		1:1	