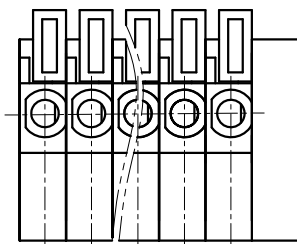


REVISION RECORD				
REV	ECN	DESCRIPTION	DRFT	DATE

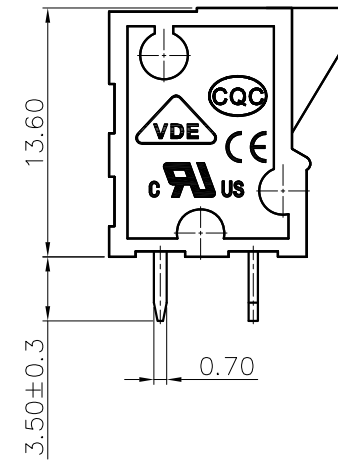
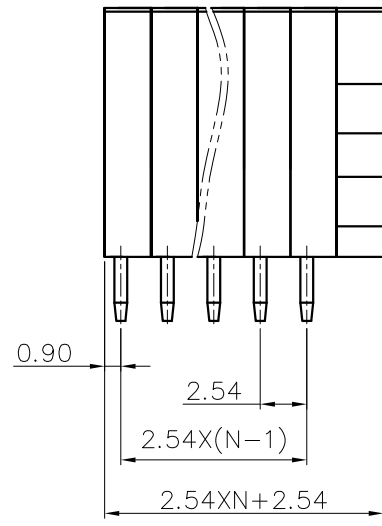
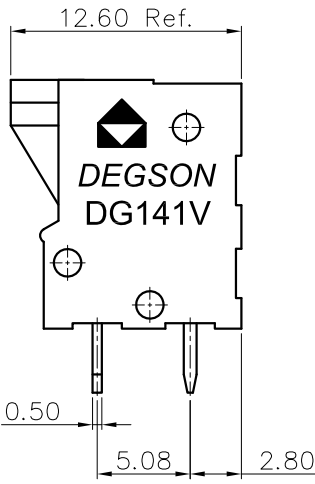


NOTES1:
 UL Standard
 1.Rated voltage/current : 150V / 2A
 2.Wire range : 24~20AWG
 IEC Standard
 1.Rated voltage/current : 130V / 6A
 2.Wire range : 0.2~1.0mm²

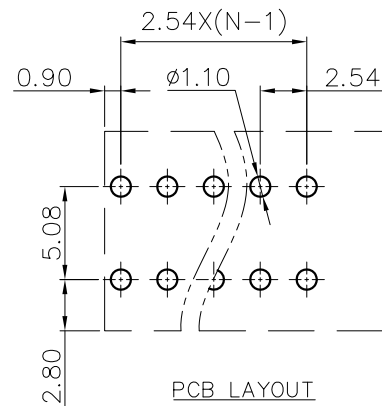
NOTES2:
 1.Dimension shall be interpreted per ASME Y14.5-2009
 2.Pitch : 2.54mm, Poles : N=01~XXP
 3.Stripping length : 11mm
 4.Withstanding voltage : AC1250V/1Min.
 5.Operating temperature : -40°C~+105°C
 6.Undimensioned tolerances:

Pitch range in mm		Nominal dimension range in mm						
TO	Over	Over	TO	Over	Over	Over	0.1/10	
6	10	10	24	30	60	100	150	
±0.15	±0.20	±0.30	±0.30	±0.50	±0.70	±1.00	±1.30	±2'

7.RoHS Compliance



DG141V - 2.54 - XXP - 1Y - 00A (H)
 (Series No.) (Pitch) (Poles) (Single Pitch) (Color): 1.(Grey) 2.(Blue) 3.(Black) 4.(Green) 5.(Orange) 6.(Red) 7.(Transparent) 8.(Yellow) 9.(White)
 (RoHS)
 00A-(Standard)



DETACHED LISTS	PART NO.:	/			
	APPD:	/			
	CHKD:	/			
	DRFT:	/			
	THIRD ANGLE PROJECTION		MM (INCH)		DO NOT SCALE DRAWING
PART NO.: /		NAME: NINGBO DEGSON ELECTRICAL CO., LTD		REV	DO
APPD: /		NAME: DG141V-2.54-XXP-1Y-00A(H)		SHEET	1/1
CHKD: /		TITLE: CUSTOMER DRAWING		SCALE	1:1
DRFT: /		DRAWING NO.: /			