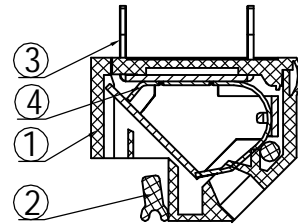
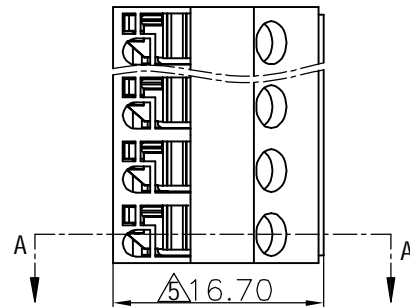


REVISION RECORD				
REV	ECO	DESCRIPTION	DEPT	DATE



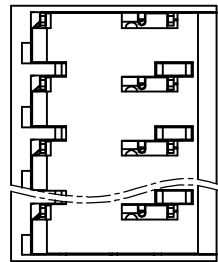
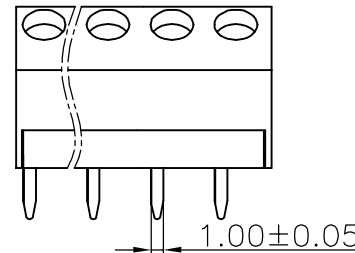
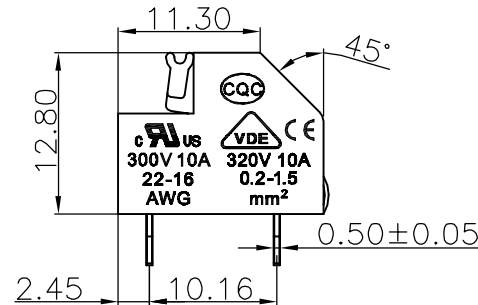
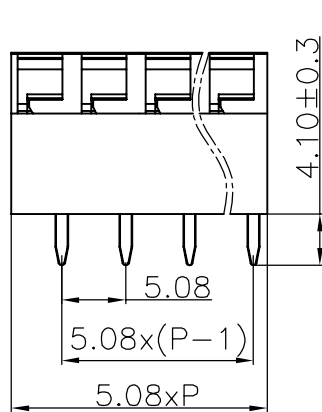
SECTION A-A



Notes:

1. Pitch: 5.08mm , Poles: 2-7P
2. Rated voltage/current: UL 300V/10A
VDE 320V/10A
3. Operation temperatures: -40°C ~ +105°C
4. Withstanding Voltage: AC2000V/1Min
5. Insulation Resistance: 5000MΩ / DC1000V
6. Wire Range: 22~16AWG, 0.2~1.5mm²
7. Undimensioned Tolerances:

Pitch range in mm		Nominal dimension range in mm						
to	over	to	over	over				
6	10	10	30	60	100	150	∩	
±0.10	±0.15	±0.25	±0.2	±0.3	±0.5	±0.7	±1.0	0.05/10



4
3
2

DG237-5.08-Housing		1	PA66	J	
ITEM	NAME OF PART	NO. OF PART	Q'TY	MATERIAL	NOTES
DIMENSIONS (MM)	MM	DATE	03/09/06*	宁波高正电子有限公司 DEGSON ELECTRONICS CO., LTD NAME DG237-5.08-XXP-1Y-00A (H)	
	TOLERANCES EXCEPT AS NOTED	CHKD	DATE		
		MFO	DATE		
		APPVL	DATE		
	MATERIAL :	G. E. :		DRAWING NO. DG237-5.08-E01	
	FINISH :	SCALE : 1:1		/PART NO.	
	THIRD ANGLE PROJECTION	DO NOT SCALE DRAWING		SHEET 1 OF 1	

H
G
F
E
D
C
B
A