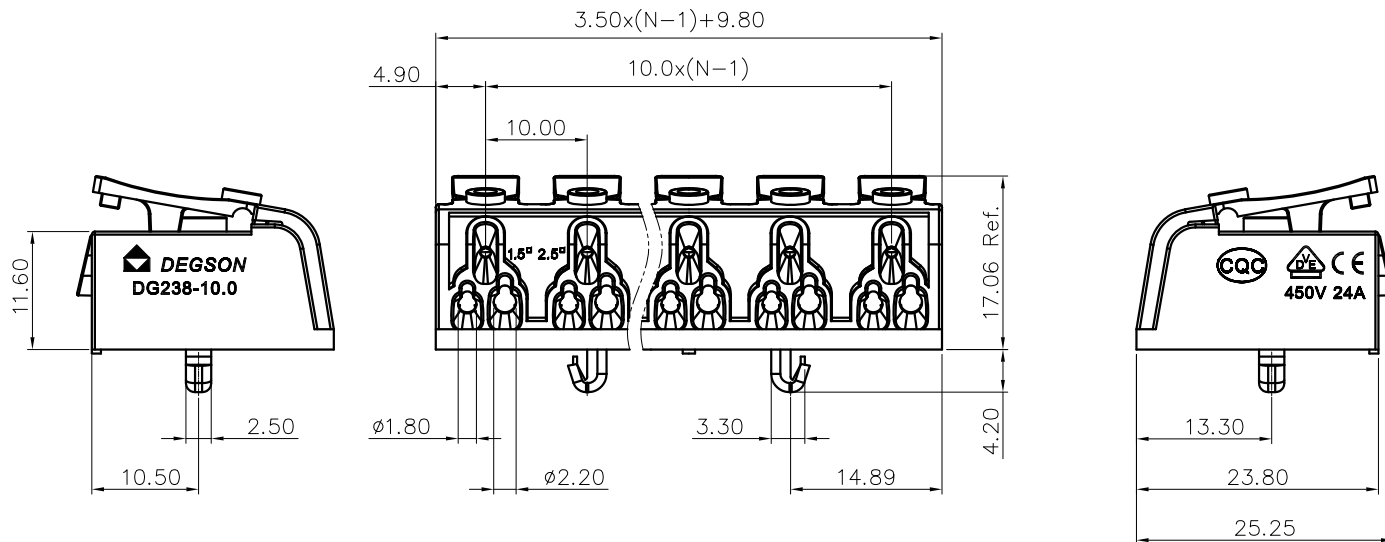


REVISION RECORD				
REV	ECN	DESCRIPTION	DRFT	DATE



NOTES1:

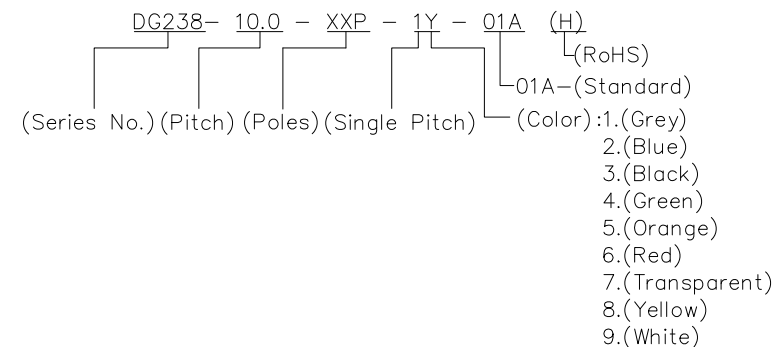
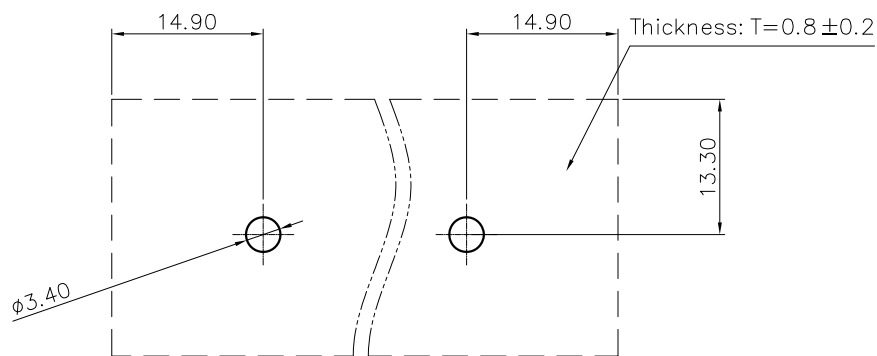
- UL Standard
- 1.Rated voltage/current : 600V / 20A
- 2.Wire range : 22~12AWG
- IEC Standard
- 1.Rated voltage/current : 450V / 24A
- 2.Wire range : 0.75~2.5mm²

NOTES2:

- 1.Dimension shall be interpreted per ASME Y14.5-2009
- 2.Pitch : 10.00mm, Poles : N=02~05P
- 3.Stripping length : 9~10mm
- 4.Withstanding voltage : AC2500V/1Min
- 5.Operating temperature: -40°C~+105°C
- 6.Undimensioned tolerances:

Pitch range in mm		Nominal dimension range in mm					±	∠	∇
TO	Over TO	Over TO	Over TO	Over TO	Over TO	Over TO	0.1/10	<	
6	10	24	30	60	100	150			
±0.15	±0.20	±0.30	±0.30	±0.50	±0.70	±1.00	±1.30	±2*	

7.RoHS Compliance



DETACHED LISTS	PART NO.:	/			
	APPD:	/			
	CHKD:	/			
	DRFT:	/			
	 THIRD ANGLE PROJECTION		 DO NOT SCALE DRAWING		SCALE: 1:1
NAME: NINGBO DEGSON ELECTRICAL CO., LTD DG238-10.0-XXP-19-01A(H)		TITLE: CUSTOMER DRAWING	REV	DO	
DRAWING NO.:		/		SHEET	
				1/1	