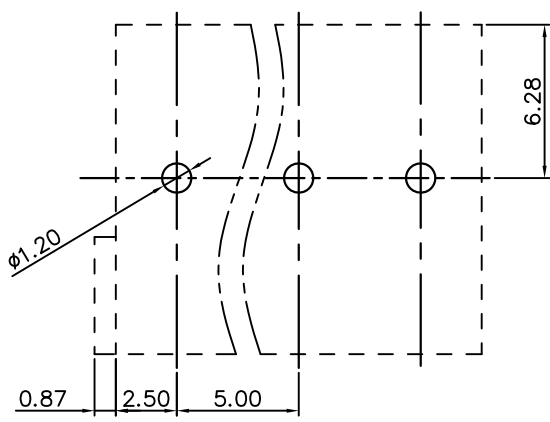
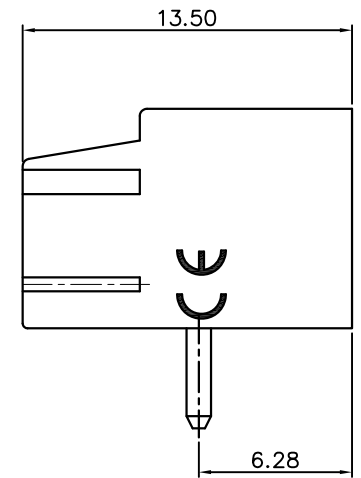
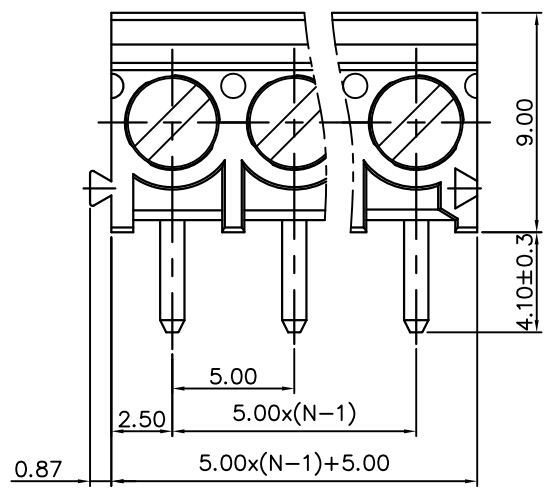
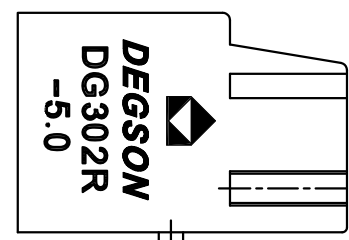
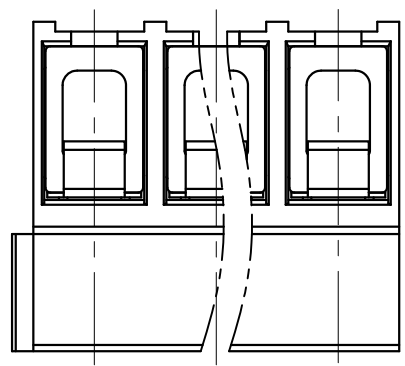


REVISION RECORD				
REV	ECN	DESCRIPTION	DRFT	DATE



PCB LAYOUT

NOTES1:

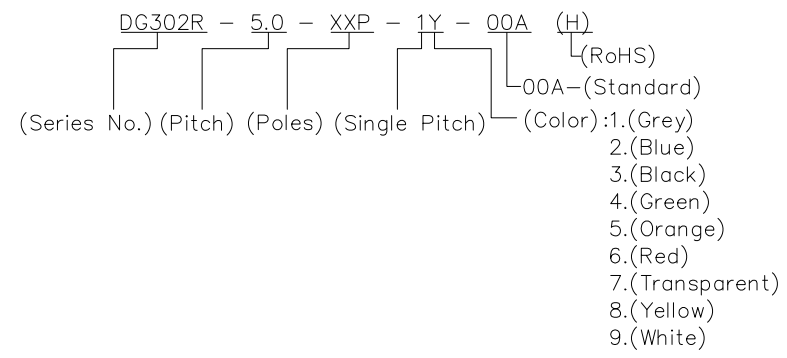
- UL Standard
 - Rated voltage/current : 300V /20A
 - Torque value : M3 , 4.43Lb.in
 - Wire range : 20~12AWG
- IEC Standard
 - Rated voltage/current : 250V / 25A
 - Torque value : M3 , 0.5N·m
 - Wire range : 0.5~4mm²

NOTES2:

- Dimension shall be interpreted per ASME Y14.5-2009
- Pitch : 5.00mm, Poles : N=02~24P
- Stripping length : 6.5mm
- Withstanding voltage : AC2000V/1Min
- Operating temperature: -40°C~+105°C
- Undimensioned tolerances:

Pitch range in mm		Nominal dimension range in mm				-	∩	∠
TO	Over	Over	TO	Over	Over	Over	0.1/10	
6	6 TO 10	10 TO 24	30	30 TO 60	60 TO 100	100 TO 150	150	<
±0.15	±0.20	±0.30	±0.30	±0.50	±0.70	±1.00	±1.30	±2'

7.RoHS Compliance



DETACHED LISTS	PART NO.:	/			
	APPD:	NAME: DEGSON 宁波高松电子有限公司 NINGBO DEGSON ELECTRICAL CO., LTD			
	CHKD:	NAME: DG302R-5.0-XXP-1Y-00A(H)			
	DRFT:	TITLE: CUSTOMER DRAWING	REV	D0	
		DRAWING NO.:	/	SHEET	1/1
		THIRD ANGLE PROJECTION	DO NOT SCALE DRAWING	SCALE	1:1