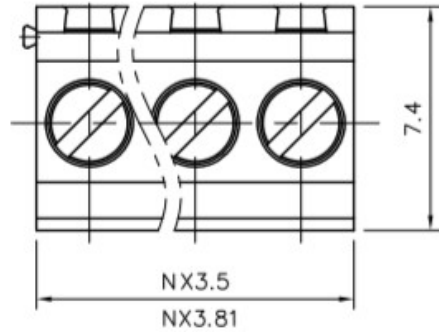


| REVISION RECORD | | | | |
|-----------------|-----|-------------|------|------|
| REV | ECN | DESCRIPTION | DRFT | DATE |
| | | | | |



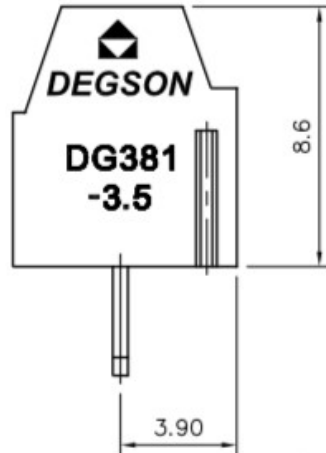
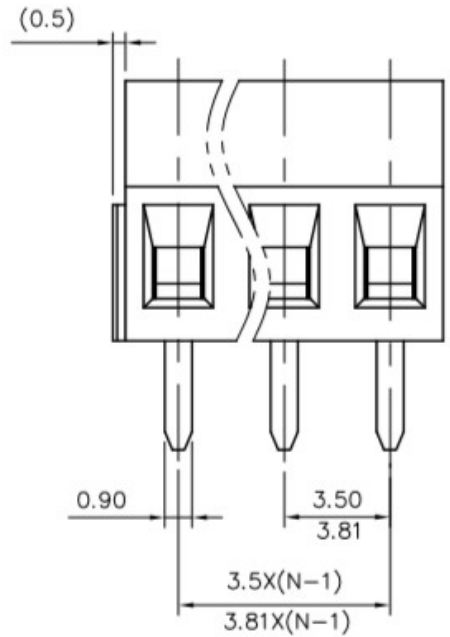
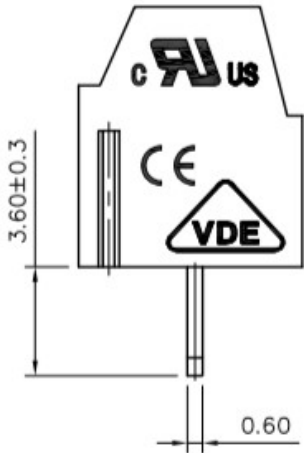
NOTES1:
 UL Standard
 1. Rated voltage/current : 150V / 10A
 2. Torque Value : M2 , 1.77Lb.in
 3. Wire Range : 26~16AWG

IEC Standard
 1. Rated voltage/current : 130V / 10A
 2. Torque Value : M2 , 0.2N.m
 3. Wire Range : 0.5~1.0mm²

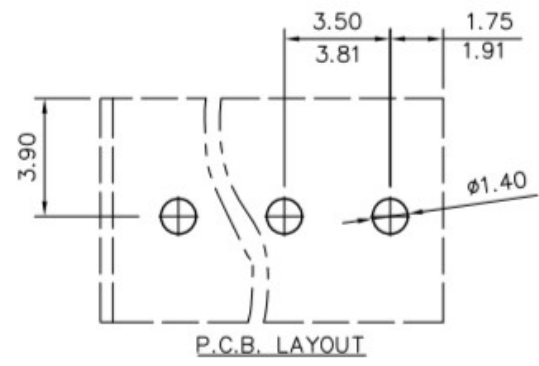
NOTES2:
 1. Dimension shall be interpreted per ASME Y14.5-2009
 2. Pitch : 3.5/3.81mm, Poles : N=02~24P
 3. Stripping length : 4~5mm
 4. Withstanding voltage : AC1250V/1Min
 5. Operating temperature: -40°C~+105°C
 6. Undimensioned tolerances:

| Pitch range in mm | | Nominal dimension range in mm | | | | | | - | ∅ |
|-------------------|-------|-------------------------------|-------|-------|-------|-------|--------|-----|---|
| TO | Over | Over | Over | Over | Over | Over | 0.1/10 | | |
| 6 | 10 | 10 | 24 | 30 | 60 | 100 | 150 | < | |
| ±0.15 | ±0.20 | ±0.30 | ±0.30 | ±0.50 | ±0.70 | ±1.00 | ±1.30 | ±2' | |

7. RoHS Compliance



DG381 - 3.5/3.81 - XXP - 1Y - 00A (H)
 (Series No.) (Pitch) (Poles) (Single Pitch) (Color): 1.(Grey)
 2.(Blue)
 3.(Black)
 4.(Green)
 5.(Orange)
 6.(Red)
 7.(Transparent)
 8.(Yellow)
 9.(White)



| | | | | |
|----------------|------------------------|-----------------------------------------------------|------------------------------|-----------|
| DETACHED LISTS | PART NO.: | 宁波高松电子有限公司 NINGBO DEGSON ELECTRICAL CO., LTD | | |
| | APPD: | NAME: | DG381-3.5/3.81-XXP-1Y-00A(H) | |
| | CHKD: | TITLE: | CUSTOMER DRAWING | REV DO |
| | DRFT: | DRAWING NO.: | / | SHEET 1/1 |
| | THIRD ANGLE PROJECTION | DRAWING NO.: / MM (INCH) DO NOT SCALE DRAWING | SCALE | 1:1 |