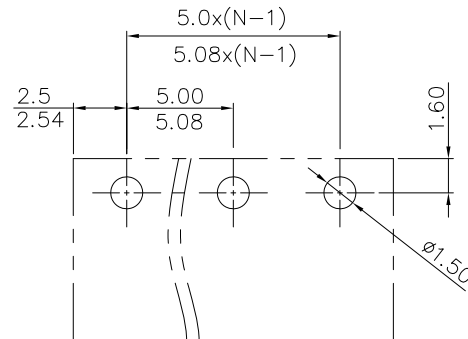
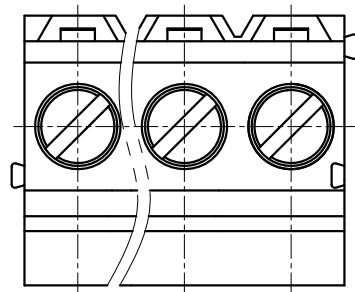


REVISION RECORD

REV	ECN	DESCRIPTION	DRFT	DATE
-----	-----	-------------	------	------



PCB LAYOUT

NOTES1:

UL Standard

- 1.Rated Voltage/Current : 300V / 20A
- 2.Torque Value : M2.5 , 3.54Lb.in
- 3.Wire Range : 28~12AWG

IEC Standard

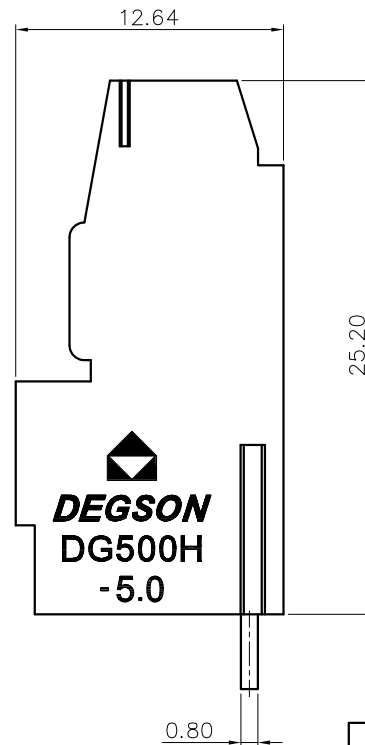
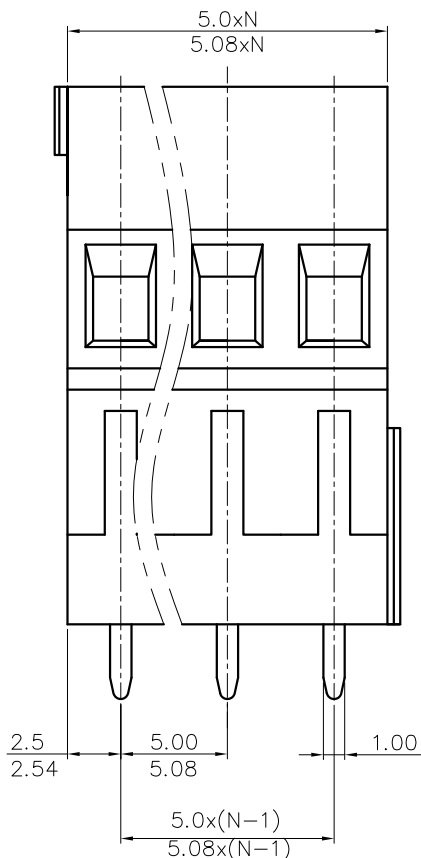
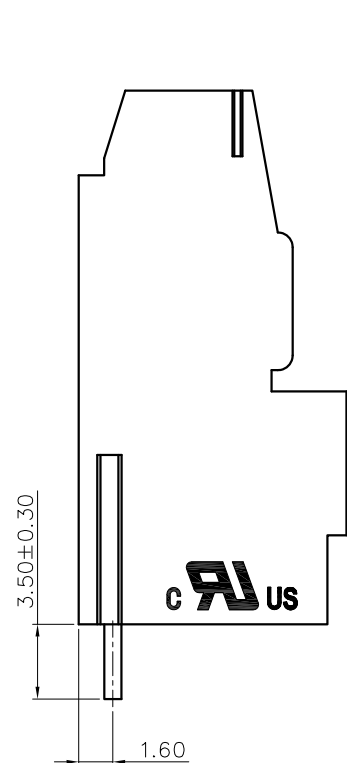
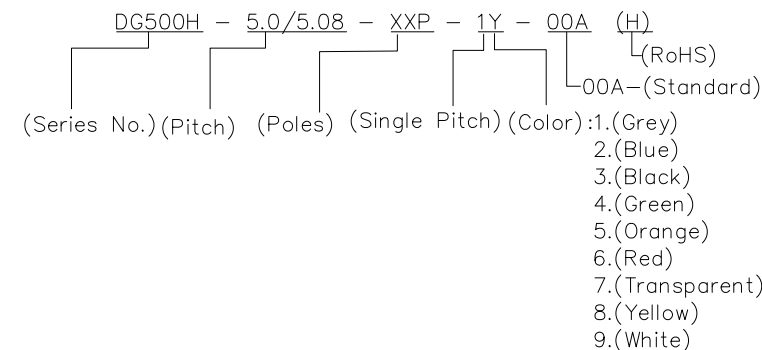
- 1.Rated Voltage/Current : 250V / 24A
- 2.Torque Value : M2.5 , 0.4N.m
- 3.Wire Range : 2.5mm²

NOTES2:

- 1.Dimension shall be interpreted per ASME Y14.5-2009
- 2.Pitch : 5.0/5.08mm, Poles : N=02~XXP
- 3.Stripping length : 6~7mm
- 4.Withstanding Voltage : AC2000V/1Min.
- 5.Operating temperature : -40°C~+105°C
- 6.Undimensioned Tolerances:

Pitch range in mm		Nominal dimension range in mm						-	∩	∇
TO	Over TO	Over TO	TO	Over TO	Over TO	Over TO	Over TO	0.1/10		
6	10	24	30	60	100	150		<		
±0.15	±0.20	±0.30	±0.30	±0.50	±0.70	±1.00	±1.30		±2°	

7.RoHS Compliance



DETACHED LISTS	PART NO.:	/			
	APPD:	/			
	CHKD:	/			
	DRFT:	/			
		宁波高松电子有限公司 NINGBO DEGSON ELECTRICAL CO., LTD			
		NAME: DG500H-5.0/5.08-XXP-1Y-00A(H)			
		TITLE: CUSTOMER DRAWING	REV	DO	
		DRAWING NO.:	/		SHEET 1/1
		THIRD ANGLE PROJECTION	MM (INCH)	DO NOT SCALE DRAWING	SCALE 1:1