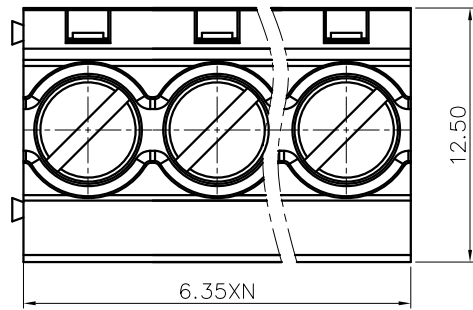
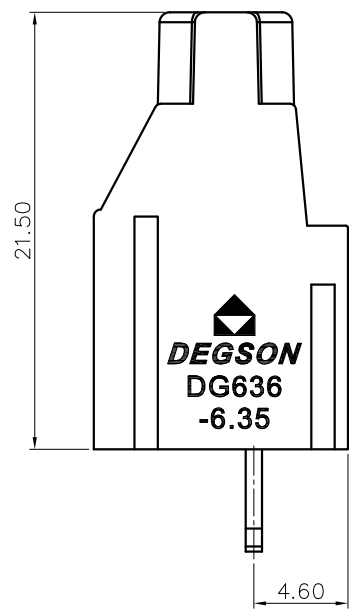
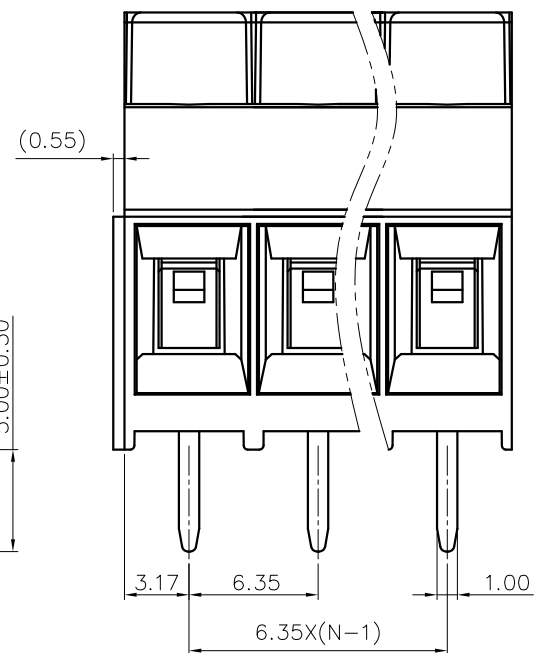
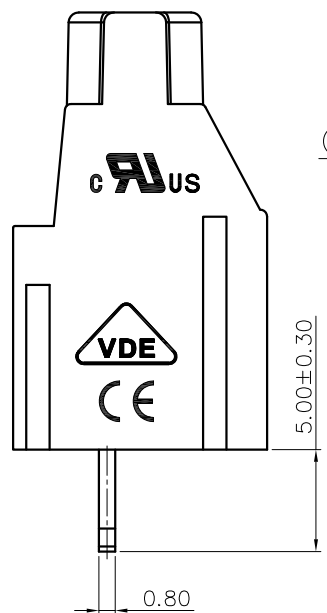


REVISION RECORD				
REV	ECN	DESCRIPTION	DRFT	DATE



DG636 - 6.35 - XXP - 1Y - 00A (H)  
 (Series No.) (Pitch) (Poles) (Single Pitch) (RoHS)  
 00A--(Standard)  
 (Color): 1.(Grey) 2.(Blue) 3.(Black) 4.(Green) 5.(Orange)  
 6.(Red) 7.(Transparent) 8.(Yellow) 9.(White)

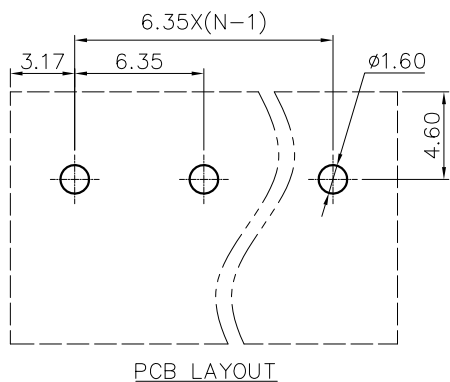


- NOTES1:  
 UL Standard  
 1.Rated voltage/current : 300V / 30A  
 2.Torque value : M3 , 4.43Lb.in  
 3.Wire range : 26~10AWG  
 IEC Standard  
 1.Rated voltage/current : 450V / 24A  
 2.Torque value : M3 , 0.5N·m  
 3.Wire range : 1.5~4.0mm<sup>2</sup>

- NOTES2:  
 1.Dimension shall be interpreted per ASME Y14.5-2009  
 2.Pitch : 6.35mm, Poles : N=02~24P  
 3.Stripping length : 8mm  
 4.Withstanding voltage : AC2500V/1Min.  
 5.Operating temperature: -40°C~+105°C  
 6.Undimensioned tolerances:

Pitch range in mm	Nominal dimension range in mm						-	R	D
	Over 6 TO 10	Over 10 TO 24	Over 30 TO 60	Over 60 TO 100	Over 100 TO 150	Over 150			
±0.15	±0.20	±0.30	±0.30	±0.50	±0.70	±1.00	±1.30	±2'	

7.RoHS Compliance



DETACHED LISTS	PART NO.:	/			
	APPD:	/			
	CHKD:	/			
	DRFT:	/			
	THIRD ANGLE PROJECTION		DRAWING NO.:		MM (INCH)
		DO NOT SCALE DRAWING		SCALE	
		NAME:		REV	
		TITLE:		DO	
		SHEET		1/1	
		SCALE		1:1	

宁波高松电子有限公司  
 NINGBO DEGSON ELECTRICAL CO., LTD

DG636-6.35-XXP-1Y-00A(H)

CUSTOMER DRAWING

1/1

1:1