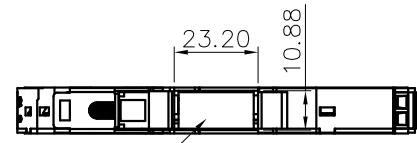
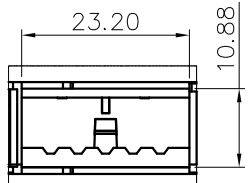
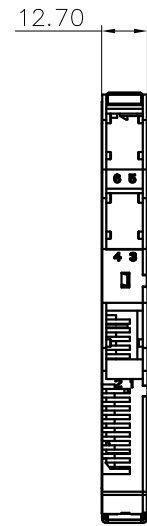
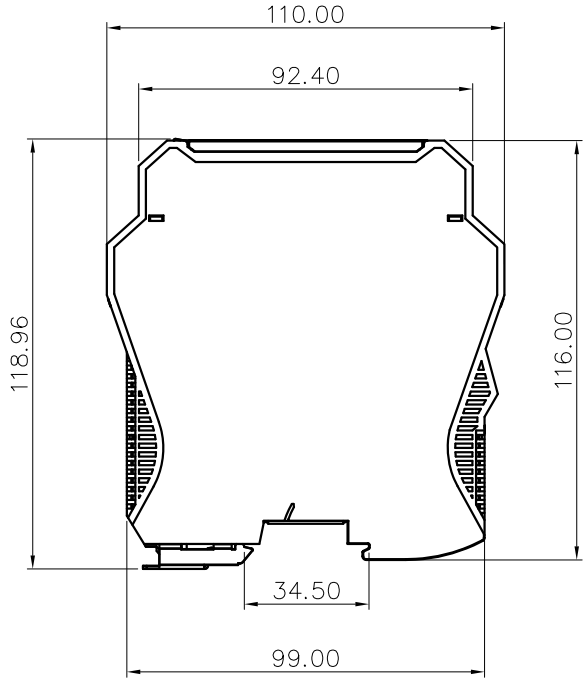
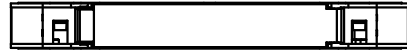


REVISION RECORD				
REV	ECN	DESCRIPTION	DRFT	DATE

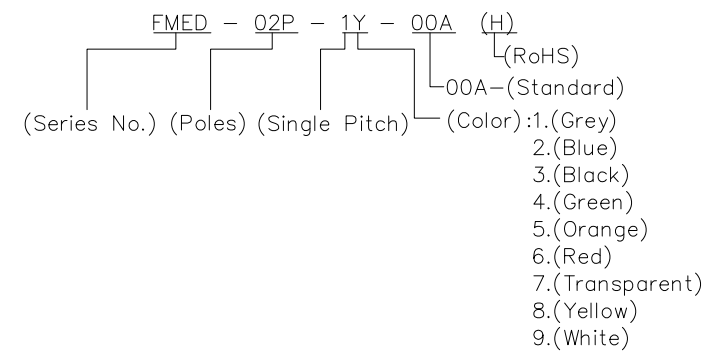


Enlarge figure after removing dust control module

- NOTES:
 1.Dimension shall be interpreted per ASME Y14.5-2009
 2.Undimensioned Tolerances:

Pitch Range In mm		Nominal Dimension Range In mm				-	∩	∇
To	Over	To	Over	To	Over	0.1/10		
6	10	10	24	30	60	100	150	
±0.15	±0.20	±0.30	±0.30	±0.50	±0.70	±1.00	±1.30	±2'

3.RoHS Compliance



DETACHED LISTS	PART NO.:	/			
	APPD:	/			
	CHKD:	/			
	DRFT:	/			
	 THIRD ANGLE PROJECTION		 DO NOT SCALE DRAWING		DRAWING NO.: / SHEET 1/1
NAME: NINGBO DEGSON ELECTRICAL CO., LTD FMED-02P-1Y-00A(H)		TITLE: CUSTOMER DRAWING	REV: /	DO: /	
SCALE: 1:1					