

PMC Panel Mount Power Supply

12V 100W 1 Phase / PMC-12V100W1A□



PMC

Highlights & Features

- Universal AC input voltage range
- Power will not de-rate for the entire input voltage range
- Full corrosion resistant aluminium casing
- Conforms to harmonic current IEC/EN 61000-3-2, Class A
- High MTBF > 700,000 hrs per Telcordia SR-332
- Safety approval according to IEC/EN/UL 60950-1 (ITE standard) and EMI to EN 55022, Class B

Safety Standards



CB Certified for worldwide use

| | |
|--------------------------------|--|
| Model Number: | PMC-12V100W1A□ |
| Unit Weight: | 0.45 kg (0.99 lb) |
| Dimensions (L x W x D): | 158 x 97x 38 mm (6.22 x 3.82 x 1.50 inch) |

General Description

The new Panel Mount Power Supply is the latest offering from one of the world's largest power supply manufacturers and solution providers - Delta. The product range offers a nominal output voltage of 12V, a wide temperature range from -10°C to +70°C and a highly dependable minimum holdup time. The state-of-the-art design is made to withstand harsh industrial environments. What makes the product stand out from the crowd is its lightweight full aluminum body design which can withstand shock and vibration according to IEC 60068-2. Delta's Panel Mount Power Supply also offers overvoltage and overload protection. Using a wide input voltage range design, it is compatible worldwide. The input also includes DC operating voltage from 125-375Vdc. Best of all, this excellent design and quality does not come with a big price tag.

Model Information

PMC Panel Mount Power Supply

| Model Number | Input Voltage Range | Rated Output Voltage | Rated Output Current |
|----------------|------------------------|----------------------|----------------------|
| PMC-12V100W1A□ | 85-264Vac (125-375Vdc) | 12Vdc | 8.34A |

Model Numbering

| PM | C – | 12V | 100W | 1 | A | □ |
|-------------|------------------------------|----------------|--------------|--------------|--------|--|
| Panel Mount | Product Type C – Enclosed | Output Voltage | Output Power | Single Phase | No PFC | Connector Type A – Terminal Block J – IP20 Connector* L – Front Face* H – Harness* |

*Options



PMC Panel Mount Power Supply

12V 100W 1 Phase / PMC-12V100W1A□

Specifications

Input Ratings / Characteristics

| | |
|---------------------------------|--|
| Nominal Input Voltage | 100-240Vac |
| Input Voltage Range | 85-264Vac |
| Nominal Input Frequency | 50-60Hz |
| Input Frequency Range | 47-63Hz |
| Nominal DC Input Voltage | 125-250Vdc |
| DC Input Voltage Range* | 125-375Vdc |
| Input Current | < 2.0A @ 115Vac, < 1.1A @ 230Vac |
| Efficiency at 100% Load | > 84% @ 115Vac, > 86% @ 230Vac |
| Max Power Dissipation | 0% load < 1.5W @ 115Vac & 230Vac |
| | 100% load < 18.5W @ 115Vac, < 15W @ 230Vac |
| Max Inrush Current (Cold Start) | < 60A @ 115Vac, < 130A @ 230Vac |
| Leakage Current | < 1mA @ 240Vac |

*Safety approval according to IEC/EN/UL 60950-1.

Output Ratings / Characteristics**

| | |
|--|---|
| Nominal Output Voltage | 12Vdc |
| Factory Set Point Tolerance | 12Vdc \pm 2% |
| Output Voltage Adjustment Range | 11-14Vdc |
| Output Current | 8.34A (100W max.) |
| Output Power | 100W |
| Line Regulation | < 0.5% typ. (@ 85-264Vac input, 100% load) |
| Load Regulation | < 1% typ. (@ 85-264Vac input, 0-100% load) |
| PARD*** (20MHz) | < 100mVpp |
| Rise Time | < 30ms @ nominal input (100% load) |
| Start-up Time | < 1000ms @ nominal input (100% load) |
| Hold-up Time | > 15ms @ 115Vac (100% load) |
| | > 80ms @ 230Vac (100% load) |
| Dynamic Response (Overshoot & Undershoot O/P Voltage) | \pm 5% @ 85-264Vac, 0-100% load (Slew Rate: 0.1A/ μ S, 50% duty cycle @ 5Hz) |
| Start-up with Capacitive Loads | 8,000 μ F Max |

**For power de-rating from 50°C to 70°C, see power de-rating on page 3.

***PARD is measured with an AC coupling mode, 5cm wires, and in parallel with 0.1 μ F ceramic capacitor & 47 μ F electrolytic capacitor.

PMC Panel Mount Power Supply

12V 100W 1 Phase / PMC-12V100W1A□

Mechanical

| | | |
|-----------------------------------|--|---|
| Case Chassis / Cover | Aluminium | |
| Dimensions (L x W x D) | 158 x 97 x 38 mm (6.22 x 3.82 x 1.50 inch) | |
| Unit Weight | 0.45 kg (0.99 lb) | |
| Indicator | Green LED (DC OK) | |
| Cooling System | Convection | |
| Terminal | PMC-12V100W1A <u>A</u> | M3.5 x 7 Pins (Rated 300V/15A) |
| | PMC-12V100W1A <u>J</u> | M3.5 x 7 Pins (Rated 300V/20A) |
| | PMC-12V100W1A <u>L</u> | M3.5 x 7 Pins (Rated 300V/20A) |
| | PMC-12V100W1A <u>H</u> | Input: B3P(6-2.3.5)-VH(LF)(SN) Output: B4P7-VH(LF)(SN) |
| Wire | PMC-12V100W1A <u>A</u> | AWG 22-14 |
| | PMC-12V100W1A <u>J</u> | AWG 22-12 |
| | PMC-12V100W1A <u>L</u> | AWG 22-12 |
| | PMC-12V100W1A <u>H</u> | AWG 22-18 |
| Noise (1 Meter from power supply) | Sound Pressure Level (SPL) < 40dBA | |

Environment

| | | |
|-----------------------------|-----------------------------------|--|
| Surrounding Air Temperature | Operating | -10°C to +70°C |
| | Storage | -25°C to +85°C |
| Power De-rating | > 50°C de-rate power by 2.5% / °C | |
| Operating Humidity | 5 to 95% RH (Non-Condensing) | |
| Operating Altitude | 0 to 3,000 Meters (9,840 ft.) | |
| Shock Test | Non-Operating | IEC 60068-2-27, 30G (300m/S ²) for a duration of 18ms 1 times per direction, 6 times in total |
| Vibration | Non-Operating | IEC 60068-2-6, 10Hz to 150Hz @ 50m/S ² (5G peak); 20 min per axis for all X, Y, Z direction |
| Over Voltage Category | II | |
| Pollution Degree | 2 | |

Protections

| | |
|--------------------------|---|
| Overvoltage | 16V +10%/-5%, SELV output, Hiccup Mode, Non-Latching (Auto recovery) |
| Overload / Overcurrent | > 120% of rated load current, Hiccup Mode, Non-Latching (Auto recovery) |
| Over Temperature | < 75°C Ambient Temperature @ 100% load, Non-Latching (Auto-recovery) |
| Short Circuit | Hiccup Mode, Non-Latching (Auto-recovery when the fault is removed) |
| Internal Fuse at L pin | T3.15AH |
| Degree of Protection | IP20 (PMC-12V100W1A <u>J</u>) |
| Protection Against Shock | Class I with PE* connection |

*PE: Primary Earth

PMC Panel Mount Power Supply

12V 100W 1 Phase / PMC-12V100W1A□

Reliability Data

| | |
|------------------------|--|
| MTBF | > 700,000 hrs, as per Telcordia SR-332 I/P: 115Vac & 230Vac, O/P: 100% load, Ta: 25°C |
| Expected Cap Life Time | 10 years (115Vac & 230Vac, 50% load and 40°C) |

Safety Standards / Directives

| | | |
|--------------------------|------------------|---|
| Safety Entry Low Voltage | | SELV (EN 60950-1) |
| Electrical Safety | TUV Bauart | EN 60950-1 |
| | UL/cUL | UL 60950-1 and CSA C22.2 No. 60950-1 (File No. E191395) |
| | CB Scheme | IEC 60950-1 |
| | CCC | GB4943 |
| CE | | In conformance with EMC Directive 2014/30/EU and Low Voltage Directive 2014/35/EU |
| Material and Parts | | RoHS Directive 2011/65/EU Compliant |
| Galvanic Isolation | Input to Output | 3.0 KVac |
| | Input to Ground | 1.5 KVac |
| | Output to Ground | 500 Vac |

EMC

| | | |
|-----------------------------------|----------------|--|
| Emissions (CE & RE) | | CISPR 32, EN 55032, FCC Title 47: Class B, GB9254 |
| Immunity | | Generic Standards: EN 55024 |
| Electrostatic Discharge | IEC 61000-4-2 | Level 4 Criteria A ¹⁾ Air Discharge: 15kV Contact Discharge: 8kV |
| Radiated Field | IEC 61000-4-3 | Level 3 Criteria A ¹⁾ 80MHz-1GHz, 10V/M with 1kHz tone / 80% modulation |
| Electrical Fast Transient / Burst | IEC 61000-4-4 | Level 3 Criteria A ¹⁾ 2kV |
| Surge | IEC 61000-4-5 | Level 3 Criteria A ¹⁾ Common Mode ²⁾ : 2kV Differential Mode ³⁾ : 2kV |
| Conducted | IEC 61000-4-6 | Level 3 Criteria A ¹⁾ 150kHz-80MHz, 10Vrms |
| Power Frequency Magnetic Fields | IEC 61000-4-8 | Criteria A ¹⁾ 10A/Meter |
| Voltage Dips and Interruptions | IEC 61000-4-11 | 100% dip; 1 cycle (20ms); Self Recoverable |
| Low Energy Pulse Test (Ring Wave) | IEC 61000-4-12 | Level 3 Criteria A ¹⁾ Common Mode ²⁾ : 2kV Differential Mode ³⁾ : 1kV |
| Harmonic Current Emission | | IEC/EN 61000-3-2, Class A |
| Voltage Fluctuation and Flicker | | IEC/EN 61000-3-3 |

1) Criteria A: Normal performance within the specification limits

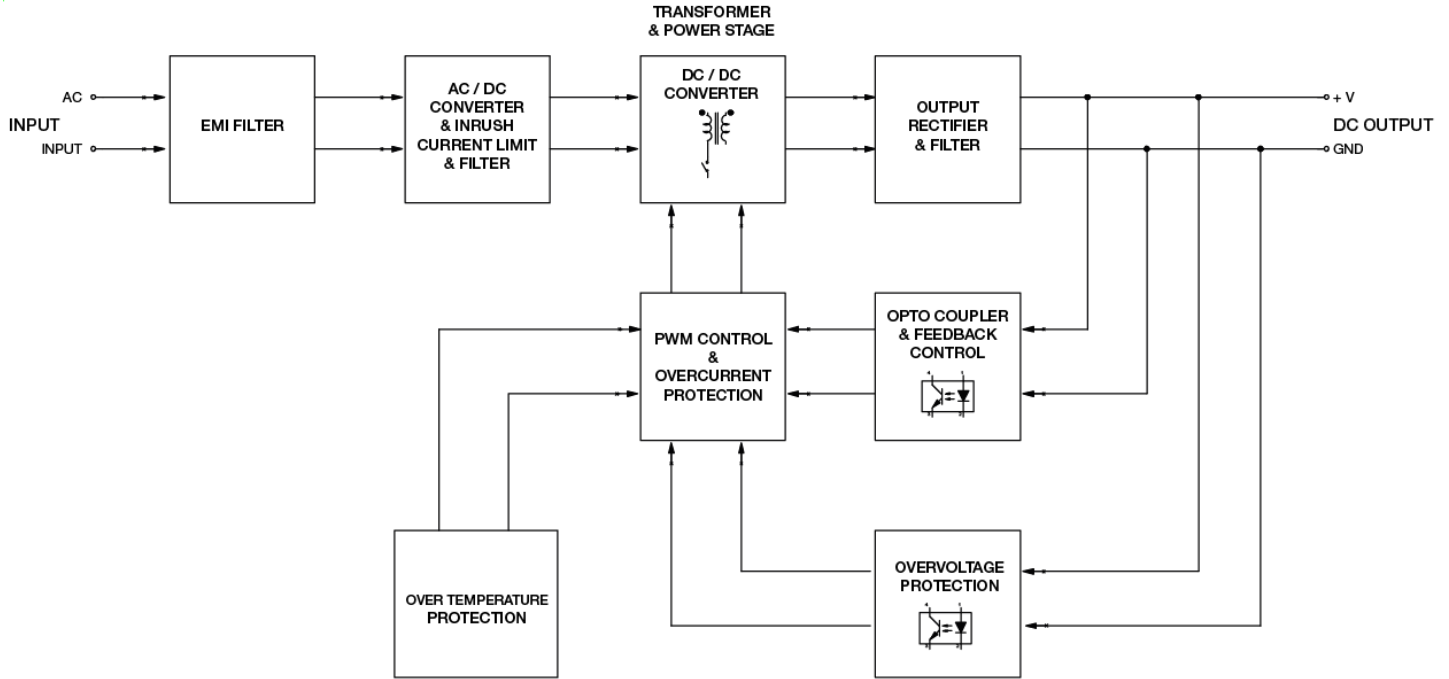
2) Asymmetrical: Common mode (Line to earth)

3) Symmetrical: Differential mode (Line to line)

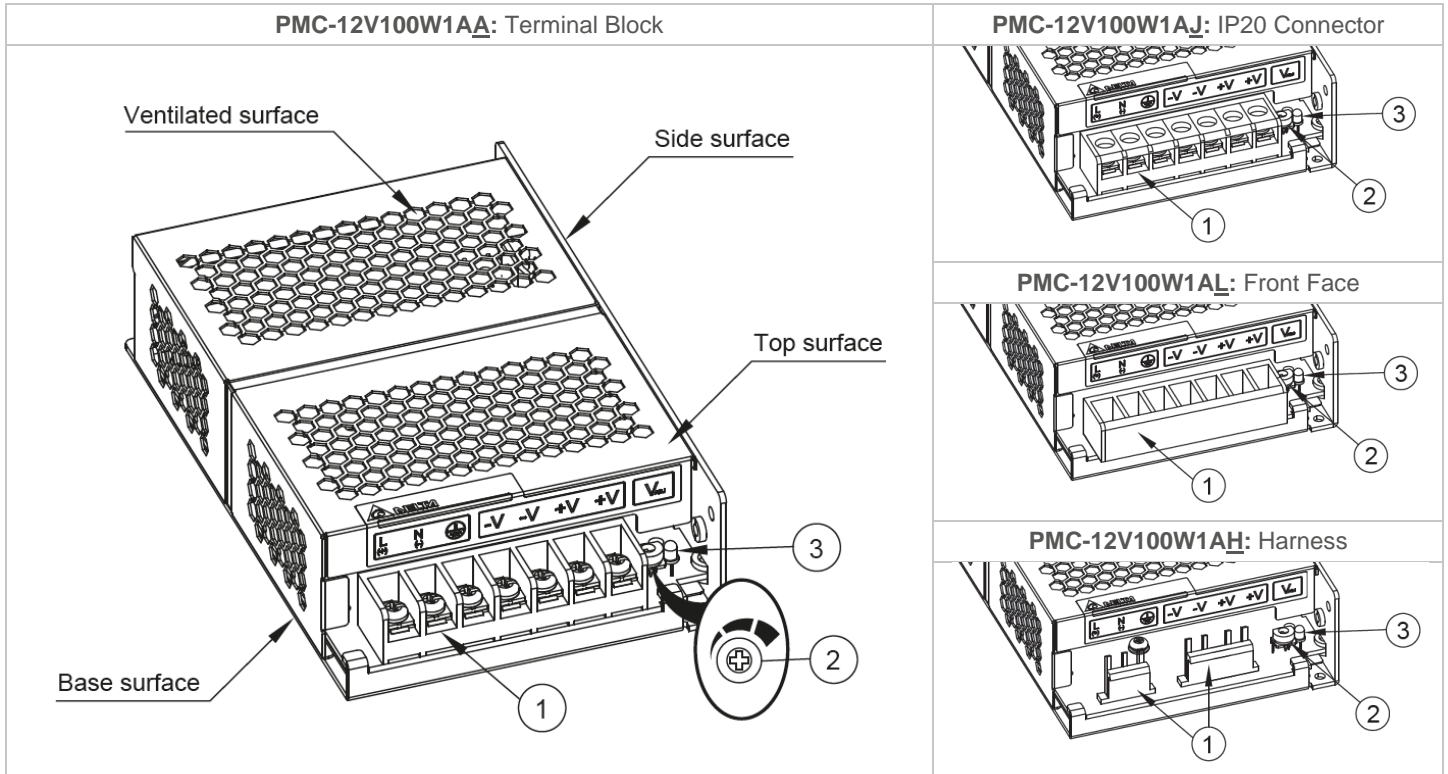
PMC Panel Mount Power Supply

12V 100W 1 Phase / PMC-12V100W1A□

Block Diagram



Device Description



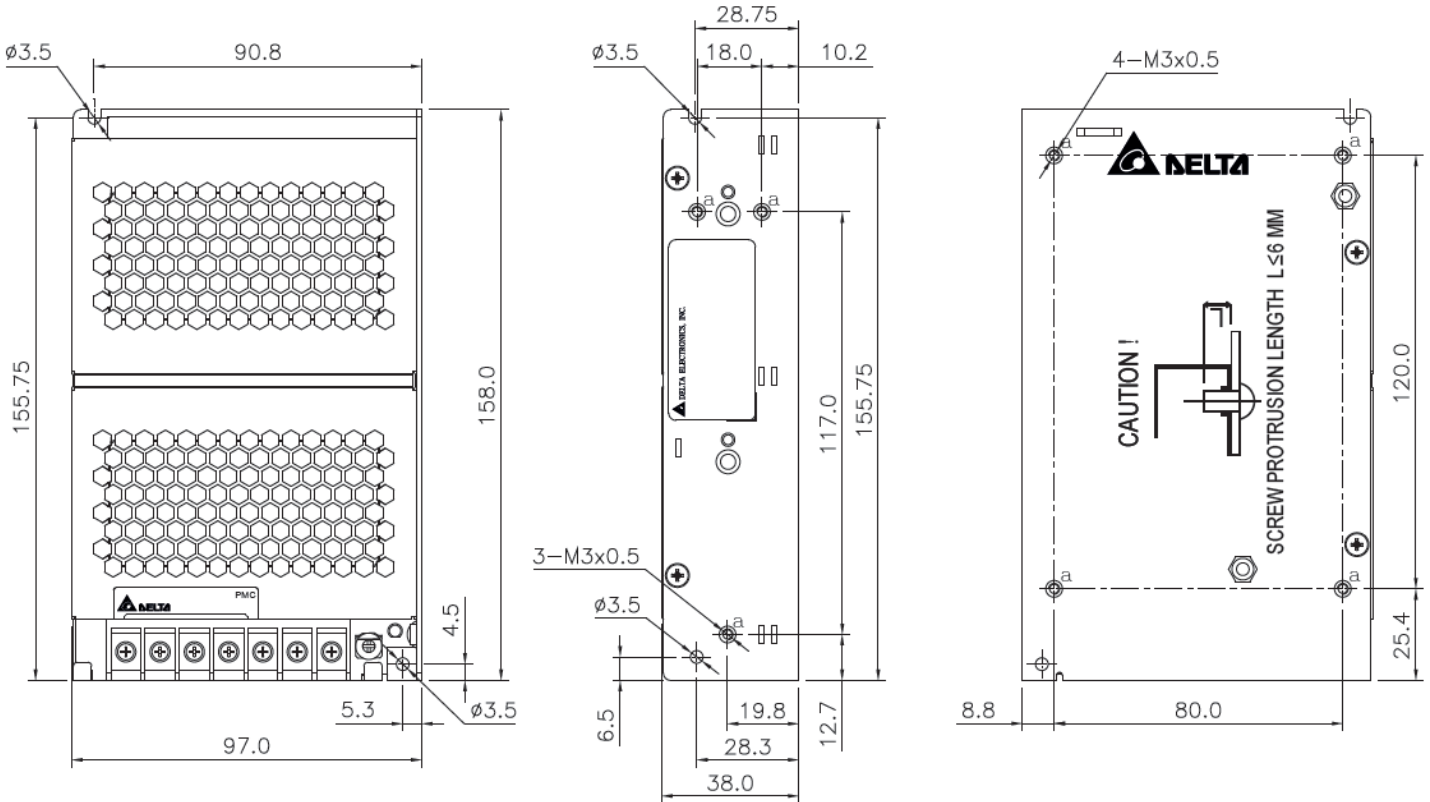
- 1) Input & Output terminal block connector
- 2) DC Voltage adjustment potentiometer
- 3) DC OK control LED (Green)

PMC Panel Mount Power Supply

12V 100W 1 Phase / PMC-12V100W1A□

Dimensions

L x W x D: 158 x 97 x 38 mm (6.22 x 3.82 x 1.50 inch) (PMC-12V100W1A□: Terminal Block)



Engineering Data

Output Load De-rating VS Surrounding Air Temperature

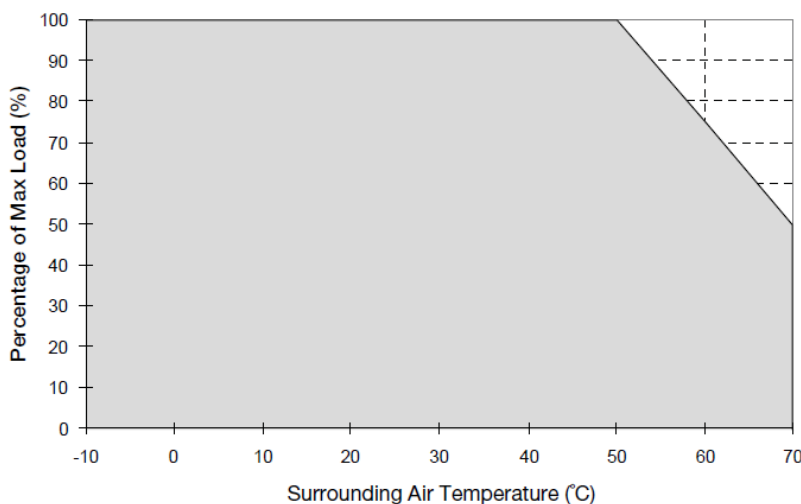


Fig. 1 De-rating for Vertical and Horizontal Mounting Orientation
 > 50°C de-rate power by 2.5% / °C

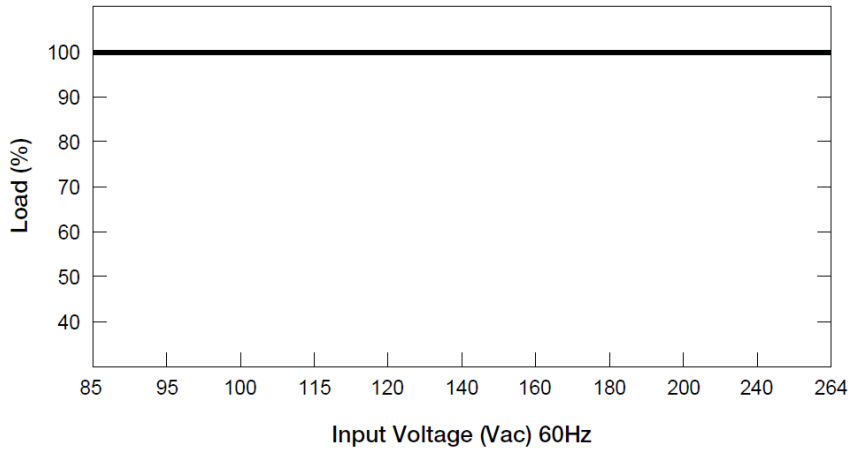
Note

1. Power supply components may degrade, or be damaged, when the power supply is continuously used outside the shaded region, refer to the graph shown in Fig. 1.
2. If the output capacity is not reduced when the surrounding air temperature exceeds its specification as defined on Page 3 under "Environment", the device may run into Over Temperature Protection. When activated, the output voltage will go into bouncing mode and will recover when the surrounding air temperature is lowered or the load is reduced as far as necessary to keep the device in working condition.
3. In order for the device to function in the manner intended, it is also necessary to keep a safety distance as recommended in the safety instructions while the device is in operation.
4. Depending on the surrounding air temperature and output load delivered by the power supply, the device housing can be very hot!
5. If the device has to be mounted in any other orientation, please contact info@deltapsu.com for more details.

PMC Panel Mount Power Supply

12V 100W 1 Phase / PMC-12V100W1A□

Output Load De-rating VS Input Voltage

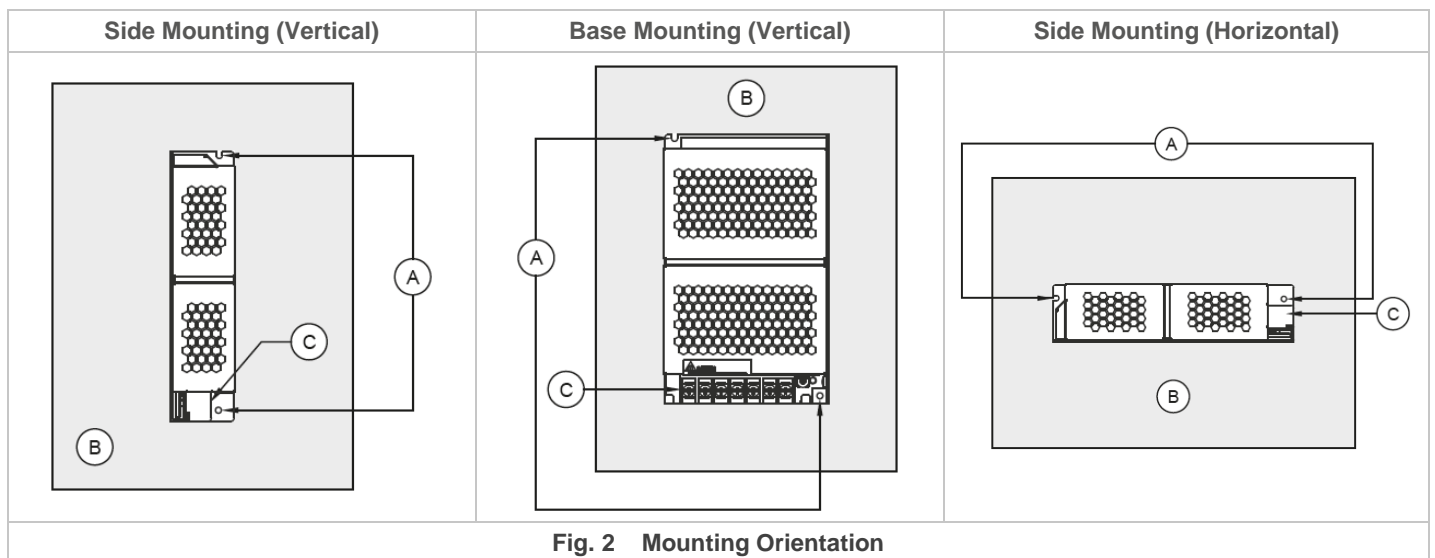


■ No output power de-rating across the entire input voltage range

Assembly & Installation

Mounting

- Ⓐ Mounting holes for power supply assembly onto the mounting surface.
Power supply shall be mounted on minimum 2 mounting holes using M3 screw minimum 5 mm (0.20 inch) length.
- Ⓑ This surface belongs to customer's end system or panel where the power supply is mounted.
- Ⓒ Connector.



- Use flexible cable (stranded or solid) with the following sizes:

| PMC-12V100W1AA | PMC-12V100W1AJ | PMC-12V100W1AL |
|----------------|----------------|----------------|
| AWG 22-14 | AWG 22-12 | AWG 22-12 |

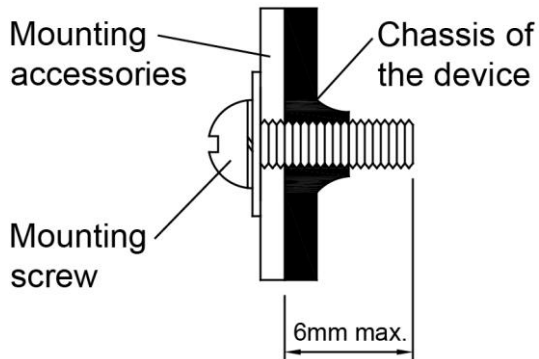
- PMC-12V100W1AA / PMC-12V100W1AJ / PMC-12V100W1AL: The torque at the Connector shall not exceed 13 Kgf.cm (11.23 lbf.in). The insulation stripping length should not exceed 0.275" or 7 mm.
- PMC-12V100W1AH: Please refer the table below for the recommended mating connector, terminal and AWG wire size.

| | Power Supply Header | Mating Connector | Terminal | AWG |
|--------------|-------------------------|------------------|--------------|-------|
| Input (JST) | B3P(6-2.3.5)-VH(LF)(SN) | VHR-6N | SVH-21T-P1.1 | 22-18 |
| Output (JST) | B4P7-VH(LF)(SN) | VHR-7N | SVH-21T-P1.1 | 22-18 |

PMC Panel Mount Power Supply

12V 100W 1 Phase / PMC-12V100W1A□

Installation of Mounting Accessories

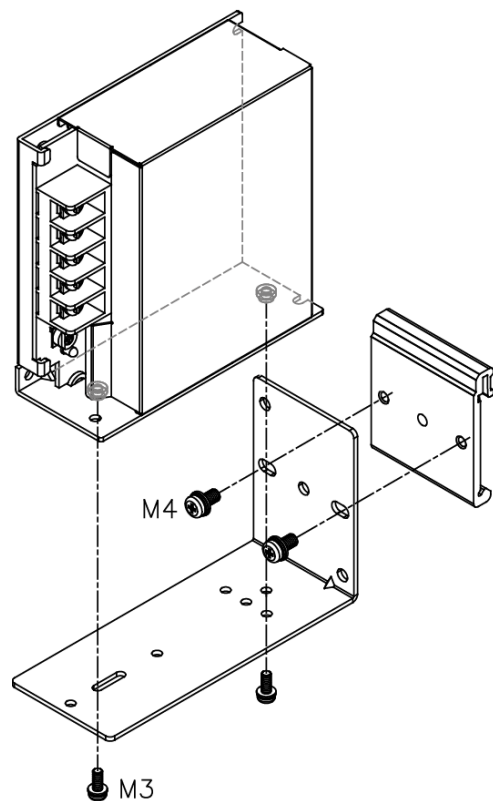


- Only use M3 screw ≤ 6 mm (0.24 inch) through the base mounting holes. This is to keep a safety distance between the screw and internal components.
- Recommended mounting tightening torque: 4~8Kgf.cm (3.47~6.94 lbf.in).

Safety Instructions

- To ensure sufficient convection cooling, always maintain a safety distance of > 20 mm (0.79 inch) from all ventilated surfaces while the device is in operation.
- The device is not recommended to be placed on low thermal conductive surface, for example, plastics.
- Note that the enclosure of the device can become very hot depending on the ambient temperature and load of the power supply. Do not touch the device while it is in operation or immediately after power is turned OFF. Risk of burning!
- Do not touch the terminals while power is being supplied. Risk of electric shock.
- Prevent any foreign metal, particles or conductors to enter the device through the openings during installation. It can cause: -
- Electric shock; Safety Hazard; Fire; Product failure
- Warning: When connecting the device, secure Earth connection before connecting L and N. When disconnecting the device, remove L and N connections before removing the Earth connection.

Accessories



L-02: Latch
P-03: Bracket

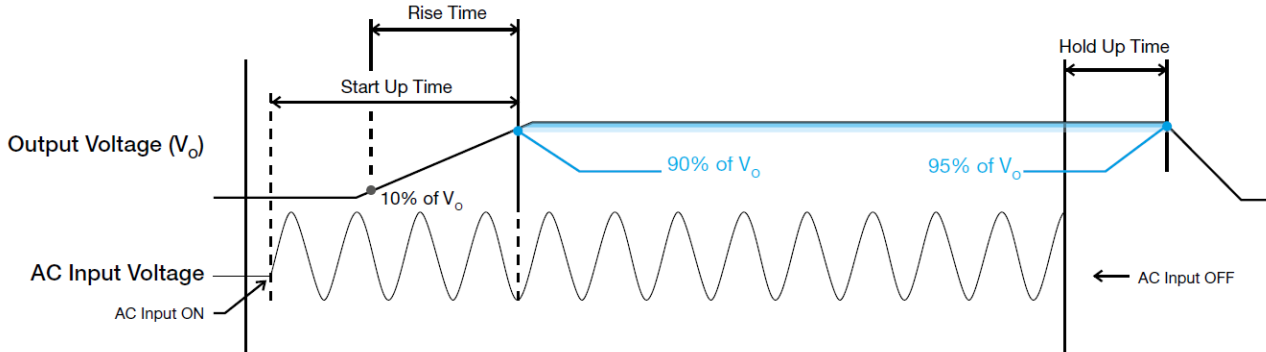
These accessories are used to mount the panel mount power supply onto a DIN rail.

PMC Panel Mount Power Supply

12V 100W 1 Phase / PMC-12V100W1A□

Functions

- Graph illustrating the Start-up Time, Rise Time, and Hold-up Time



Start-up Time

The time required for the output voltage to reach 90% of its final steady state set value, after the input voltage is applied.

Rise Time

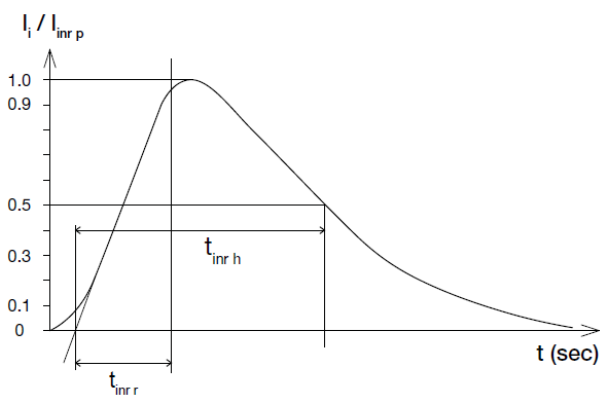
The time required for the output voltage to change from 10% to 90% of its final steady state set value.

Hold-up Time

Time between the collapse of the AC input voltage, and the output falling to 95% of its steady state set value.

Inrush Current

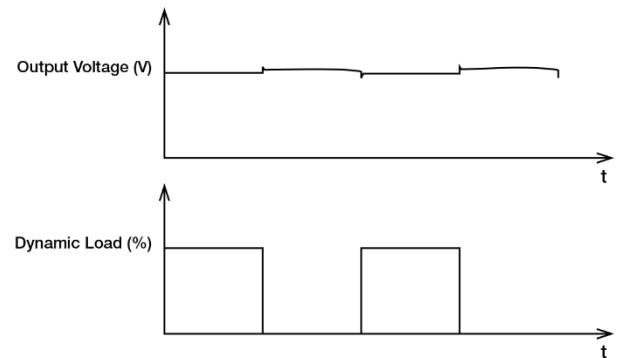
Inrush current is the peak, instantaneous, input current measured and, occurs when the input voltage is first applied. For AC input voltages, the maximum peak value of inrush current will occur during the first half cycle of the applied AC voltage. This peak value decreases exponentially during subsequent cycles of AC voltage.



Dynamic Response

The power supply output voltage will remain within $\pm 5\%$ of its steady state value, when subjected to a dynamic load from 0% to 100%.

- 50% duty cycle / 5Hz

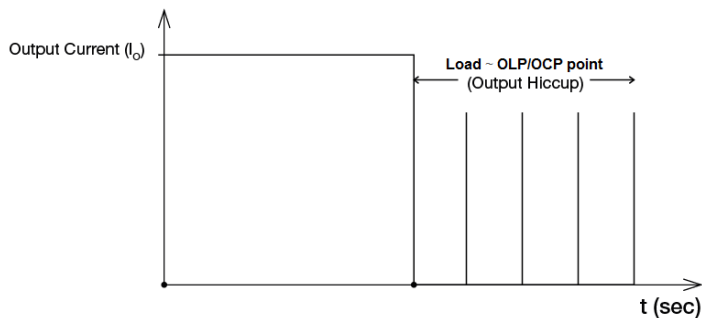


PMC Panel Mount Power Supply

12V 100W 1 Phase / PMC-12V100W1A□

Overload & Overcurrent Protections (Auto-Recovery)

The power supply's Overload (OLP) and Over current (OCP) Protections will be activated when output current (I_o) exceeds its specification as defined on Page 3 under "Protections. In such occurrence, the output voltage (V_o) will start to droop and once the power supply has reached its maximum power limit, the protection is activated and the power supply will go into "Hiccup mode" (Auto-Recovery). The power supply will recover once the fault condition of the OLP and OCP is removed and I_o is back within the specifications.



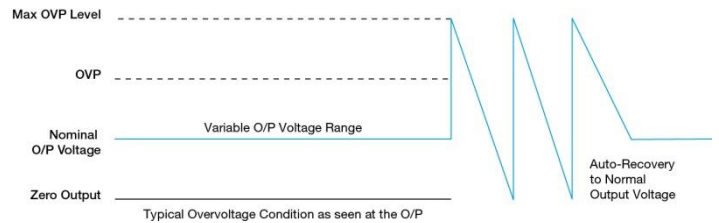
It is not recommended to prolong the duration of I_o when it is less than OLP/OCP point, but greater than 100%, since it may cause damage to the PSU.

Short Circuit Protection (Auto-Recovery)

The power supply's output OLP/OCP function also provides protection against short circuits. When a short circuit is applied, the output current will operate in "Hiccup mode", as shown in the illustration in the OLP/OCP section on this page. The power supply will return to normal operation after the short circuit is removed.

Overvoltage Protection (Auto-Recovery)

The power supply's overvoltage circuit will be activated when its internal feedback circuit fails. The output voltage shall not exceed its specifications defined on Page 3 under "Protections".



Over Temperature Protection (Auto-Recovery)

As described in load de-rating section, the power supply also has Over Temperature Protection (OTP). In the event of a higher operating temperature at 100% load, the power supply will run into OTP when the operating temperature is beyond what is recommended in the de-rating graph. When activated, the output voltage will go into bouncing mode until the temperature drops to its normal operating temperature as recommended in the de-rating graph.

PMC Panel Mount Power Supply

12V 100W 1 Phase / PMC-12V100W1A□

Operating Mode

■ Parallel Operation

The power supply units (PSUs) can also be used for parallel operation in order to increase the output power. The difference in output voltage between the two units must be kept to within 25mV of each other. This difference must be verified with the same output load connected independently to each unit.

Parameters such as EMI, inrush current, leakage current, PARD, start up time will be different from those on the datasheet, when two units are connected in parallel. The user will need to verify that any differences will still allow the two power supplies connected in parallel will work properly in their product/application.

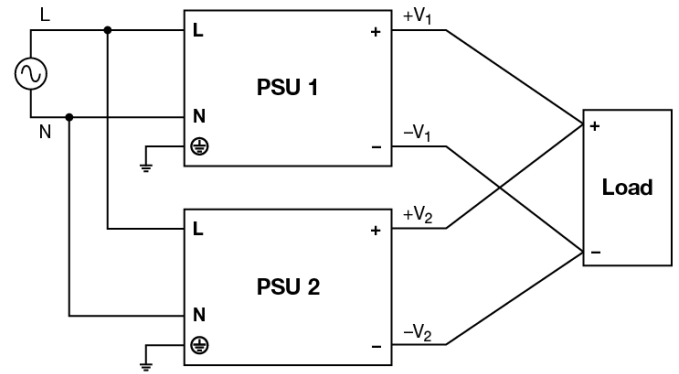


Fig. 3 Parallel Operation Connection Diagram

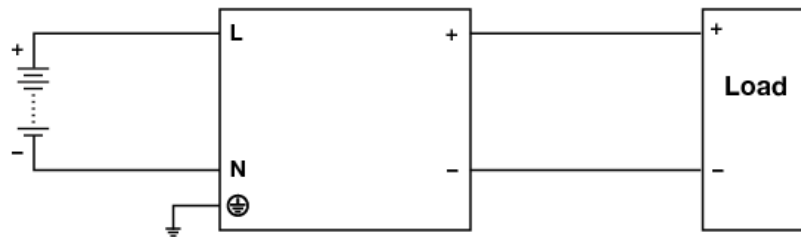


Fig. 4 DC Input Operation Connection Diagram

■ DC Input Operation

Step 1.
Use a battery or similar DC source.

Step 2.
Connect +pole to L and -pole to N.

Step 3.
Connect the PE terminal to an earth wire or to the machine ground.

PMC Panel Mount Power Supply

12V 100W 1 Phase / PMC-12V100W1A□

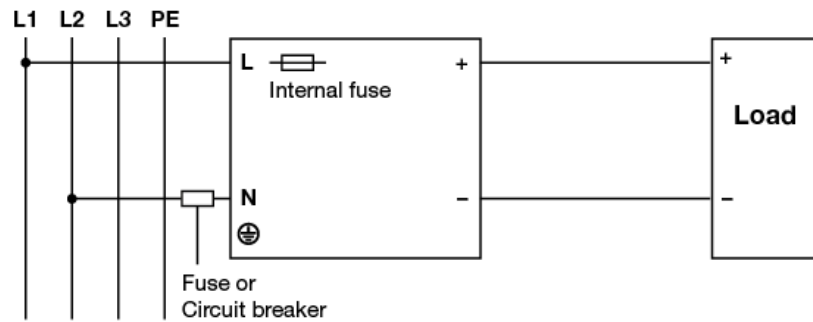


Fig. 5 2 of 3 Phase System Input Operation Connection Diagram

■ 2 of 3 Phase System Input Operation

Delta's PMC can use on 2 of 3 phase system. Please refer to the following step.

Step 1.

The input voltage applied from Line to Neutral is below the maximum rated input. The input voltage shall be below 240Vac +10%.

Step 2.

The external protector is needed on N (Neutral) input line to secure a safety. N line does not have internal fuse protection. An appropriate fuse or circuit breaker should be connected in series with N input line connection like the following.

Others

Delta RoHS Compliant



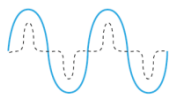
Restriction of the usage of hazardous substances

The European directive 2011/65/EU limits the maximum impurity level of homogeneous materials such as lead, mercury, cadmium, chrome, polybrominated flame retardants PBB and PBDE for the use in electrical and electronic equipment. RoHS is the abbreviation for "Restriction of the use of certain hazardous substances in electrical and electronic equipment".

This product conforms to this standard.

PFC – Norm EN 61000-3-2

Line Current Harmonic content



Typically, the input current waveform is not sinusoidal due to the periodical peak charging of the input capacitor. In industrial environment, complying with EN 61000-3-2 is only necessary under special conditions. Complying to this standard can have some technical drawbacks, such as lower efficiency as well as some commercial aspects such as higher purchasing costs. Frequently, the user does not profit from fulfilling this standard, therefore, it is important to know whether it is mandatory to meet this standard for a specific application.

Attention

Delta provides all information in the datasheets on an "AS IS" basis and does not offer any kind of warranty through the information for using the product. In the event of any discrepancy between the information in the catalog and datasheets, the datasheets shall prevail (please refer to www.DeltaPSU.com for the latest datasheets information). Delta shall have no liability of indemnification for any claim or action arising from any error for the provided information in the datasheets. Customer shall take its responsibility for evaluation of using the product before placing an order with Delta.

Delta reserves the right to make changes to the information described in the datasheets without notice.