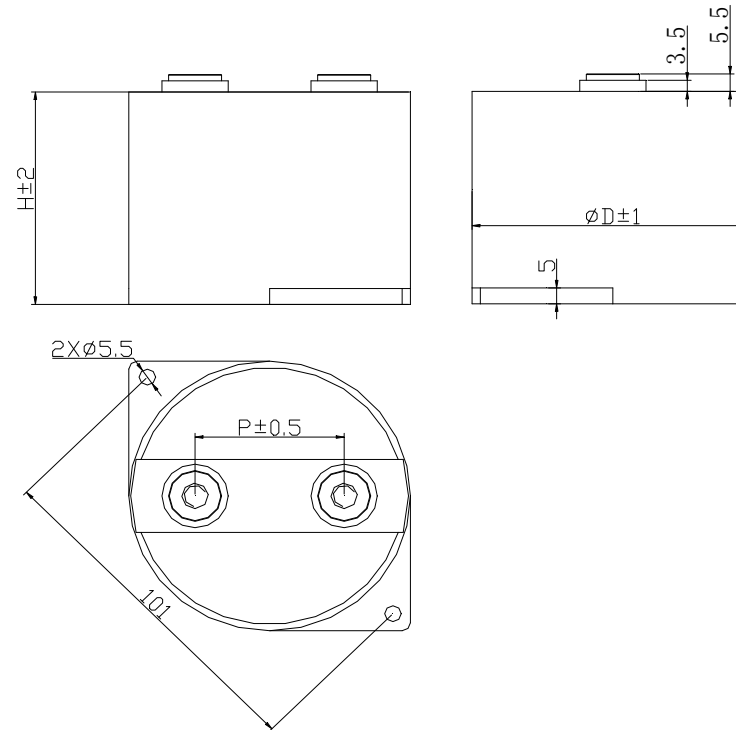



## C44 DC-Link capacitor

### Main technical parameters

Rated capacitance	Cn	76uF
Capacitance tolerance		±5%
Dielectric loss	tg δ 0	$2 \times 10^{-4}$ (25°C, 100HZ)
Dissipation Factor	tg δ	$\leq 10 \times 10^{-4}$ (25°C, 100HZ)
Rated voltage	Un	1500VDC
Maximum current	Imax	56A
Maximum peak current	Ip-p	900A
Series resistance	ESR	1.9m Ω
Self inductance	Ls	30nH
Failure quota	λ	100Fit
Operating Temperature Range	°C	-40~+85°C
Expected lifetime		100 000H
Max. Altitude	Alt	2000m
Reference Standard		IEC61071/IEC61881
<b>Test parameters</b>		
Between Terminals	Ut-t	1.5*Un 10S
Between Terminals and Case	Ut-c	1000+2Un(VAC)(10S) (Min3000VAC)
<b>Product process</b>		
Film		Metalized Polypropylene film
Case		Flame-retardant plastic case
Epoxy		Flame-retardant Epoxy-white
Electrode		M6×10 Tinned Copper Nuts



<b>Customer</b>		<b>Platan llc</b>						
<b>type</b>	<b>Size : mm</b>					<b>P/N</b>	<b>remark</b>	
	<b>D</b>	<b>H</b>	<b>P</b>	<b>Electrode mounting nut</b>	<b>tolerance</b>			
C44-76uF-1500V.DC	85	65	45	M8*15	±1	C4476668M9J3G83LCE		
<b>Approval by</b>	<b>Checked by</b>	<b>Made by</b>	<b>CUSTOMER CONFIRM</b>		 <b>Shenzhen Chuangshiding Electronics Co.,ltd.</b>			
<b>date</b>	2022/4/26		<b>date</b>	Tel:0755-29948886 29948363 Fax: 29948916 Http://www.csdcapacitor.com E-Mail:sales@csdcapacitor.com Address: Tower 3, NanTai YunChuang Valley, Tangwei, Fenghuang St, Guangming District, Shenzhen, 518107, China.				