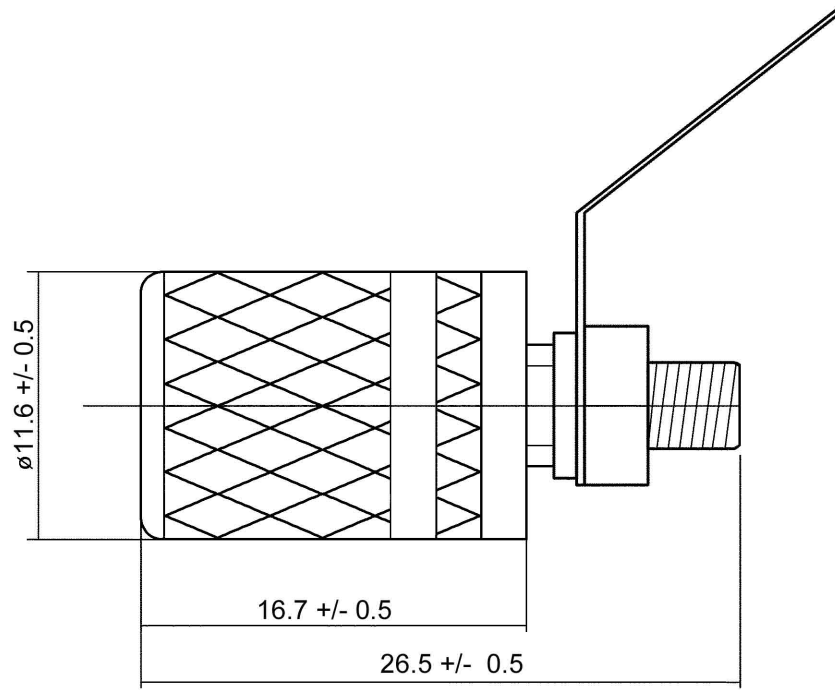


RoHS  
STANDARD  
Drawing For Reference Only



Technical requirement :

1. This product should meet EU RoHS related requirement.
2. The surface of plastic part should be without any crackle such as burr,lack,and so on phenomenon.
3. The surface of metal part should be without any defect such as scour,nick,oxidation and plating problem.
4. The electronic performance should be the same as spec.

**SPECIFICATION:**

CONATCT RESISTANCE: 10m OHM MAX  
INSULATION RESISTANCE: 100m OHM MIN AT DC 500V  
WITHSTAND VOLTAGE: AC 500V FOR ONE MINUTE.

**DCI** DRAGON CITY INDUSTRIES LIMITED

PART NAME	Binding Post	TOLERANCE : $\pm$
PART NO.	BP-301G-EN(HT)	UNIT: MM

DESIGN	K.W LAW	REMARK		SCALE	
DRAWING	W.K YEUNG	REMARK		MATERIAL	
CHECK	K.L WONG	REMARK		DWG. NO.	A610181130
APPROVAL	K.W CHAN	REMARK		SHEET	