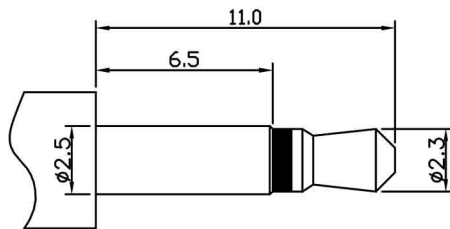
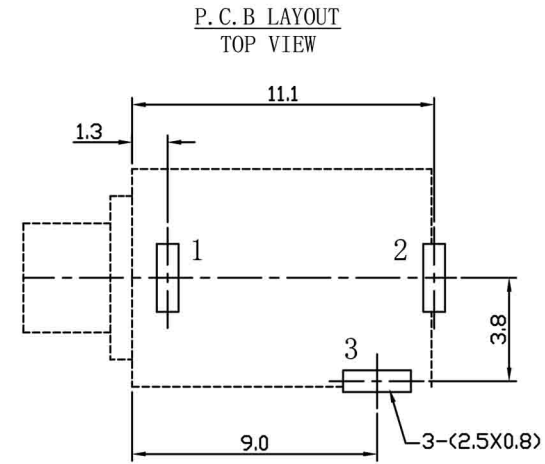
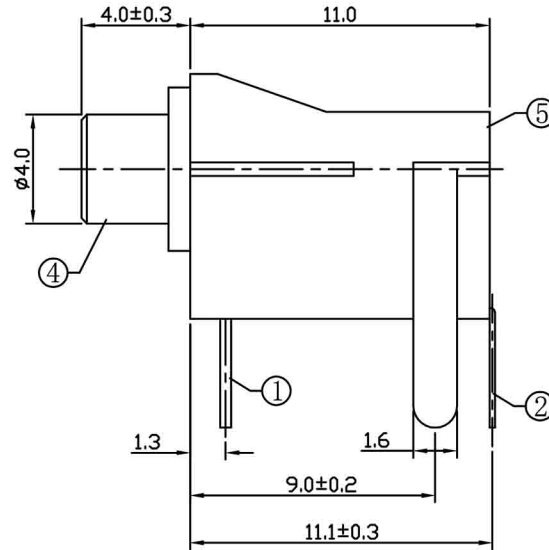
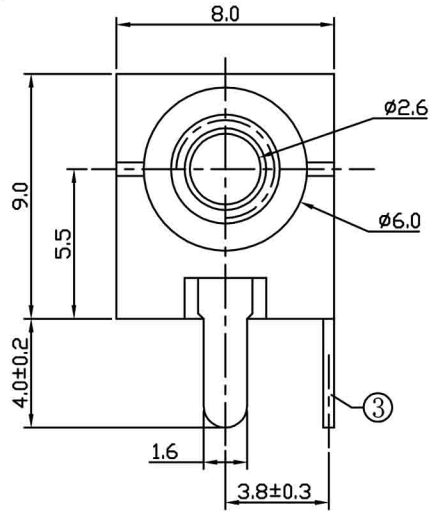
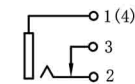


**RoHS  
Compliant  
Drawing For  
Reference Only**



φ 2.5MM 2-POLE PLUG

SCHEMATIC



SPECIFICATION:

1. Rating: DC 30V 0.5A.
2. Contact resistance:  $\leq 0.03 \Omega$ .
3. Insulation resistance:  $\geq 100M \Omega$  (DC250V).
4. Withstand voltage: 500VAC.
5. Insertion and extraction force: 3-20N.
6. Life test: 5,000 cycles.

Technical requirement :

1. This product should meet EU RoHS related requirement.
2. The surface of plastic part should be without any crackle such as burr,lack,and so on phenomenon.
3. The surface of metal part should be without any defect such as scour,nick,oxidation and plating problem.
4. The electronic performance should be the same as spec.

TOLERANCE		NO.	DESCRIPTION	MATERIAL	Q'TY	REMARKS
		5	Housing	PBT	1	Black
		4	Axis support	Brass	1	Ni-Plated
UNDER 1	±0.05	3	Curve piece	Brass	1	Sn-Plated
1-10	±0.2	2	Spring Piece	SUS301	1	Sn-Plated
OVER 10	±0.3	1	Flat piece	Brass	1	Sn-Plated

**DCI DRAGON CITY INDUSTRIES LIMITED**

Item Name	2.5MM PHONE JACK	Tolerance :	Design	K.W Law	Remark	Scale
Item No.	PY-401N-NB	Unit : mm	Drawing	W.K Yeung	Remark	Material
			Check	K.L Wong	Remark	Drawing No. B011171350
			Approval	K.W Chan	Remark	Sheet