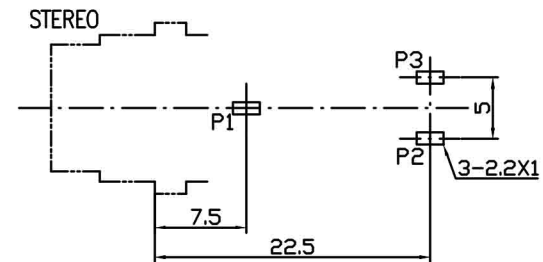
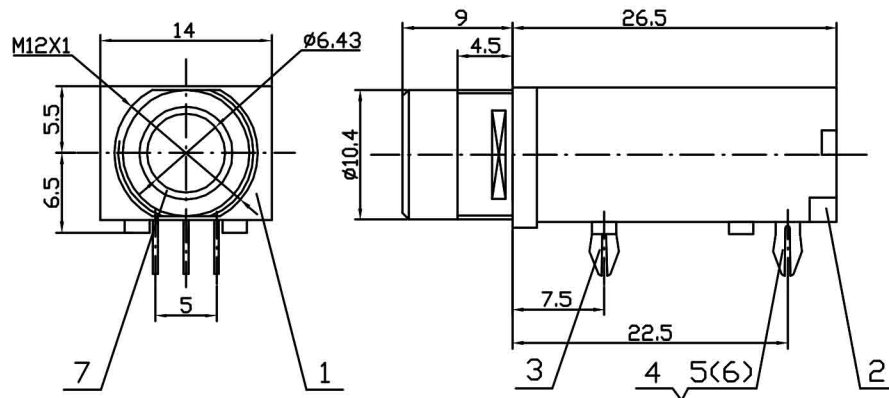
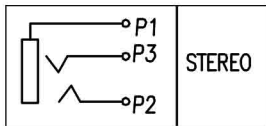


**RoHS
Compliant
Drawing For
Reference Only**



RECOMMEND PCB LAYOUT
(JACK TOP VIEW)
TOLERANCE: $\pm 0.05\text{mm}$
RECOMMEND PCB THICKNESS: 1.6mm



NOTE:

- 1.ELECTRICAL CHARACTERISTICS:
 - 1-1. RATING: 50V DC, 1A
 - 1-2. CONTACT RESISTANCE: 30m Ω Max
 - 1-3. INSULATION RESISTANCE: 50M Ω Min(DC500V)
 - 1-4. WITHSTANDING VOLTAGE: AC500V(50Hz)1Min
- 2.MECHANICAL CHARACTERISTICS:
 - 2-1: TOTAL INSERTION: 35N Max
 - 2-2: WITHDRAWAL FORCE: 0.8N~35N
 - 2-3: DURABILITY: 5000 CYCLES
- 3.ENVIRONMENTAL:
 - OPERATING TEMPERATURE: $-40^{\circ}\text{C} \sim +70^{\circ}\text{C}$
 - STORAGE TEMPERATURE: $-40^{\circ}\text{C} \sim +70^{\circ}\text{C}$
- 4.PART MUST COMPLY EU ROHS SPECIFICATION.

Technical requirement :

1. This product should meet EU RoHS related requirement.
2. The surface of plastic part should be without any crackle such as burr,lack,and so on phenomenon.
3. The surface of metal part should be without any defect such as scour,nick,oxidation and plating problem.
4. The electronic performance should be the same as spec.

7	INNER CONDUCTOR	1	BRASS	Ni
6	P4# CONTACT	1	BRASS	Ag
5	P3# CONTACT	1	PHOSPHOR BRONZE	Ag
4	P2# CONTACT	1	PHOSPHOR BRONZE	Ag
3	P1# CONTACT	1	PHOSPHOR BRONZE	Ag
2	BACK COVER	1	ABS/PBT	BLACK/RED
1	HOUSING	1	ABS/PBT	BLACK
NO.	DESCRIPTION	QTY	MATERIAL	PLATING & COLOR

DCI DRAGON CITY INDUSTRIES LIMITED

Design

K.W Law

Remark

Scale

Drawing

W.K Yeung

Remark

Material

Item Name

6.3MM PHONE JACK(STEREO)

Tolerance :

Check

K.L Wong

Remark

Drawing No.

B306081125

Item No.

ST-008S-04

Unit : mm

Approval

K.W Chan

Remark

Sheet