

0.1" Pitch SPDT PCB Changeover Switch

ESP SERIES



ESP10XX



ESP20XX



ESP30XX



ESP40XX

FEATURES

- The distance of 2 adjacent pins or stacked devices is 2.54 mm pitch
- All plastics are UL 94V-O grade fire retardant
- Low contact resistance and long mechanical life, suitable for signal switching and communication equipments

APPLICATIONS

- Measuring point changeover switches
- Service switch
- Controls for consumer devices

SPECIFICATIONS

SPDT TYPE (ESP10,20,30,40 Series)

ELECTRICAL CHARACTERISTICS

Contact rating	0.2A, 24VDC; 0.5A, 12VDC
Minimum contact rating	1mA, 10mV
Contact resistance	Initial: 50mΩ Max. After life test: 100mΩ Max.
Dielectric strength	2mA, 500VDC for 60sec.
Capacitance	1.5pF Max.
Insulation resistance	10000MΩ Min. under 500VDC
Mechanical life	5000 operations

GENERAL CHARACTERISTICS

Temperature range	operating: -25°C ~ +70°C
	storage: -40°C ~ +85°C
Solder temperature	230°C for 3 sec.
Vibration	normal operation at 10Hz to 60Hz, 1.5mm movement
Salt spray	35°C, 5% for 24 hours

Reflow soldering heat for
SMT type (reference)



PART NUMBERING SYSTEM

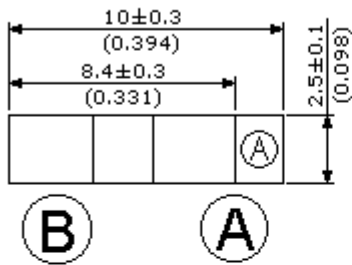
<u>ESP</u>	<u>XX</u>	<u>XX</u>	<u>XX</u>
			+--- XX:Special product number
			+--- Material type:
			10:Standard version(Blue)
			20:Tropical version(Black)
			KD:Tape & Reel Package
			(For ESP40 series only)
			+--- Terminal:
			10:Straight type
			20:Right angle type
			30:Stand V-type surface mount
			(Tropical version only)
			40:Gull wing type surface mount
			(Tropical version only)
			+--- Series name:
			ESP:SLIDE SWITCH FOR P.C.B.

DIMENSIONS

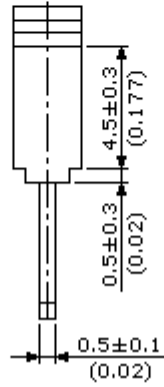
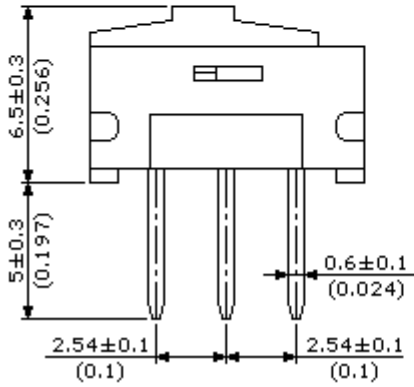
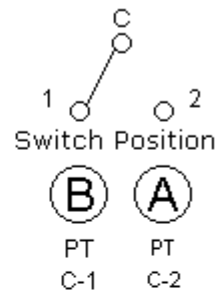
● Straight terminals

DIMENSIONS UNIT: mm(inch)

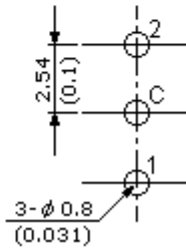
P/N:ESP10XX



CIRCUIT DIAGRAM



P.C.B. LAYOUT



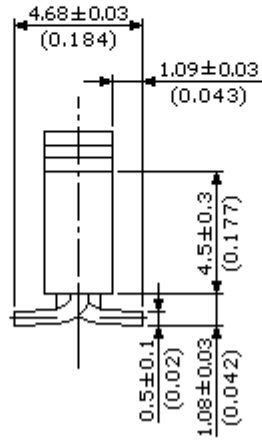
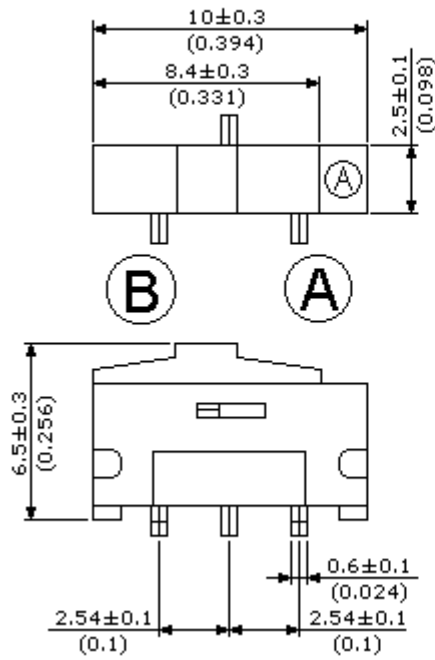
● Right angle terminals



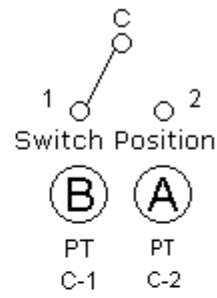
● Stand V-type surface mount

DIMENSIONS UNIT: mm(inch)

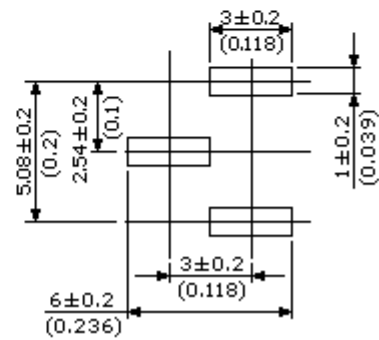
P/N:ESP30XX



CIRCUIT DIAGRAM



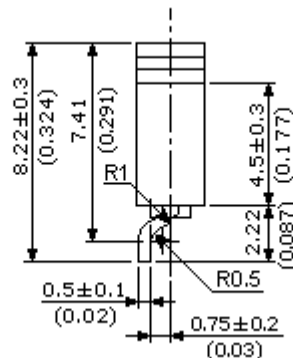
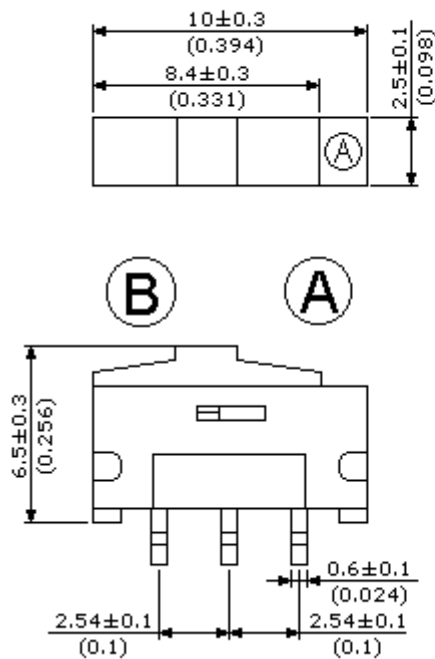
P.C.B. LAYOUT



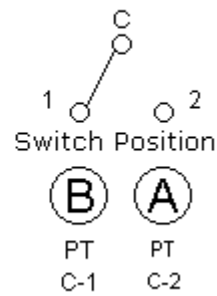
Gull wing type surface mount

DIMENSIONS UNIT: mm(inch)

P/N:ESP40XX



CIRCUIT DIAGRAM



P.C.B. LAYOUT

