



SPECIFICATION FOR APPROVAL

CUSTOMER: Platan

EVERCOOL MODEL NO: EC12025LL12SA-GR

CUSTOMER MODEL NO: CLR12025LL12SA-GR

DESCRIPTION: DC12V FAN

APPROVED BY (AUTHORISED)	APPROVED
	Alex
	CHECKED
	Xiongwei
	DRAWN
	Chenjie
	SALES
	Serene

* Please confirm your acceptance by return fax or mail.

SPEC NO	ISSUE DATE	EDITION	REVISED DATE
20231023G15	2023/10/23	A0(F2)	2023/10/23

THE PRODUCTION ACCORD WITH EUROPE UNION ROHS STANDARD

EVERCOOL THERMAL CO., LTD

NO. 123-8, HSING DE RD., SAN-CHUNG CITY,
TAIPEI HSIEN, TAIWAN, R.O.C.

TEL: 886-2-8512-2889 FAX: 886-2-8512-2890

[URL:www.evercool.com.tw](http://www.evercool.com.tw)

[EMAIL: coolest@ms14.hinet.net](mailto:coolest@ms14.hinet.net)

I. GENERAL SPECIFICATION

Item	Specification
1.Part NO.	EC12025LL12SA-GR
2.Outline Dimension	120*120*25
3.Rated Voltage	12 VDC
4.Starting Voltage	7 VDC
5.Operating Voltage Range	7 VDC~ 13.2 VDC
6.Rated Current*	0.45 A
7.Rated Power Consumption*	5.4 W
8.Rated Speed*	1500 RPM±15%
9.Max. Airflow**	54.76 CFM(ft3/min)
10.Max. Static Pressure**	0.04 In-H2O
11.Noise Level***	<27.4 dB(A)
12.Life Expectancy	25000 hrs at 25°C
13.No of Polarity	4 Poles
14.Direction of Rotation	Counter-Clockwise

Noted:

***Input Current Speed Power Consumption**

Measured after continuous 30 minutes operation at rated voltage in free air at ambient temperature of 25 °C, 65% relative humidity

****Performance**

Measured with use of double chamber. The value are recorded when the fan speed is stabilized at rated voltage.

*****Noise Level**

Measured at rated voltage in a semi-anechoic chamber with background noise below than 20dB(A). The measuring distance is in one meter from microphone to inlet of the fan.

II. ELECTRICAL SPECIFICATION

Item		Specification
1.Polarity Protection	YES	Be capable of endurance when Vcc & GRD are exchanged
	✓NO	
2.Auto restart	YES	Locked motor protection
	✓NO	
3.Insulation Resistance		10MΩ/b/w unshielded wire and frame at 500 VDC/min
4.Dielectric Strength		5Ma Max./Measured b/w lead wire and frame at 500VAC/min

III. MAIN MATERIALS / PARTS SPECIFICATION

Item	Specification					
1.Frame	Thermoplastic PBT of UL 94V-0(BK) contain 25% PCR content					
2.Impeller	Thermoplastic PC (Transparent)					
3.Bobbin	Thermoplastic PBT of UL 94V-0(BK)					
4.Bearing		Dual ball bearing				
		1 ball & 1 sleeve bearing				
	✓	Sleeve bearing				
		EL bearing				
5.Lead wire	✓	Black (+)	UL#	1007	26	AWG
	✓	Black (-)	UL#	1007	26	AWG
	✓	Black(FG)	UL#	1007	26	AWG
6.Connector	2510-3P(黑色壳) 转大四PIN(黑色壳四针两开)					

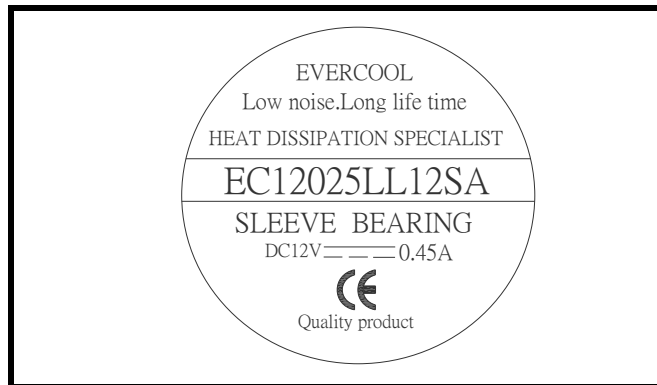
IV. ENVIRONMENT SPECIFICATION

Item	Specification
1.Operation Temperature	-10℃~+70℃/66%(RH), high / low temperature test for 24 hours, temperature change: 30℃/hours.
2.Storage Temperature	-40℃~+70℃/66%(RH), high / low temperature test for 24 hours, temperature change: 30℃/hours.

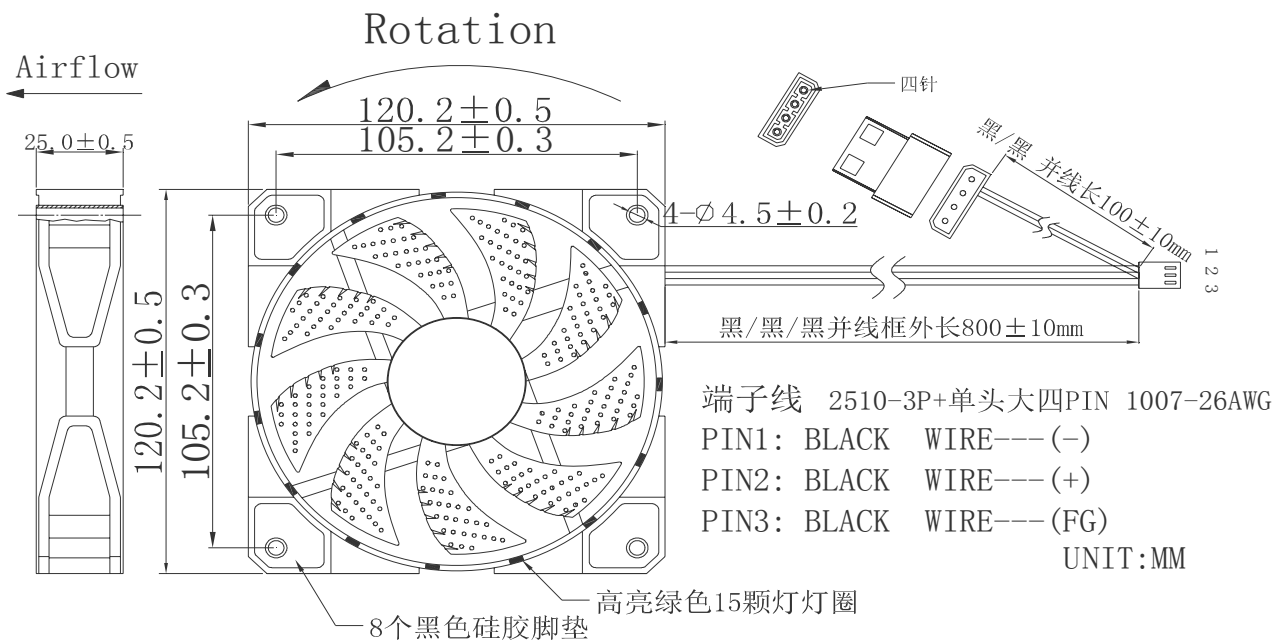
V. DROPPING TEST

Prepared in minimum packing condition, fan will withstand one drop each on three surfaces from 30 cm height onto a 10mm thick hard wooden board.

VI. LABEL MARKING

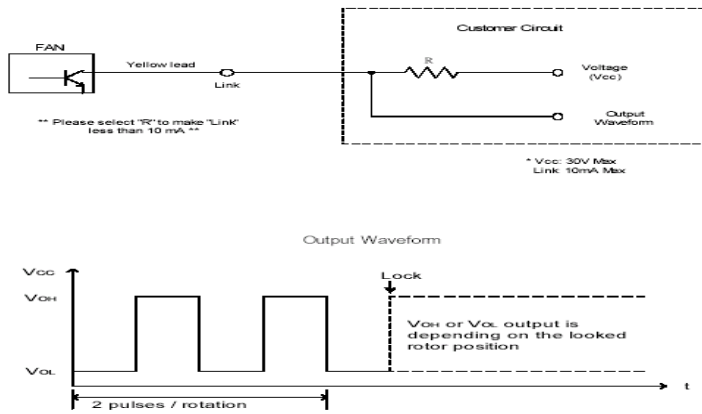


VII. OUTLINE DIMENSION

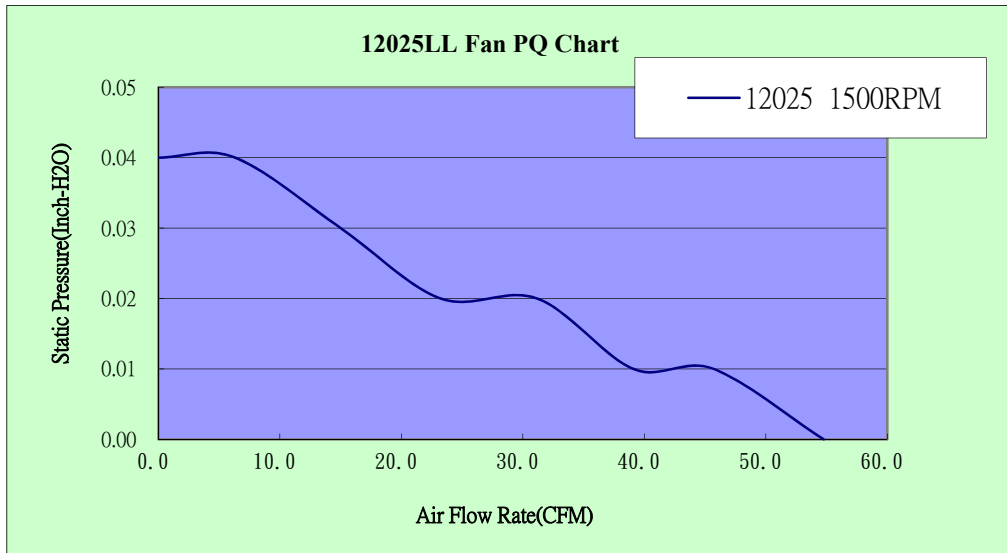


VIII. Sensor Curcuit System

Speed Sensor / Tachometer (FG/F)



IX. P/Q Performance



	Q(cfm)	Ps(InchH2o)
1	0.000	0.040
2	6.338	0.040
3	15.011	0.030
4	23.238	0.020
5	31.199	0.020
6	39.099	0.010
7	45.696	0.010
8	54.765	0.000