



## SPECIFICATION FOR APPROVAL

**CUSTOMER:** Platan

**EVERCOOL MODEL NO:** EC12025LL12SA-RD

**CUSTOMER MODEL NO:** CLR12025LL12SA-RD

**DESCRIPTION:** DC12V FAN

<b>APPROVED BY (AUTHORISED)</b>	<b>APPROVED</b>
	<b>Alex</b>
	<b>CHECKED</b>
	<b>Xiongwei</b>
	<b>DRAWN</b>
	<b>Chenjie</b>
	<b>SALES</b>
	<b>Serene</b>

\* Please confirm your acceptance by return fax or mail.

SPEC NO	ISSUE DATE	EDITION	REVISED DATE
20231023G16	2023/10/23	A0(F2)	2023/10/23

THE PRODUCTION ACCORD WITH EUROPE UNION ROHS STANDARD

### EVERCOOL THERMAL CO., LTD

NO. 123-8, HSING DE RD., SAN-CHUNG CITY,  
TAIPEI HSIEN, TAIWAN, R.O.C.

TEL: 886-2-8512-2889 FAX: 886-2-8512-2890

[URL:www.evercool.com.tw](http://www.evercool.com.tw)

[EMAIL: coolest@ms14.hinet.net](mailto:coolest@ms14.hinet.net)

# I. GENERAL SPECIFICATION

Item	Specification
1.Part NO.	EC12025LL12SA-RD
2.Outline Dimension	120*120*25
3.Rated Voltage	12 VDC
4.Starting Voltage	7 VDC
5.Operating Voltage Range	7 VDC~ 13.2 VDC
6.Rated Current*	0.45 A
7.Rated Power Consumption*	5.4 W
8.Rated Speed*	1500 RPM±15%
9.Max. Airflow**	54.76 CFM(ft3/min)
10.Max. Static Pressure**	0.04 In-H2O
11.Noise Level***	<27.4 dB(A)
12.Life Expectancy	25000 hrs at 25°C
13.No of Polarity	4 Poles
14.Direction of Rotation	Counter-Clockwise

**Noted:**

**\*Input Current Speed Power Consumption**

Measured after continuous 30 minutes operation at rated voltage in free air at ambient temperature of 25 °C, 65% relative humidity

**\*\*Performance**

Measured with use of double chamber. The value are recorded when the fan speed is stabilized at rated voltage.

**\*\*\*Noise Level**

Measured at rated voltage in a semi-anechoic chamber with background noise below than 20dB(A). The measuring distance is in one meter from microphone to inlet of the fan.

## II. ELECTRICAL SPECIFICATION

Item		Specification
1.Polarity Protection	YES	Be capable of endurance when Vcc & GRD are exchanged
	✓NO	
2.Auto restart	YES	Locked motor protection
	✓NO	
3.Insulation Resistance		10MΩ/b/w unshielded wire and frame at 500 VDC/min
4.Dielectric Strength		5Ma Max./Measured b/w lead wire and frame at 500VAC/min

## III. MAIN MATERIALS / PARTS SPECIFICATION

Item	Specification					
1.Frame	Thermoplastic PBT of UL 94V-0(BK) contain 25% PCR content					
2.Impeller	Thermoplastic PC (Transparent)					
3.Bobbin	Thermoplastic PBT of UL 94V-0(BK)					
4.Bearing		Dual ball bearing				
		1 ball & 1 sleeve bearing				
	✓	Sleeve bearing				
		EL bearing				
5.Lead wire	✓	Black (+)	UL#	1007	26	AWG
	✓	Black (-)	UL#	1007	26	AWG
	✓	Black(FG)	UL#	1007	26	AWG
6.Connector	2510-3P(黑色壳) 转大四PIN(黑色壳四针两开)					

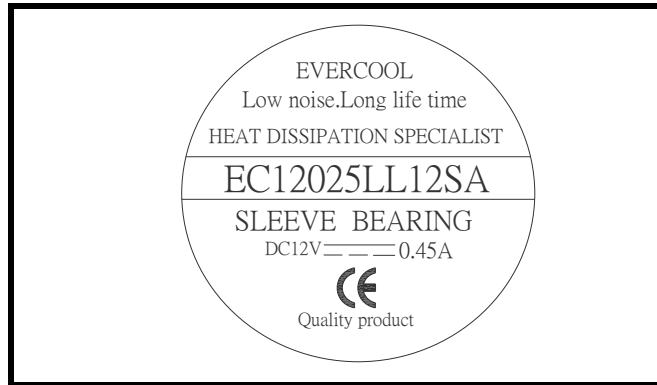
## IV. ENVIRONMENT SPECIFICATION

Item	Specification
1.Operation Temperature	-10℃~+70℃/66%(RH), high / low temperature test for 24 hours, temperature change: 30℃/hours.
2.Storage Temperature	-40℃~+70℃/66%(RH), high / low temperature test for 24 hours, temperature change: 30℃/hours.

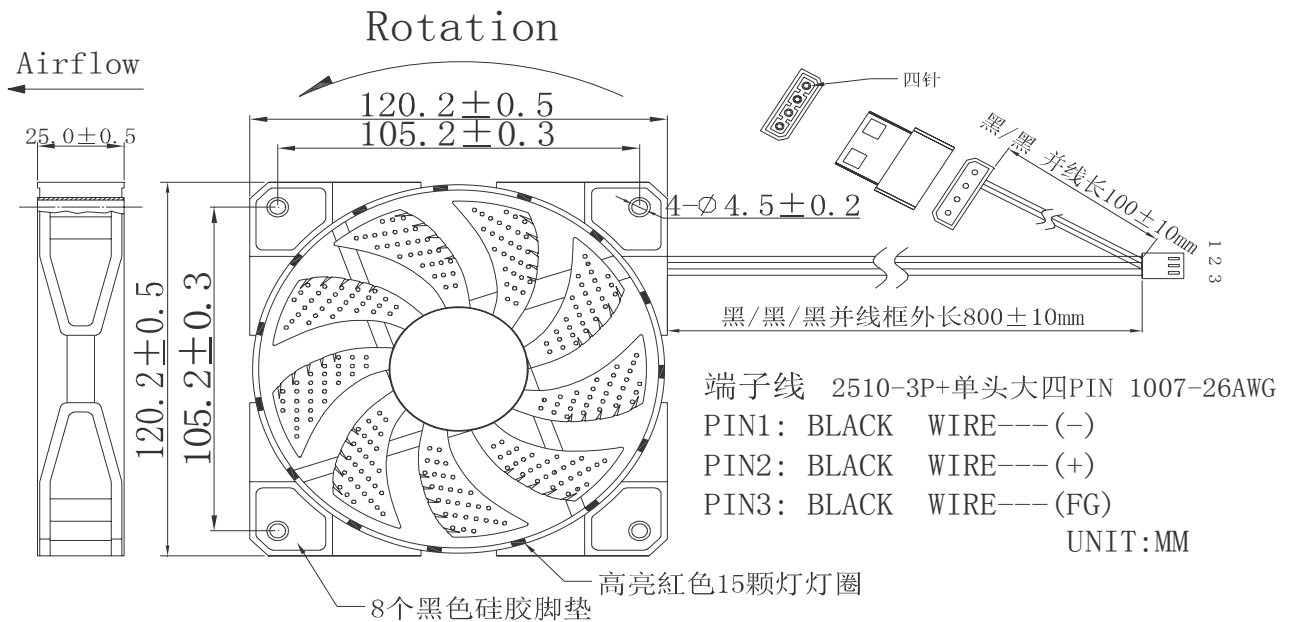
## V. DROPPING TEST

Prepared in minimum packing condition, fan will withstand one drop each on three surfaces from 30 cm height onto a 10mm thick hard wooden board.

## VI. LABEL MARKING

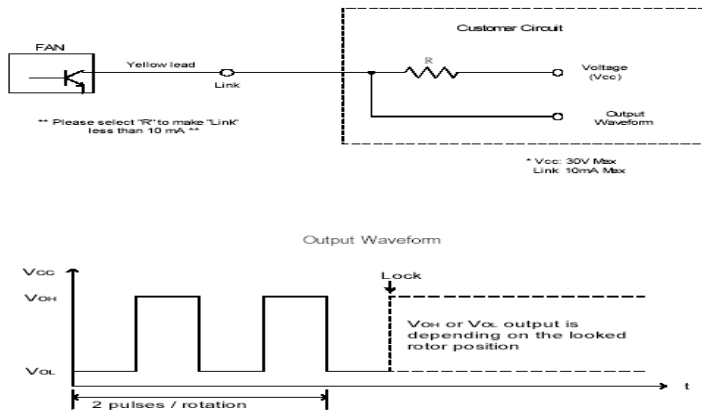


## VII. OUTLINE DIMENSION

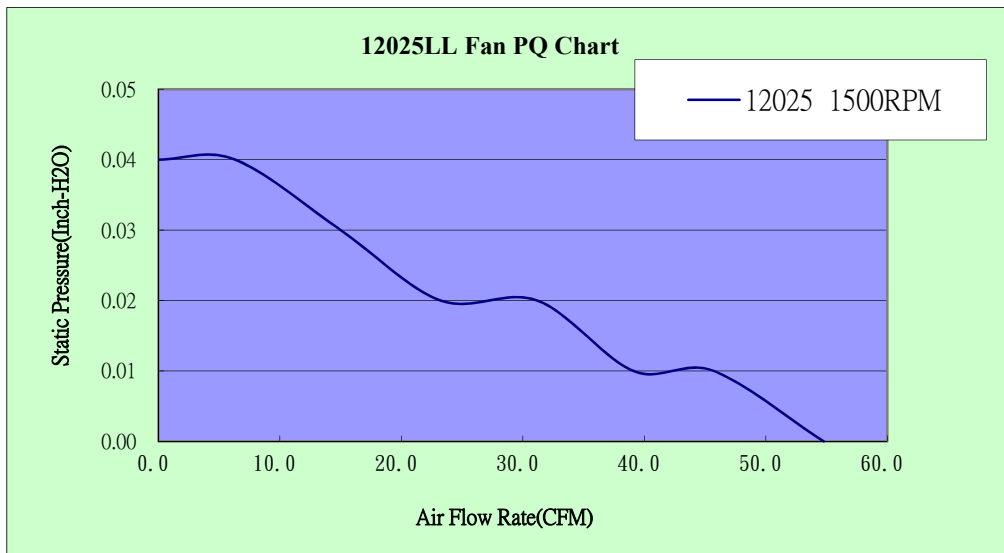


# VIII. Sensor Circuit System

Speed Sensor / Tachometer ( FG/F )



# IX. P/Q Performance



	Q(cfm)	Ps(InchH2o)
1	0.000	0.040
2	6.338	0.040
3	15.011	0.030
4	23.238	0.020
5	31.199	0.020
6	39.099	0.010
7	45.696	0.010
8	54.765	0.000