



SPECIFICATION FOR APPROVAL

CUSTOMER: Platan

EVERCOOL MODEL NO: EC12025H12B

CUSTOMER MODEL NO: EC12025H12B

DESCRIPTION: DC12V FAN

| | |
|-------------------------------------|-----------------|
| APPROVED BY (AUTHORISED) | APPROVED |
| | Alex |
| | CHECKED |
| | Xiongwei |
| | DRAWN |
| | Chenjie |
| | SALES |
| | Serene |

* Please confirm your acceptance by return fax or mail.

| SPEC NO | ISSUE DATE | EDITION | REVISED DATE |
|-------------|------------|---------|--------------|
| 20230324A01 | 2023/3/24 | A0 | 2023/3/24 |

THE PRODUCTION ACCORD WITH EUROPE UNION ROHS STANDARD

EVERCOOL THERMAL CO., LTD

NO. 123-8, HSING DE RD., SAN-CHUNG CITY,

TAIPEI HSIEN, TAIWAN, R.O.C.

TEL: 886-2-8512-2889 FAX: 886-2-8512-2890

[URL:www.evercool.com.tw](http://www.evercool.com.tw)

[EMAIL: coolest@ms14.hinet.net](mailto:coolest@ms14.hinet.net)

I. GENERAL SPECIFICATION

| Item | Specification |
|----------------------------|--------------------|
| 1.Part NO. | EC12025H12B |
| 2.Outline Dimension | 120*120*25 |
| 3.Rated Voltage | 12 VDC |
| 4.Starting Voltage | 7 VDC |
| 5.Operating Voltage Range | 7 VDC~ 12 VDC |
| 6.Rated Current* | 0.65 A |
| 7.Rated Power Consumption* | 7.8 W |
| 8.Rated Speed* | 2600 RPM ± 15% |
| 9.Max. Airflow** | 96.15 CFM(ft3/min) |
| 10.Max. Static Pressure** | 0.3 In-H2O |
| 11.Noise Level*** | <43.6 dB(A) |
| 12.Life Expectancy | 50000 hrs at 25°C |
| 13.No of Polarity | 4 Poles |
| 14.Direction of Rotation | Counter-Clockwise |

Noted:

***Input Current Speed Power Consumption**

Measured after continuous 30 minutes operation at rated voltage in free air at ambient temperature of 25 °C, 65% relative humidity

****Performance**

Measured with use of double chamber. The value are recorded when the fan speed is stabilized at rated voltage.

*****Noise Level**

Measured at rated voltage in a semi-anechoic chamber with background noise below than 20 dB(A). The measuring distance is in one meter from microphone to inlet of the fan.

II. ELECTRICAL SPECIFICATION

| Item | | Specification |
|-------------------------|-------|---|
| 1.Polarity Protection | ✓ YES | Be capable of endurance when Vcc & GRD are exchanged |
| | NO | |
| 2.Auto restart | ✓ YES | Locked motor protection |
| | NO | |
| 3.Insulation Resistance | | 10MΩ/b/w unshielded wire and frame at 500 VDC/min |
| 4.Dielectric Strength | | 5Ma Max./Measured b/w lead wire and frame at 500VAC/min |

III. MAIN MATERIALS / PARTS SPECIFICATION

| Item | | Specification | | | | |
|--------------------------|---|-----------------------------------|-----|------|-----|-----|
| 1.Materials of Frame | | Thermoplastic PBT of UL 94V-0(BK) | | | | |
| 2.Materials of Fan Blade | | | | | | |
| 3.Bobbin | | | | | | |
| 4.Bearing | ✓ | Dual ball bearing | | | | |
| | | 1 ball & 1 sleeve bearing | | | | |
| | | Sleeve bearing | | | | |
| | | EL bearing | | | | |
| 5.Lead wire | ✓ | Red (+) | UL# | 1007 | 26 | AWG |
| | ✓ | Black (-) | UL# | 1007 | 26 | AWG |
| | | | | --- | | |
| | | | | | --- | |
| 6.Connector | | 2510 2P | | | | |

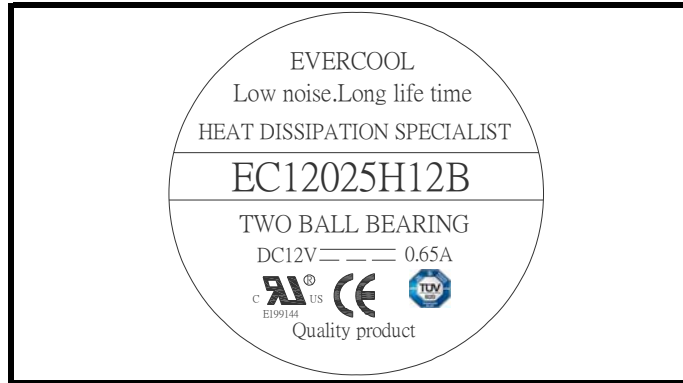
IV. ENVIRONMENT SPECIFICATION

| Item | Specification |
|-------------------------|---|
| 1.Operation Temperature | -10°C ~+70°C/66%(RH), high / low temperature test for 24 hours, temperature change: 30°C/hours. |
| 2.Storage Temperature | -40°C ~+70°C/66%(RH), high / low temperature test for 24 hours, temperature change: 30°C/hours. |

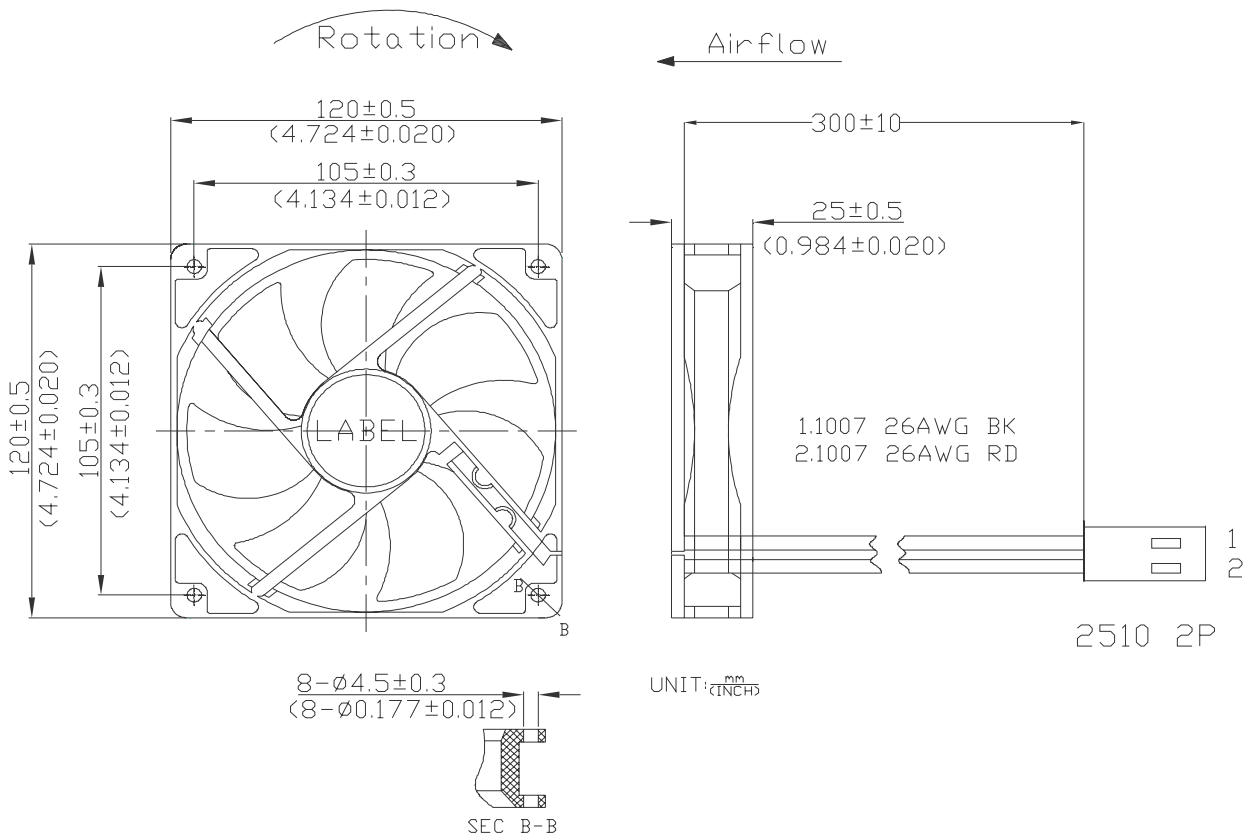
V. DROPPING TEST

Prepared in minimum packing condition, fan will withstand one drop each on three surfaces from 30 cm height onto a 10mm thick hard wooden board.

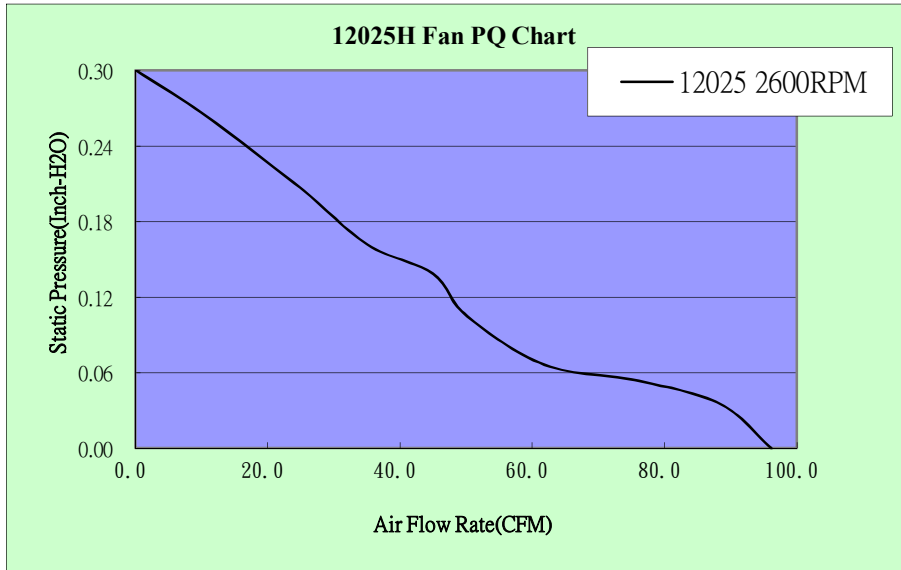
VI. LABEL MARKING



VII. OUTLINE DIMENSION



VIII. P/Q Performance



| | Q(cfm) | Ps(InchH2o) |
|----|--------|-------------|
| 1 | 0.000 | 0.300 |
| 2 | 10.489 | 0.265 |
| 3 | 24.826 | 0.207 |
| 4 | 35.124 | 0.162 |
| 5 | 44.923 | 0.139 |
| 6 | 50.170 | 0.105 |
| 7 | 61.867 | 0.066 |
| 8 | 76.118 | 0.053 |
| 9 | 88.488 | 0.035 |
| 10 | 96.152 | 0.000 |