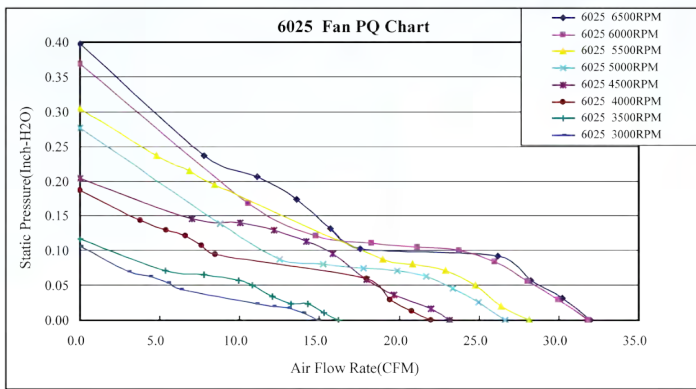


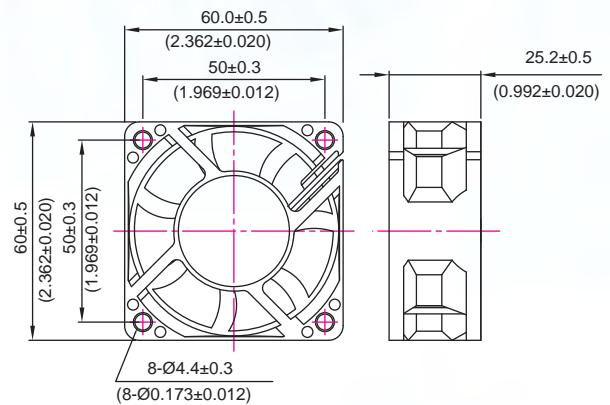
## 6025 series 60x60x25 mm



### P&Q Curve



### Dimensions Drawing



UNIT:MM/(INCH)


### Specifications

Model	Rated Voltage (VDC)	Rated Current (AMP)	Power Consumption (WATTS)	Speed Reference (RPM)	Air Flow (CFM)	Static Pressure (Inch-H <sub>2</sub> O)	Noise (dBA)
EC6025TH12X	12	0.44	5.28	6500	31.97	0.4	<41
EC6025HH12X	12	0.38	4.56	6000	31.81	0.37	<39
EC6025MH12X	12	0.32	3.84	5500	28.16	0.31	<38.1
EC6025H12X	12	0.24	2.88	5000	26.63	0.28	<36
EC6025M12X	12	0.2	2.4	4500	23.17	0.21	<32
EC6025L12X	12	0.16	1.92	4000	22.01	0.19	<28
EC6025LL12X	12	0.12	1.44	3500	16.19	0.12	<24
EC6025SL12X	12	0.08	0.96	3000	14.88	0.11	<20.7
EC6025TH24X	24	0.24	5.76	6500	31.97	0.4	<41
EC6025HH24X	24	0.2	4.8	6000	31.81	0.37	<39
EC6025MH24X	24	0.16	3.84	5500	28.16	0.31	<38.1
EC6025H24X	24	0.14	3.36	5000	26.63	0.28	<36
EC6025M24X	24	0.12	2.88	4500	23.17	0.21	<32
EC6025L24X	24	0.1	2.4	4000	22.01	0.19	<28
EC6025LL24X	24	0.08	1.92	3500	16.19	0.12	<24

- ▶ Material: impeller & Frame: Plastic (UL 94V-0)
- ▶ Lead Wires: UL 1007 AWG #26 Or Equivalent  
Red Wire Positive(+), Black Wire Negative(-), Yellow Wire Or Blue Wire Signal(FG)
- ▶ Function type is optional.

- ▶ The max air flow and the speed are measured in free air; max air pressure is measured at zero air flow.
- ▶ Noise is measured in anechoic chamber in free air, one meter from intake side.
- ▶ All readings are typical values at rated voltage.
- ▶ Specifications are subject to change without notice.
- ▶ Additional special function may be added according the requirement of customer.

Model Type: EC-6025xxxx  
 Dimension : 60 x 60 x 25 mm

	Voltage	5V			12V		24V		
					✓		✓		
	Fan Speed	SL	LL	L	M	H	MH	HH	TH
		3000	3500	4000	4500	5000	5500	6000	6500
	Certificate	UL			CE		TUV		
✓			✓		✓				
Bearing Type	Sleeve			1 Ball	2 Ball	EL			
	✓			✓	✓	✓			

Model	Voltage VDC	Current AMP	Input Watts	Fan Speed RPM	AirFlow CFM	Pressure InchH <sub>2</sub> O	Noise dBA	Life Hour
EC6025TH12B	12	0.44	5.28	6500	31.97	0.4	<41	50000
EC6025TH12C								35000
EC6025TH12S								25000
EC6025TH12E								40000
EC6025HH12B	12	0.38	4.56	6000	31.81	0.37	<39	50000
EC6025HH12C								35000
EC6025HH12S								25000
EC6025HH12E								40000
EC6025MH12B	12	0.32	3.84	5500	28.16	0.31	<38.1	50000
EC6025MH12C								35000
EC6025MH12S								25000
EC6025MH12E								40000
EC6025H12B	12	0.24	2.88	5000	26.63	0.28	<36	50000
EC6025H12C								35000
EC6025H12S								25000
EC6025H12E								40000
EC6025M12B	12	0.2	2.4	4500	23.17	0.21	<32	50000
EC6025M12C								35000
EC6025M12S								25000
EC6025M12E								40000
EC6025L12B	12	0.16	1.92	4000	22.01	0.19	<28	50000
EC6025L12C								35000
EC6025L12S								25000
EC6025LL12E								40000
EC6025LL12B	12	0.12	1.44	3500	16.19	0.12	<24	50000
EC6025LL12C								35000
EC6025LL12S								25000
EC6025LL12E								40000
EC6025SL12B	12	0.08	0.96	3000	14.88	0.11	<20.7	50000
EC6025SL12C								35000
EC6025SL12S								25000
EC6025SL12E								40000
EC6025TH24B								50000

EC6025TH24C	24	0.24	5.76	6500	31.97	0.4	<41	35000
EC6025TH24S								25000
EC6025TH24E								40000
EC6025HH24B	24	0.2	4.8	6000	31.81	0.37	<39	50000
EC6025HH24C								35000
EC6025HH24S								25000
EC6025HH24E								40000
EC6025MH24B	24	0.16	3.84	5500	28.16	0.31	<38.1	50000
EC6025MH24C								35000
EC6025MH24S								25000
EC6025MH24E								40000
EC6025H24B	24	0.14	3.36	5000	26.63	0.28	<36	50000
EC6025H24C								35000
EC6025H24S								25000
EC6025H24E								40000
EC6025M24B	24	0.12	2.88	4500	23.17	0.21	<32	50000
EC6025M24C								35000
EC6025M24S								25000
EC6025M24E								40000
EC6025L24B	24	0.1	2.4	4000	22.01	0.19	<28	50000
EC6025L24C								35000
EC6025L24S								25000
EC6025L24E								40000
EC6025LL24B	24	0.08	1.92	3500	16.19	0.12	<24	50000
EC6025LL24C								35000
EC6025LL24S								25000
EC6025LL24E								40000

**E--EL bearing, B -- Two ball bearing , C -- One ball One sleeve bearing, S -- Sleeve bearing**