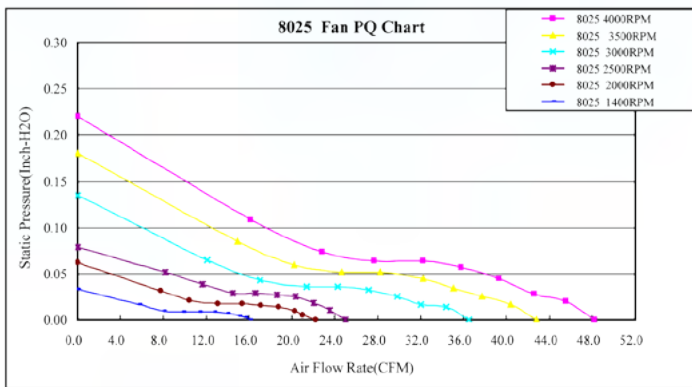


EVERCOOL

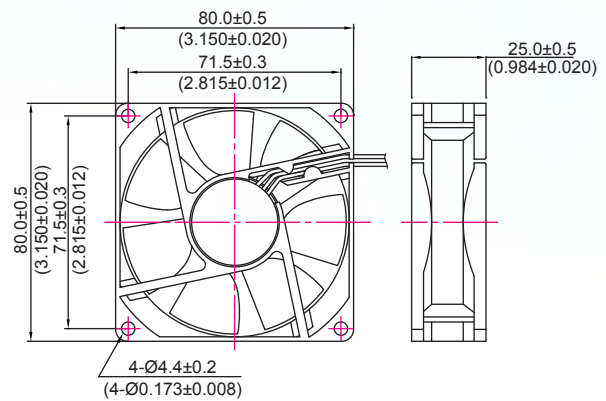
8025 series 80x80x25 mm



P&Q Curve



Dimensions Drawing



UNIT:MM/(INCH)

Specifications

Model	Rated Voltage (VDC)	Rated Current (AMP)	Power Consumption (WATTS)	Speed Reference (RPM)	Air Flow (CFM)	Static Pressure (Inch-H ₂ O)	Noise (dBA)
EC8025TH12X	12	0.34	4.08	4000	48.22	0.22	<37
EC8025HH12X	12	0.28	3.36	3500	42.83	0.18	<35
EC8025H12X	12	0.16	1.92	3000	36.48	0.14	<33
EC8025M12X	12	0.11	1.32	2500	25.02	0.08	<28
EC8025L12X	12	0.08	0.96	2000	22.26	0.06	<23
EC8025LL12X	12	0.06	0.72	1400	16.06	0.03	<15.3
EC8025SL12X	12	0.05	0.6	1200	14.61	0.03	<11.9
EC8025TH24X	24	0.22	5.28	4000	48.22	0.22	<37
EC8025HH24X	24	0.18	4.32	3500	42.83	0.18	<35
EC8025H24X	24	0.14	3.36	3000	36.48	0.14	<33
EC8025M24X	24	0.1	2.4	2500	25.02	0.08	<28
EC8025L24X	24	0.06	1.44	2000	22.26	0.06	<23

- ▶ Material: impeller & Frame: Plastic (UL 94V-0)
- ▶ Lead Wires: UL 1007 AWG #26 Or Equivalent
Red Wire Positive(+), Black Wire Negative(-), Yellow Wire Or Blue Wire Signal(FG)
- ▶ Function type is optional.

- ▶ The max air flow and the speed are measured in free air; max air pressure is measured at zero air flow.
- ▶ Noise is measured in anechoic chamber in free air, one meter from intake side.
- ▶ All readings are typical values at rated voltage.
- ▶ Specifications are subject to change without notice.
- ▶ Additional special function may be added according to the requirement of customer.

Model Type : EC-8025xxxx
 Dimension : 80 x 80 x 25 mm



Voltage	5V			12V		24V	
				✓		✓	
Fan Speed	SL	LL	L	M	H	HH	TH
	1200	1500	2000	2500	3000	3500	4000
Certificate	UL			CE		TUV	
	✓			✓		✓	
Bearing Type	Sleeve			1 Ball	2 Ball	EL	
	✓			✓	✓	✓	

Model	Voltage VDC	Current AMP	Input Watts	Fan Speed RPM	AirFlow (Max) CFM	Pressure InchH ₂ O	Noise dBA	Life Hour
EC8025TH12B	12	0.34	4.08	4000	48.22	0.22	<37	50000
EC8025TH12C								35000
EC8025TH12S								25000
EC8025TH12E								40000
EC8025HH12B	12	0.28	3.36	3500	42.83	0.18	<35	50000
EC8025HH12C								35000
EC8025HH12S								25000
EC8025HH12E								40000
EC8025H12B	12	0.16	1.92	3000	36.48	0.14	<33	50000
EC8025H12C								35000
EC8025H12S								25000
EC8025H12E								40000
EC8025M12B	12	0.11	1.32	2500	25.02	0.08	<28	50000
EC8025M12C								35000
EC8025M12S								25000
EC8025M12E								40000
EC8025L12B	12	0.08	0.96	2000	22.26	0.06	<23	50000
EC8025L12C								35000
EC8025L12S								25000
EC8025L12E								40000
EC8025LL12B	12	0.06	0.72	1400	16.06	0.03	<15.3	50000
EC8025LL12C								35000
EC8025LL12S								25000
EC8025LL12E								40000
EC8025SL12B	12	0.05	0.6	1200	14.61	0.03	<11.9	50000
EC8025SL12C								35000
EC8025SL12S								25000
EC8025SL12E								40000
EC8025TH24B	24	0.22	5.28	4000	48.22	0.22	<37	50000
EC8025TH24C								35000
EC8025TH24S								25000
EC8025TH24E								40000
EC8025HH24B								50000

EC8025HH24C	24	0.18	4.32	3500	42.83	0.18	<35	35000
EC8025HH24S								25000
EC8025HH24E								40000
EC8025H24B	24	0.14	3.36	3000	36.48	0.14	<33	50000
EC8025H24C								35000
EC8025H24S								25000
EC8025H24E								40000
EC8025M24B	24	0.1	2.4	2500	25.02	0.08	<28	50000
EC8025M24C								35000
EC8025M24S								25000
EC8025M24E								40000
EC8025L24B	24	0.06	1.44	2000	22.26	0.06	<23	50000
EC8025L24C								35000
EC8025L24S								25000
EC8025L24E								40000

E--EL bearing, B -- Two ball bearing , C -- One ball One sleeve bearing, S -- Sleeve bearing