



SPECIFICATION FOR APPROVAL

CUSTOMER: CHIP

EVERCOOL MODEL NO: EC9225TH12B-II

CUSTOMER MODEL NO: EC9225TH12B-II

DESCRIPTION: DC12V FAN

APPROVED BY (AUTHORISED)	APPROVED
	Alex
	CHECKED
	Guoruihua
	DRAWN
	Libingbing
	SALES
	Teddy

* Please confirm your acceptance by return fax or mail.

SPEC NO	ISSUE DATE	EDITION	REVISED DATE
20150529A02	2015/5/29	A0	2015/5/29

EVERCOOL THERMAL CO., LTD

NO. 123-8, HSING DE RD., SAN-CHUNG CITY,

TAIPEI HSIEN, TAIWAN, R.O.C.

TEL: 886-2-8512-2889 FAX: 886-2-8512-2890

I. GENERAL SPECIFICATION

Item	Specification
1.Part NO.	EC9225TH12B
2.Outline Dimension	92*92*25
3.Rated Voltage	12 VDC
4.Starting Voltage	7 VDC
5.Operating Voltage Range	7 VDC~ 13.8 VDC
6.Rated Current*	0.4 A(Max)
7.Rated Power Comsumption*	4.8 W
8.Rated Speed*	3400 RPM±15%
9.Max. Airflow**	67.47 CFM(ft3/min)
10.Max. Static Pressure**	0.18 In-H2O
11.Noise Level***	<30.8 dB(A)
12.Life Expectancy	50000 hrs at25°C
13.No of Polarity	4 Poles
14.Direction of Rotation	Counter-Clockwise

Noted:

***Input Current Speed Power Comsumption**

Measured after continuous 30 minutes operation at rated voltage in free air at ambient temperature of 25 °C, 65% relative humidity

****Performance**

Measured with use of double chamber. The value are recorded when the fan speed is stabilized at rated voltage.

*****Noise Level**

Measured at rated voltage in a semi-anechoic chamber with background noise below than 17 dB(A). The measuring distance is in one meter from microphone to inlet of the fan.

II. ELECTRICAL SPECIFICATION

Item		Specification
1.Polarity Protection	✓YES	Be capable of endurance when Vcc & GRD are exchanged
	NO	
2.Auto restart	✓YES	Locked motor protection
	NO	
3.Insulation Resistance		10MΩ/b/w unshielded wire and frame at 500 VDC/min
4.Dielectric Strength		5Ma Max./Measured b/w lead wire and frame at 500VAC/min

III. MAIN MATERIALS / PARTS SPECIFICATION

Item	Specification					
1.Frame	PBT E202G OR CCP PBT 4830BK UL 94V-0					
2.Impeller						
3.Bobbin						
4.Bearing	✓	Dual ball bearing				
		1 ball & 1 sleeve bearing				
		Sleeve bearing				
		EL bearing				
5.Lead wire	✓	Red (+)	UL#	1007	26	AWG
	✓	Black (-)	UL#	1007	26	AWG

6.Connector	2510 2P					

IV. ENVIRONMENT SPECIFICATION

Item	Specification
1.Operation Temperature	-10°C~+70°C/66%(RH), high / low temperature test for 24 hours, temperature change: 30°C /hours.
2.Storage Temperature	-40°C~+70°C/66%(RH), high / low temperature test for 24 hours, temperature change: 30°C /hours.

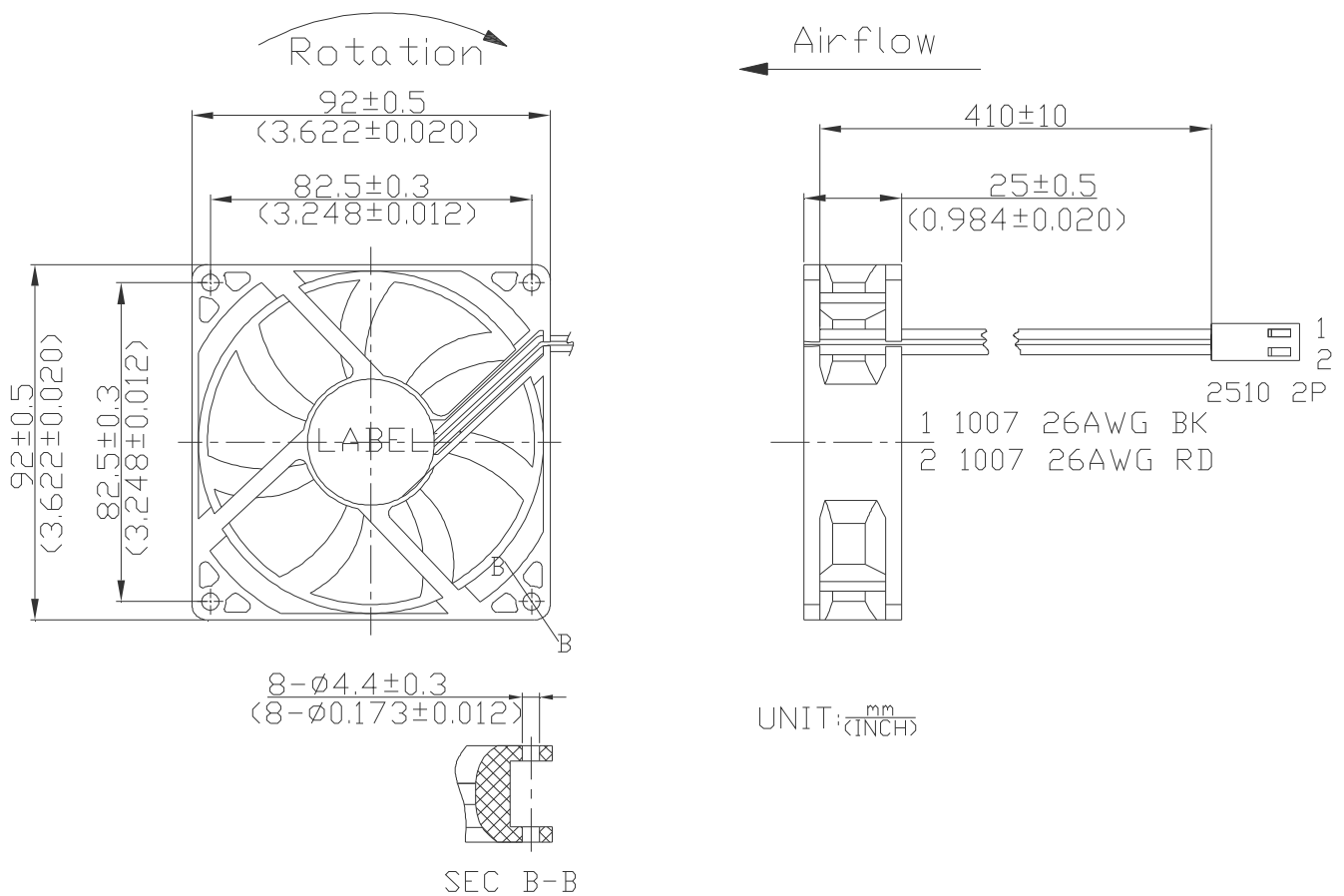
V. DROPPING TEST

Prepared in minimum packing condition, fan will withstand one drop each on three surfaces from 30 cm height onto a 10mm thick hard wooden board.

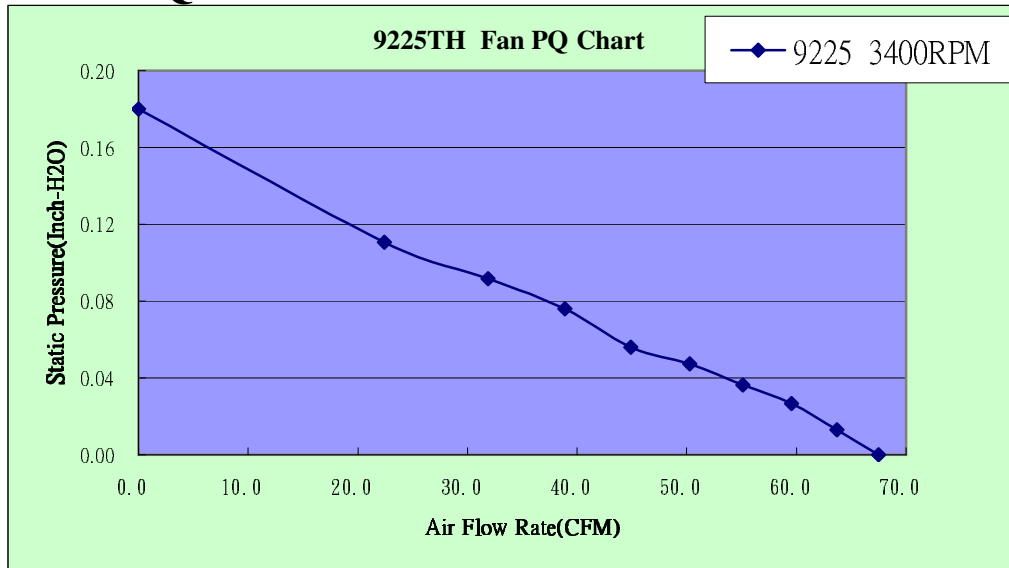
VI. LABEL MARKING



VII. OUTLINE DIMENSION



VIII. P/Q Performance



	Q(cfm)	Ps(InchH2o)
1	0.000	0.180
2	22.428	0.111
3	31.905	0.092
4	38.866	0.076
5	44.899	0.056
6	50.273	0.047
7	55.132	0.037
8	59.558	0.027
9	63.677	0.013
10	67.470	0.000